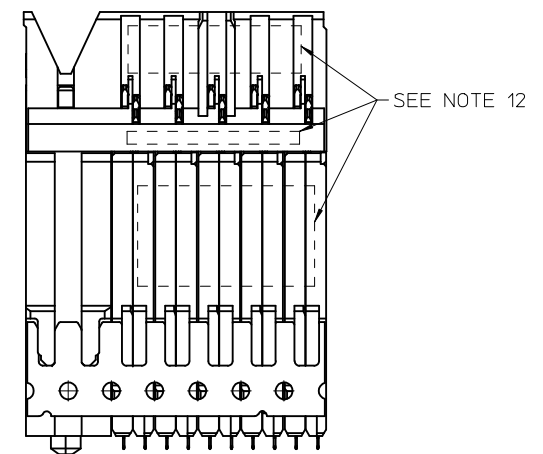
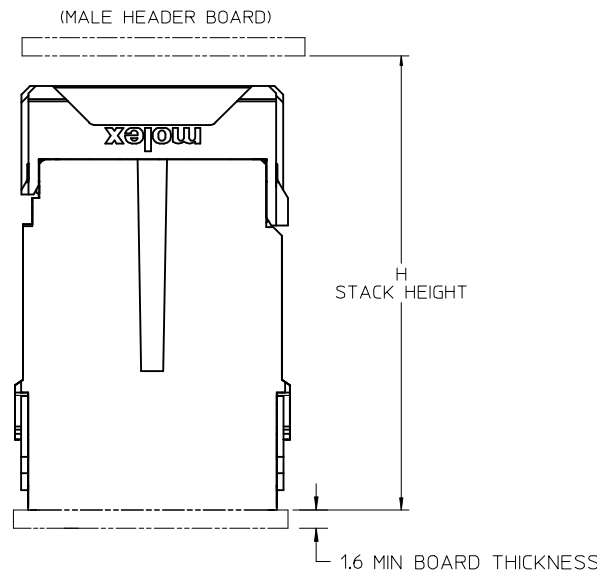
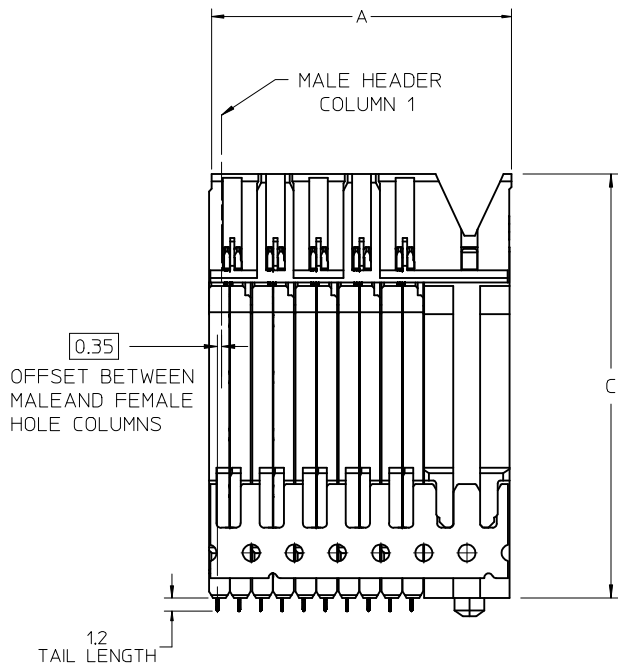


NO KEYED OPTION SHOWN

NOTES:

1. MATERIALS: HOUSING - LIQUID CRYSTAL POLYMER (LCP), GLASS FILLED, UL94V-0
TERMINALS - HIGH PERFORMANCE COPPER ALLOY
2. FINISH: 30 uin MIN SELECTIVE GOLD IN CONTACT AREA.
SELECTIVE MATTE TIN ON PCB TAILS, NICKEL OVERALL.
3. EACH SIGNAL WAFER CONTAINS TWO COLUMNS OF TERMINALS.
4. PARTS SHALL BE PACKAGED IN TRAYS PER PACKAGING SPEC PK-70873-0040 (40mm)
OR PK-70873-0043 (38mm).
5. FOR FURTHER INFORMATION SEE PRODUCT SPECIFICATION PS-76060-999
6. THIS PART CONFORMS TO CLASS B REQUIREMENTS OF COSMETIC SPECIFICATION
PS-45499-002.
7. PART SHOWN HAS AN OVERALL STACK HEIGHT OF 40mm. VARYING STACK HEIGHTS
MAY BE AVAILABLE UPON REQUEST.
8. REFER TO MOLEX SALES DRAWING SD-76055-003 FOR THE MATING HEADERS.
9. REFER TO MOLEX PCB ROUTING GUIDE AS-76060-990 FOR ANTI PAD AND ROUTING
RECOMMENDATIONS.
10. CONNECTORS SUPPLIED WITH A MOUNTING SCREW.
11. "THESE DIMENSIONS REPRESENT THE AREA NEEDED TO ACCOMMODATE CONNECTOR
INSERTION & REPAIR ON THE PC BOARD. THIS IS REFERRED TO AS THE
"CONNECTOR KEEP OUT ZONE" AND DOES NOT REPRESENT THE ACTUAL PERIMETER
OF THE CONNECTOR. WHEN LAYING OUT A PC BOARD WITH CONNECTORS STACKED
TOGETHER, USE A 1.90mm PROGRESSION."
12. MARKING: LOCATED APPROXIMATELY AS SHOWN. PART NUMBER AND DATE CODE.



ADD LASER MARK INFO EC NO: UCP2016-3973 DRWNG:VARVARA 2015/08/24 CHKD:TELO 2016/02/22 APPR:TELO 2016/04/20	QUALITY SYMBOLS ▽=0 ▽=0 ▽=0	GENERAL TOLERANCES (UNLESS SPECIFIED)		DIMENSION STYLE MM ONLY	SCALE 3:1	DESIGN UNITS METRIC	THIRD ANGLE PROJECTION		
		4 PLACES ± --- ± ---	3 PLACES ± --- ± ---	2 PLACES ± 0.13 ± ---	1 PLACE ± 0.25 ± ---	0 PLACE ± --- ± ---	TITLE IMPACT 5-PAIR VERTICAL MEZZANINE RIGHT GUIDED SALES DWG		
		ANGULAR ±1/2°		MATERIAL NO. SEE TABLE		DOCUMENT NO. SD-76530-004			SHEET NO. 1 OF 2
		DRAFT WHERE APPLICABLE MUST REMAIN WITHIN DIMENSIONS		THIS DRAWING CONTAINS INFORMATION THAT IS PROPRIETARY TO MOLEX INCORPORATED AND SHOULD NOT BE USED WITHOUT WRITTEN PERMISSION					

PART NUMBER	# OF COLUMNS	# OF DIFF PAIR	DIM "A"	DIM "B"	DIM "C"	STACK HEIGHT (H)
76530-***30	10	50	26.6	17.10	35.36	38.00
76530-***32	12	60	30.4	20.90	35.36	38.00
76530-***37	14	70	34.2	24.70	35.36	38.00
76530-***36	16	80	38.0	28.50	35.36	38.00
76530-***40	10	50	26.6	17.10	37.36	40.00
76530-***42	12	60	30.4	20.90	37.36	40.00
76530-***47	14	70	34.2	24.70	37.36	40.00
76530-***46	16	80	38.0	28.50	37.36	40.00

76530-****

MODULE & TAIL PLATING TYPE
5 = RIGHT GUIDED LEAD-FREE

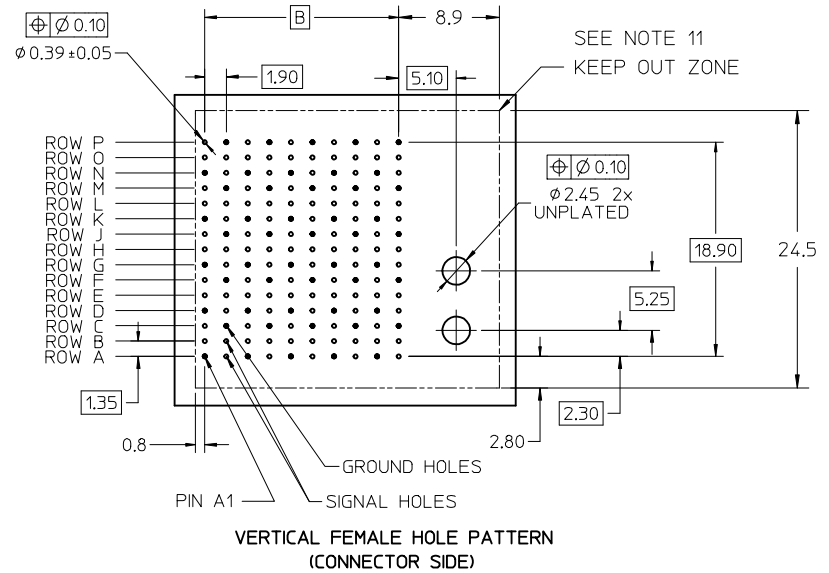
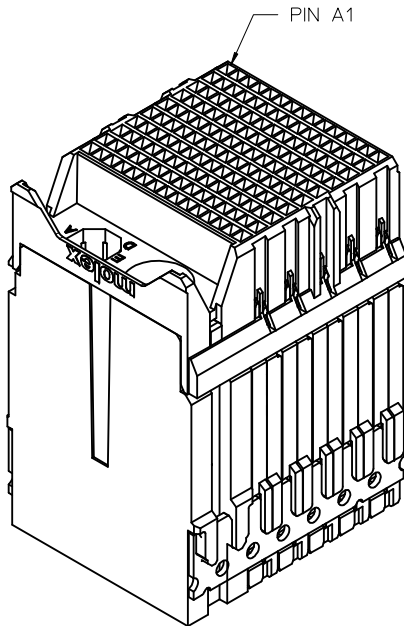
OF COLUMNS
0 = 10 COL MICRO COMPLIANT
2 = 12 COL MICRO COMPLIANT
6 = 16 COL MICRO COMPLIANT
7 = 14 COL MICRO COMPLIANT

POLARIZATION KEY ORIENTATION

0 = NO KEY
1 = A 5 = E
2 = B 6 = F
3 = C 7 = G
4 = D 8 = H

STACK HEIGHT
3 = 38mm
4 = 40mm

10 COLUMN
40 MM STACK HEIGHT



SEE SHEET 1 EC NO: UCP2016-3973 DRWNG: VYARARA 2015/08/24 CHKD: TELO 2016/02/22 APPR: TELO 2016/04/20	QUALITY SYMBOLS 	GENERAL TOLERANCES (UNLESS SPECIFIED)		DIMENSION STYLE MM ONLY		SCALE 3:1	DESIGN UNITS METRIC	THIRD ANGLE PROJECTION		
		4 PLACES	± ---	± ---	DRAWN BY JJONIAK	DATE 2008/10/13	TITLE IMPACT 5-PAIR VERTICAL MEZZANINE RIGHT GUIDED SALES DWG 			
		3 PLACES	± ---	± ---	CHECKED BY TELO	DATE 2008/10/13				
		2 PLACES	± 0.13	± ---	APPROVED BY JLAURX		DATE 2010/11/04	DOCUMENT NO. SD-76530-004		SHEET NO. 2 OF 2
1 PLACE	± 0.25	± ---	DRAFT WHERE APPLICABLE MUST REMAIN WITHIN DIMENSIONS		SIZE C	THIS DRAWING CONTAINS INFORMATION THAT IS PROPRIETARY TO MOLEX INCORPORATED AND SHOULD NOT BE USED WITHOUT WRITTEN PERMISSION				
0 PLACE	± ---	± ---	ANGULAR ±1/2°							