

MATERIAL NUMBER	# OF COLUMNS	# OF DIFF PAIR	DIM 'A' MAX	DIM 'B'	PTH $\phi$
76495-#8**	8	32	22.80	13.30	0.46±0.05
76495-#8**					0.39±0.05
76495-#1**	10	40	26.60	17.10	0.46±0.05
76495-#1**					0.39±0.05
76495-#2**	12	48	30.40	20.90	0.46±0.05
76495-#2**					0.39±0.05
76495-#7**	14	56	34.20	24.70	0.46±0.05
76495-#7**					0.39±0.05
76495-#6**	16	64	38.00	28.50	0.46±0.05
76495-#6**					0.39±0.05

### 76495-\*\*\*\*

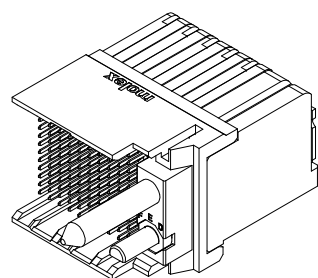
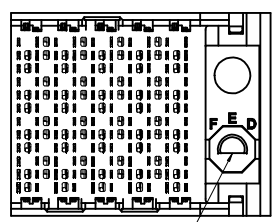
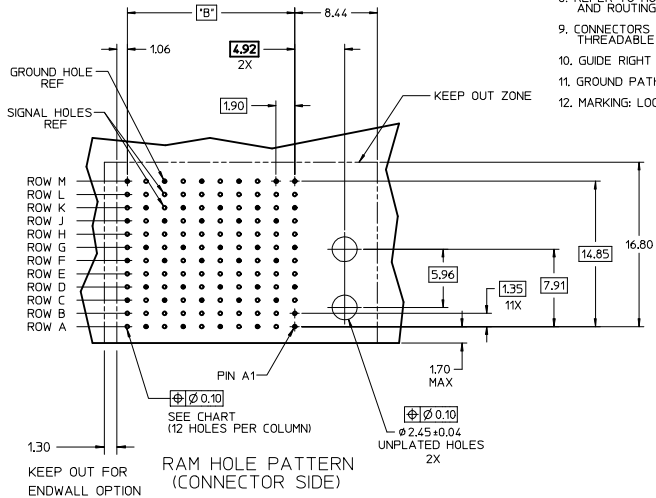
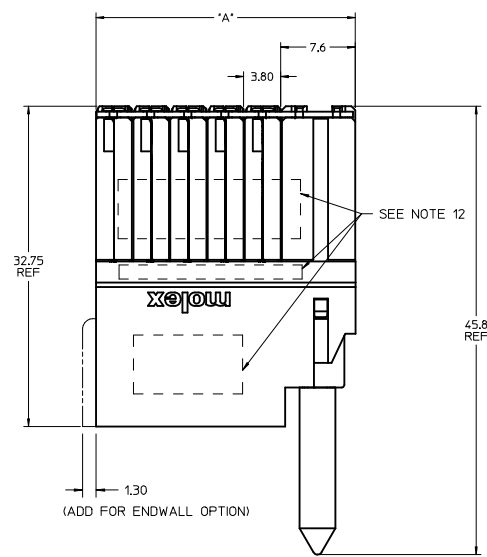
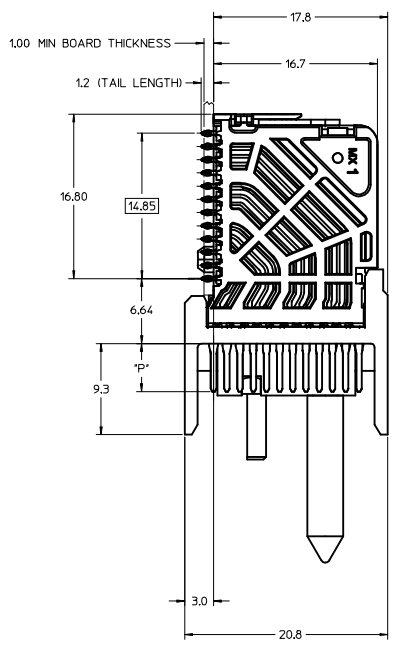
MODULE TYPE  
 5 = RIGHT GUIDED, LEAD-FREE  
 9 = RIGHT GUIDED, LEAD-FREE W/ ENDWALL

# OF COLUMNS  
 1 = 10 COLUMNS  
 2 = 12 COLUMNS  
 6 = 16 COLUMNS  
 7 = 14 COLUMNS  
 8 = 8 COLUMNS

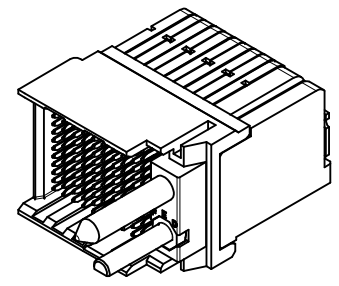
PIN LENGTH (P)  
 4 = 4.90 (10.46 PTH)  
 5 = 5.50 (10.46 PTH)  
 7 = 4.90 (10.39 PTH)  
 8 = 5.50 (10.39 PTH)

KEY ORIENTATION  
 0 = NO KEY  
 1 = A    5 = E  
 2 = B    6 = F  
 3 = C    7 = G  
 4 = D    8 = H

- NOTES:
- MATERIALS: HOUSING - LIQUID CRYSTAL POLYMER (LCP), GLASS-FILLED, UL94V-0  
TERMINALS - HIGH PERFORMANCE COPPER ALLOY
  - FINISH: 30NM SELECTIVE GOLD IN CONTACT AREA, SELECTIVE TIN ON PCB TAILS, NICKEL OVERALL.
  - REFER TO MOLEX PRODUCT SPECIFICATION PS-170540-999 FOR PERFORMANCE SPECIFICATIONS AND ADDITIONAL PCB INFORMATION.
  - EACH SIGNAL WAFER CONTAINS 2 COLUMNS OF TERMINALS.
  - PRODUCT IS PACKAGED PER PK-70873-041.
  - THIS PART CONFORMS TO CLASS B REQUIREMENTS OF COSMETIC SPEC PS-45499-002.
  - REFER TO MOLEX SALES DRAWING SD-170340-002 FOR THE MATING RECEPTACLES.
  - REFER TO MOLEX PCB ROUTING GUIDE AS-76060-990 FOR ANTIPAD AND ROUTING RECOMMENDATIONS.
  - CONNECTORS SUPPLIED WITH A 2-32 SCREW 73726-0000 (9.5mm ± 0.38mm THREADABLE SCREW LENGTH). THE MAXIMUM BOARD THICKNESS IS 4.4mm.
  - GUIDE RIGHT RAM MATES WITH A GUIDE LEFT DAUGHTER CARD.
  - GROUND PATHS ARE NOT DISCRETE CIRCUITS.
  - MARKING: LOCATED APPROXIMATELY AS SHOWN. PART NUMBER AND DATE CODE.

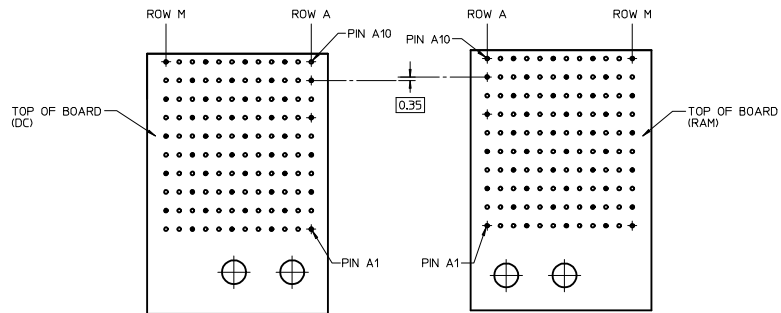


OPEN END OPTION

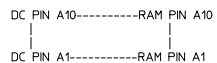


ENDWALL OPTION

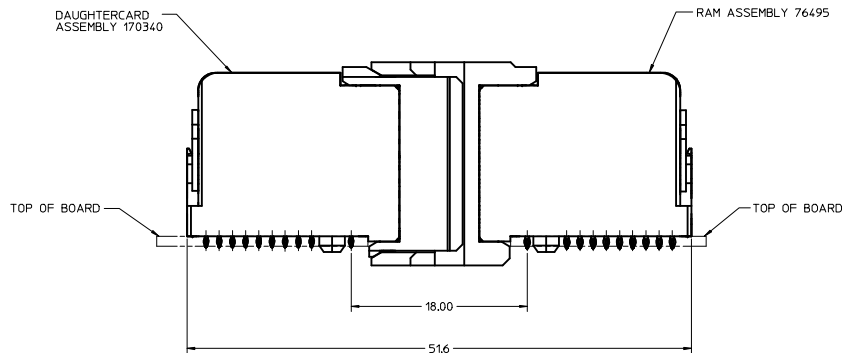
<b>ADD LASER MARK INFO</b> IEC NO: UCP2016-3973 DRAWN BY: DRWINDAVARA CHKD:TELO APPR:TELO DATE: 2016/02/22 DATE: 2016/04/20	<b>QUALITY SYMBOLS</b> ∇=0 ∇=0 ∇=0	<b>GENERAL TOLERANCES (UNLESS SPECIFIED)</b>		<b>DIMENSION STYLE</b> MM ONLY	<b>SCALE</b> 4:1	<b>DESIGN UNITS</b> METRIC	THIRD ANGLE PROJECTION	
		4 PLACES ± mm ± INCH 3 PLACES ± --- ± --- 2 PLACES ± 0.13 ± --- 1 PLACE ± 0.25 ± ---	DRAWN BY: JL AURX DATE: 2010/11/16 CHECKED BY: TELO DATE: 2016/02/22 APPROVED BY: JJONI AK DATE: 2012/11/19	<b>TITLE</b> IMPACT 4 PAIR PLUS 850HM RAM SIGNAL MODULE GUIDE RIGHT SALES DWG		<b>MOLEX INCORPORATED</b>		<b>SHEET NO.</b> 1 OF 2
		DRAFT WHERE APPLICABLE MUST REMAIN WITHIN DIMENSIONS		<b>MATERIAL NO.</b> SEE CHART		<b>DOCUMENT NO.</b> SD-76495-004		<b>SIZE</b> D
		THIS DRAWING CONTAINS INFORMATION THAT IS PROPRIETARY TO MOLEX INCORPORATED AND SHOULD NOT BE USED WITHOUT WRITTEN PERMISSION						



COPLANAR MATED SIGNAL PATHS



COPLANAR APPLICATION



<b>REMOVED PRE MARK</b> ELC NO: UCP2016-3973 DRAWN: VARIARA 2015/07/29 CHECKED: TELO 2016/02/22 APPR: TELO 2016/04/20 REV: A2	QUALITY SYMBOLS	GENERAL TOLERANCES (UNLESS SPECIFIED)	DIMENSION STYLE	SCALE	DESIGN UNITS	THIRD ANGLE PROJECTION
	▽=0	4 PLACES ±0.15	MM ONLY	4:1	METRIC	
	▽=0	3 PLACES ±0.10				
	▽=0	2 PLACES ±0.13				
		1 PLACE ±0.25				
		ANGULAR ±1/2°				
		DRAFT WHERE APPLICABLE MUST REMAIN WITHIN DIMENSIONS				
			DRAWN BY: JL AURX	DATE: 2010/11/16	TITLE: IMPACT 4 PAIR PLUS 850HM RAM SIGNAL MODULE GUIDE RIGHT SALES DWG	
			CHECKED BY: TELO	DATE: 2016/02/22	MOLEX INCORPORATED	
			APPROVED BY: JJONIAK	DATE: 2012/11/19	DOCUMENT NO. SD-76495-004	
			MATERIAL NO.	DATE	SHEET NO. 2 OF 2	
			SIZE: D	THIS DRAWING CONTAINS INFORMATION THAT IS PROPRIETARY TO MOLEX INCORPORATED AND SHOULD NOT BE USED WITHOUT WRITTEN PERMISSION		