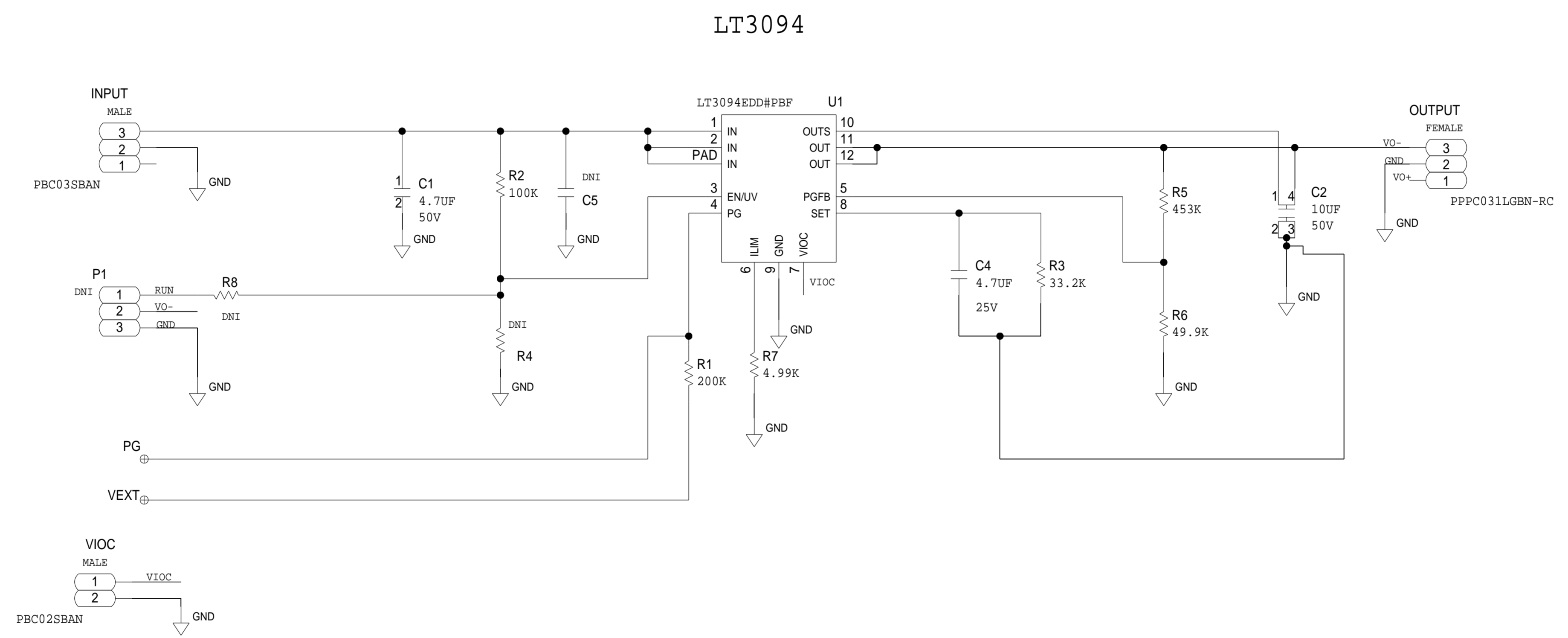




REVISIONS			
REV	DESCRIPTION	DATE	APPROVED



	<b>SCHEMATIC</b>		
	HW TYPE : SCP EVAL-Z Product(s) : LT3094 : LT3094		
	DESIGN VIEW <DESIGN_VIEW>	DRAWING NO. 02_051372	REV B
PTD ENGINEER J. VIERNES	SIZE D	SCALE 1:1	SHEET 2 OF 2