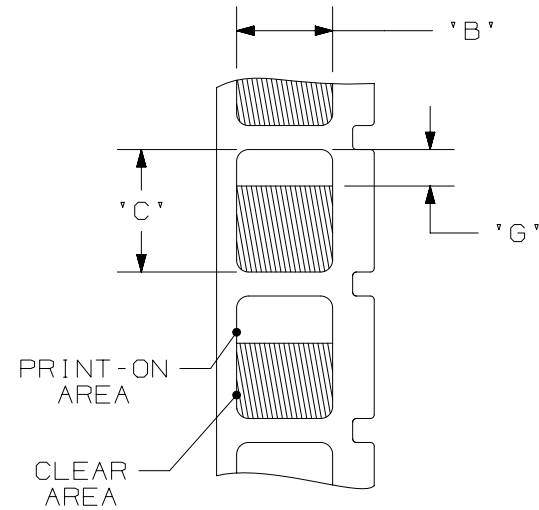
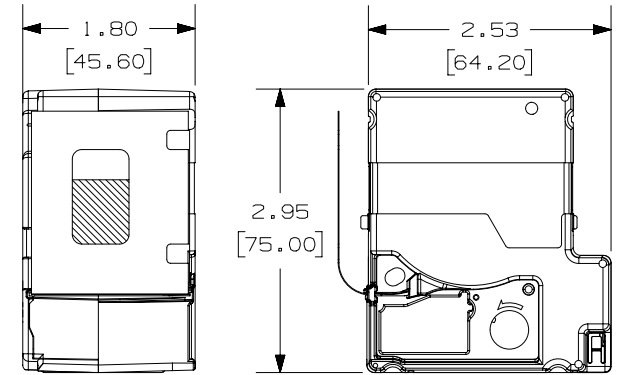


THIS COPY IS PROVIDED ON A RESTRICTED BASIS AND IS NOT TO BE USED IN ANY WAY DETRIMENTAL TO THE INTERESTS OF PANDUIT CORP.

PART NUMBER	POA COLOR	'B'	'C'	'G' +/- .062 [+/-1.57]	CASSETTE LABELS/ROLL
S050X125VAM	WHITE	0.50 [12.7]	1.25 [31.8]	0.380 [9.65]	200
S050X150VAM			1.50 [38.1]	0.500 [12.7]	175
S100X075VAM		1.00 [25.4]	0.75 [19.0]	0.250 [6.35]	300
S100X125VAM			1.250 [31.8]	0.380 [9.7]	200
S100X150VAM			1.50 [38.1]	0.500 [12.7]	175
S100X225VAM			2.25 [57.15]	0.750 [19.05]	125
S100X400VAM			4.00 [101.6]	1.000 [25.4]	70
S100X650VAM		6.50 [165.1]	1.500 [38.1]	45	



REV	DATE	BY	CHK	APR	DESCRIPTION	ECN
00	9/20/19	RVU	JW	JHAC	DRAWING RELEASE.	GAECN04937

TITLE		MP SELF-LAMINATING LABELS		
CUSTOMER DRAWING				
ITEM REVISION NAME		100743XF/00		
DATASET FILE NAME		100743XF_DC/00A		
UNLESS OTHERWISE SPECIFIED, DIMENSIONAL TOLERANCES ARE: IN [mm]		MATERIAL:		
.x ± .1 [2.54] .xxx ± .025 [.635]		GMV17-E		
.xx ± .05 [1.27] ANGLES ± 5		DRAWING NUMBER:		
THIRD ANGLE PROJECTION		I00743XF_DC		
DRAWN BY	DATE	CHK	SCALE	SIZE
RVU	7/10/19	JHAC	NTS	A
SHT 1 OF 1				

D10100DA/20