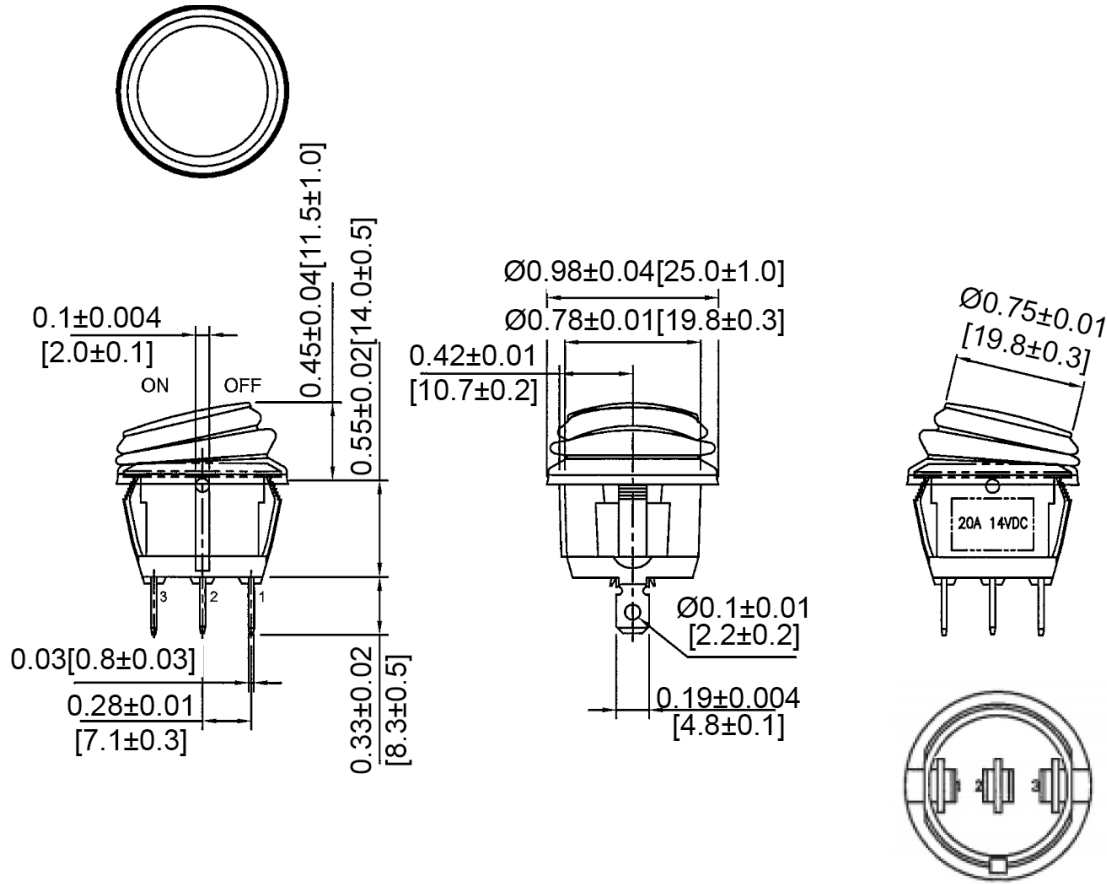
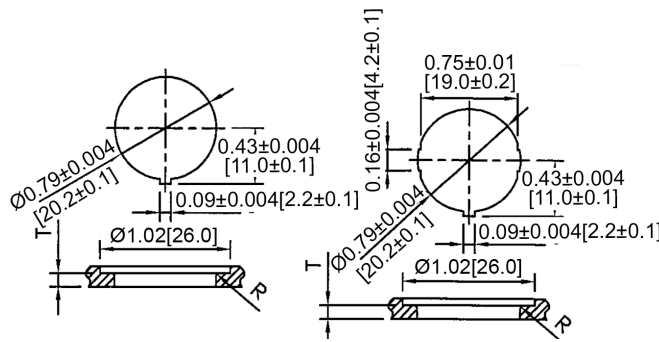


Mechanical Dimensions: Inches [mm]

Tolerances  $\pm 0.012$  [0.3] Unless Otherwise Specified



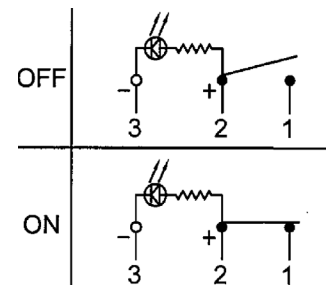
Mounting Hole



Thickness: 0.06~0.1 [1.5~2.5] | 0.03~0.1 [0.7~2.5]

Circuit Diagram

3P SPST OFF-ON (LED-D)



Electrical Specifications

Rating	20A 14V DC
Contact Resistance	50m ohm Max
Insulation Resistance	DC 500V 100M ohm Min
Dielectric Strength	AC 1500V 1 minute
Operation Temperature	-25°C~85°C

Material Specifications

Frame	Black, Nylon 66 (94-V2)
Actuator	Blue Clear, PC (94-V2)
Waterproof Rubber	Black, Silicone IP65
Terminals	Silver plated, Copper Alloy
LED	Blue (Dependent)

Rev	Date of issue	Revision Notes	Designed	Approved
A	07-16-2021	Initial Drawing	RC	OF