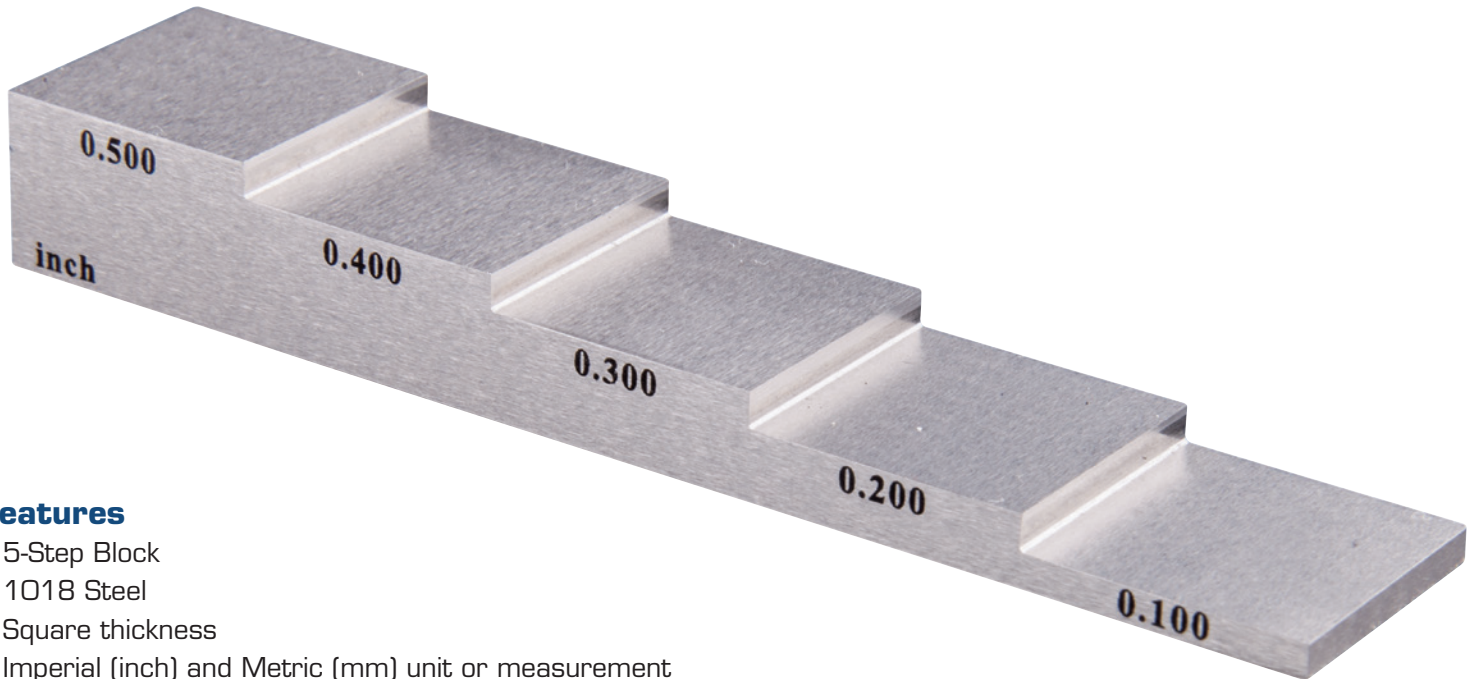


### TECHNICAL DATA



#### Features

- 5-Step Block
- 1018 Steel
- Square thickness
- Imperial (inch) and Metric (mm) unit or measurement

#### Specifications

Block Dimensions:	0.100" (2.54mm)
	0.200" (5.08mm)
	0.300" (7.62mm)
	0.400" (10.16mm)
	0.500" (12.70mm)
Square Thickness Dimension:	0.750" (20mm)

Model	Description
R9060	5-Step Calibration Block
R9060-NIST	5-Step Calibration Block with NIST

