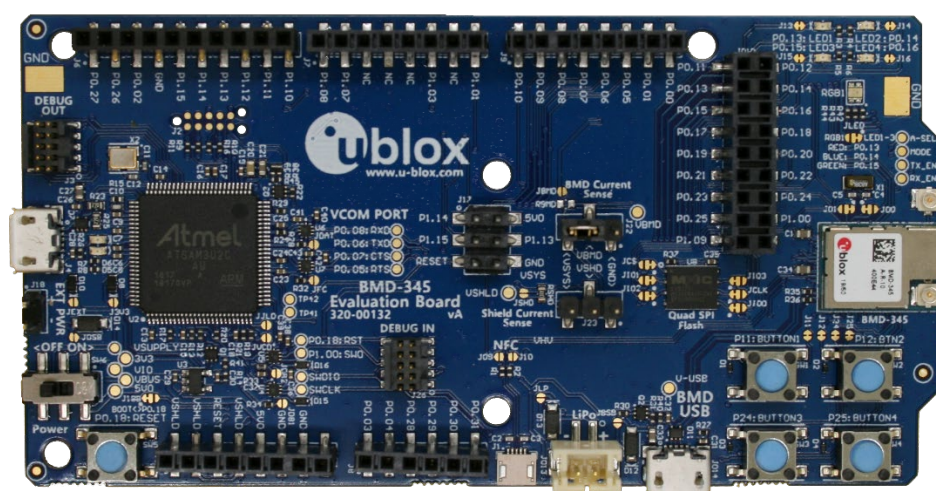


EVK BMD-345

Evaluation kit for BMD-345 module

User guide



Abstract

This document describes how to set up the EVK-BMD-345 evaluation kit to evaluate the BMD-345 modules. It also describes the different options for debugging and the development capabilities included in the evaluation board.

Document information

Title	EVK BMD-345	
Subtitle	Evaluation kit for BMD-345 module	
Document type	User guide	
Document number	UBX-19051533	
Revision and date	R03	16-Apr-2021
Disclosure restriction	C1-Public	

This document applies to the following products:

Product name
BMD-345-Eval

u-blox or third parties may hold intellectual property rights in the products, names, logos and designs included in this document. Copying, reproduction, modification or disclosure to third parties of this document or any part thereof is only permitted with the express written permission of u-blox.

The information contained herein is provided "as is" and u-blox assumes no liability for its use. No warranty, either express or implied, is given, including but not limited to, with respect to the accuracy, correctness, reliability and fitness for a particular purpose of the information. This document may be revised by u-blox at any time without notice. For the most recent documents, visit www.u-blox.com.

Copyright © u-blox AG.

Contents

Document information	2
Contents	3
1 Product description	4
1.1 Key features	4
1.2 Kit includes	5
1.3 Development tools	5
2 Hardware description.....	6
2.1 Power	6
2.1.1 Powering the board	6
2.2 Reset.....	7
2.3 Buttons.....	9
2.4 LEDs.....	9
2.5 Virtual COM port	10
2.6 32 kHz crystal oscillator	10
2.7 NFC connector	11
2.8 Current sensing headers	11
2.9 External SEGGER J-Link™ debug interface	11
2.10 QSPI	13
2.11 GPIO jumpers	13
2.12 Header pin-out.....	14
3 Setting up the evaluation board.....	17
3.1 Set up the tool chain.....	17
3.2 Connect BMD-345 evaluation kit to a computer	18
3.3 Modify an example to enable the PA / LNA.....	20
3.3.1 Example setup.....	20
3.3.2 Example test.....	23
Related documents	26
Revision history	27
Contact.....	28

1 Product description

The BMD-345-EVAL kit provides stand-alone use of the BMD-345 module featuring the Nordic nRF52840 RF System on Chip (SoC) and a Skyworks RFX2411 Power Amplifier / Low Noise Amplifier (PA / LNA).

The evaluation kit provides a great starting point for almost any Bluetooth 5 low energy, Thread, or Zigbee project. All features of the BMD-345 are easily accessed from the evaluation board. A simple USB connection provides power, programming, and a virtual COM port. Four user buttons are available, as well as a USB peripheral connector, user LEDs, and a reset button. 44 GPIO are available on headers that are compatible with the Arduino® form factor. This allows easy use of existing Arduino shields. Current sense resistors allow for measuring current into the module and into the shield.

This guide provides setup instructions for starting development and describes the hardware functionality of the BMD-345-EVAL board.

1.1 Key features

- Used for evaluation of BMD-345 module
- On-board programming and debug (SEGGER J-Link-OB)
- Able to program external modules
- Virtual COM port over USB
- 44 GPIO of the BMD-345 / nRF52840
- Buttons and LEDs for user interaction
- NFC antenna connector
- 32.768 kHz Crystal
- USB peripheral connector
- Multiple power inputs



Figure 1: EVK BMD-345 evaluation board (Top view)

1.2 Kit includes

BMD-345 evaluation kit includes:

- BMD-345 evaluation board
- Micro-USB cable
- NFC antenna
- 2.4 GHz antenna kit

1.3 Development tools

The tools listed below will aid in development with the BMD-345 modules. Not all tools will be required depending on which software suite is used.

Tool	Description
SEGGER Embedded Studio	<p>SEGGER Embedded Studio is an easy-to-use integrated development environment with project management tools, editor and debugger supporting ARM Cortex devices. Full debug support including Real Time Terminal (RTT) output is also available. Available for Windows, macOS, and Linux.</p> <p>Free license for use with the Nordic nRF5 ICs and modules: http://license.segger.com/Nordic.cgi</p>
SEGGER J-Link Software and Documentation Pack	<p>J-Link Commander (JLink.exe) is a command line-based utility that can be used for verifying proper functionality of J-Link as well as for simple analysis of the target system. It supports some simple commands, such as memory dump, halt, step, go etc. to verify the target connection. Available for Windows, macOS, and Linux.</p>
Nordic Semiconductor SDK	<p>The nRF5 SDK is your first stop for building fully featured, reliable and secure applications with the nRF52 and nRF51 series. It offers developers a wealth of varied modules and examples right across the spectrum including numerous Bluetooth Low Energy profiles, Device Firmware Upgrade (DFU), GATT serializer and driver support for all peripherals on all nRF5 Series devices.</p> <p>SDKs for Bluetooth Mesh, Thread, Zigbee and other protocols are also available.</p>
Nordic Semiconductor nRF Connect for Desktop	<p>nRF Connect is a cross-platform tool that enables testing and development with Bluetooth® low energy (previously called Bluetooth Smart). It allows easy setup of connections with other devices and uses these connections to read and write the external nodes. Available for Windows, macOS, and Linux.</p>
Nordic Semiconductor nRF Connect for Mobile	<p>nRF Connect for Mobile, previously known as nRF Master Control Panel, is a powerful generic tool that allows you to scan and explore your Bluetooth low energy devices and communicate with them. nRF Connect for Mobile supports several Bluetooth SIG adopted profiles, as well as the Device Firmware Update profile (DFU) from Nordic Semiconductor or Eddystone from Google. Available for iOS and Android.</p>
Nordic Semiconductor Mobile Apps	<p>Additional mobile utilities for your application development. Available for iOS and Android.</p>

Table 1: Useful tools

2 Hardware description

Design files for the BMD-345 evaluation board may be requested from the [u-blox support team](#).

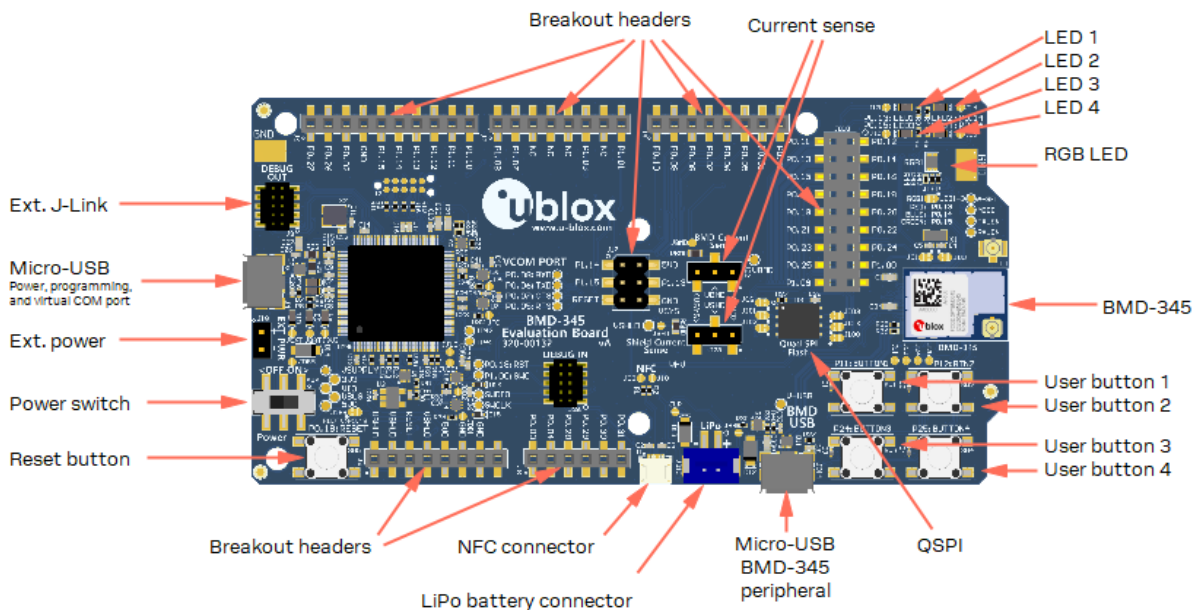


Figure 2: Features (Top view)

2.1 Power

The BMD-345 evaluation board has four possible power sources:

- USB from the debug interface
- USB from the BMD-345 interface
- 2.54 mm through-hole connector for connecting 3.3 V
- Lithium Polymer (LiPo) battery input

These power sources use protection diodes to prevent reverse voltage to any supply. This allows them to be used simultaneously. Solder jumpers are provided to allow by-passing any of the protection diodes eliminating the voltage drop across them.

Care should be taken to not damage the supplies when the protection is by-passed.

2.1.1 Powering the board

During typical debugging, power will be provided by VBUS on the USB debug interface to supply 5 V to the 3.3 V LDO regulator and to the shield connector. The 3.3 V LDO regulator will then power VIO, VSHLD, and VBMD.

When powering the board from the external power header or the LiPo header, USB can be left disconnected. In this configuration, the interface IC is held in reset to conserve power.

Only if the power protection diodes are left intact can the USB be safely connected at the same time as the external power is still applied, which allows for easy programming of the module.

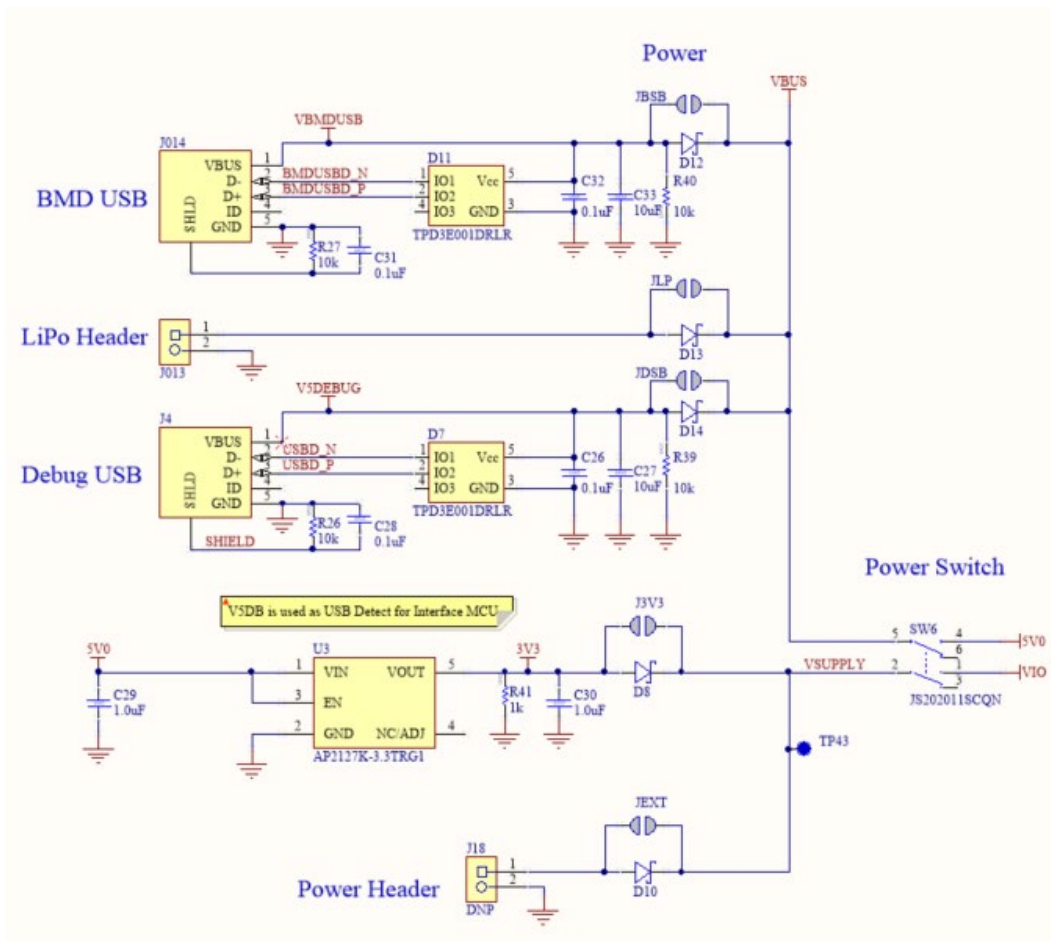


Figure 3: Schematic – Power supply

2.2 Reset

The BMD-345 module has a configurable hardware reset. P0.18 is assumed to be used as the reset pin for all BMD-345 and Nordic example projects, and thus the evaluation board hardware is configured to use P0.18 as a reset. The Reset button can be configured to connect to an input on the interface IC or to directly connect to P0.18.

The reset button is connected to the IC used for the J-Link interface by default. Pressing reset while the interface IC is powered will cause a momentary reset signal on the RESET_N output of the interface IC, which is connected via solder jumper to P0.18 of the BMD-345 module. If the reset button is held down during EVK power on, it will cause the interface IC to enter its bootloader mode, allowing either SEGGER J-Link programmer firmware to be programmed.

When the reset button is directly connected to P0.18, it can be used as a fifth user button or as a reset button directly connected to the BMD-345 module.

Solder jumper J18 is used to connect P0.18 of the BMD-345 module to the RESET_N net. RESET_N is connected to the interface IC and to the reset connections on the Arduino headers.

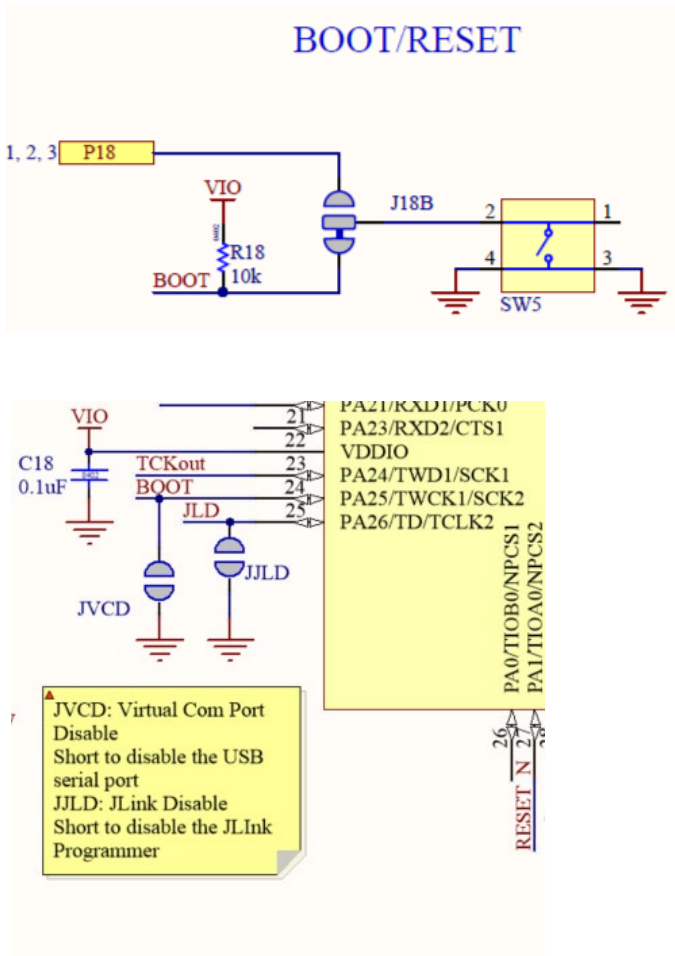


Figure 4: Schematic – Reset

2.3 Buttons

The evaluation board has four user buttons: Button 1, Button 2, Button 3, and Button 4. All buttons are active low; they will connect to ground when pressed. The button GPIO pins must be configured with internal pull-up resistors for proper operation when using the user buttons. The buttons and ESD protection can be completely removed from the circuit by breaking the associated jumper.

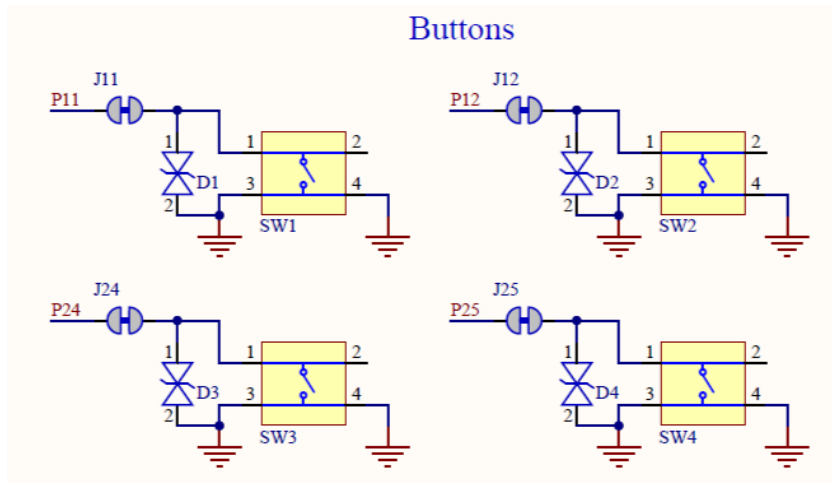


Figure 5: Schematic – User buttons

2.4 LEDs

User LEDs are provided on the evaluation board - two red and two green. An RGB LED is included as well and can be enabled by changing the position of JLED. LEDs are powered by VIO and are active low. The GPIO should be enabled for high drive when sinking current for the LEDs. The LEDs can be completely removed from the circuit by breaking the associated jumper.

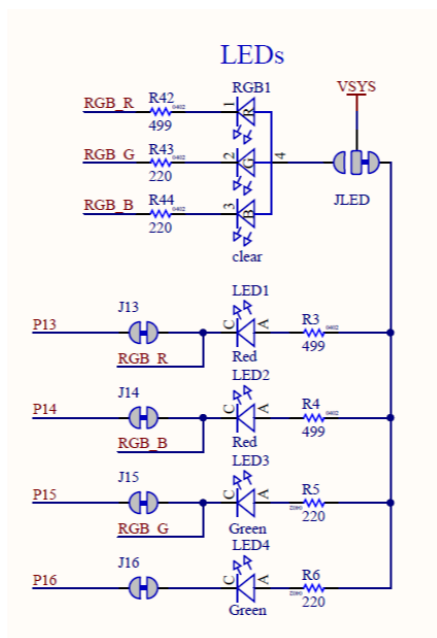


Figure 6: Schematic – User LEDs

2.5 Virtual COM port

The evaluation board allows for easy serial communication with the BMD-345 module and a connected computer. The Interface IC provides a virtual COM port USB device that connects to four GPIO pins on the module, allowing for UART communication with or without hardware flow control. The UART lines can be isolated from the Interface IC by soldering the associated jumpers.

BMD-345 Pin Name	BMD-345 Function	Jumper	Interface IC Function
P0.05	RTS	JFC	CTS
P0.06	TXD	JDAT	RxD
P0.07	CTS	JFC	RTS
P0.08	RxD	JDAT	TXD

Table 2: Virtual COM port connections

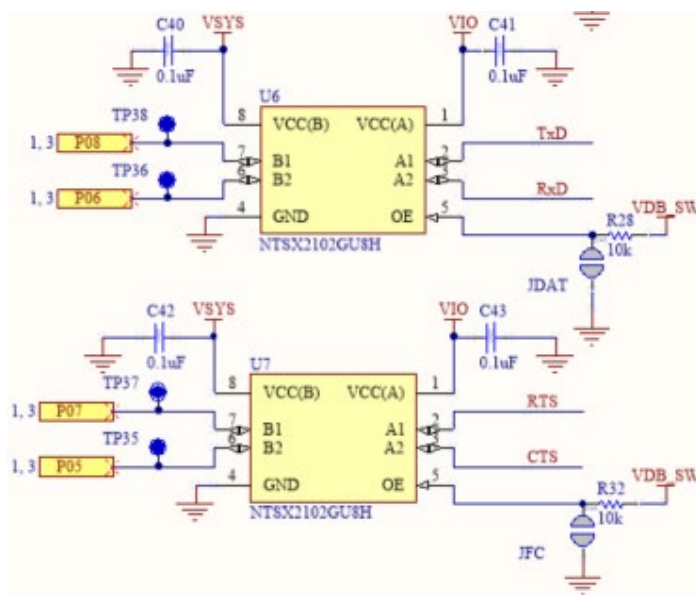


Figure 7: Interface IC UART circuit

2.6 32 kHz crystal oscillator

The evaluation board has a 32.768 kHz crystal oscillator connected to the BMD-345 module by default. This allows the module to use any of the three available low frequency (LF) clock sources: an internal calibrated RC oscillator, an internal synthesized clock (derived from the 32 MHz clock), or an external crystal oscillator. The external crystal oscillator is the most accurate and lowest power LF clock option. For applications without strict time keeping requirements, the internal calibrated RC oscillator is often suitable. The crystal is connected to the module through a solder select jumper, allowing either the crystal or the IO header to be connected to the module's GPIO pins.

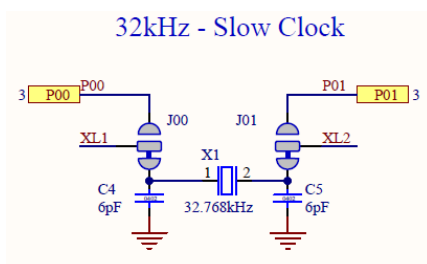


Figure 8: Schematic - 32 kHz crystal

2.7 NFC connector

Connection to an external NFC antenna is provided through a Molex flat-flex connector, Part number 051281-0594. Capacitors “C2” and “C3” provide tuning of the NFC antenna for resonance at 15.56 MHz.

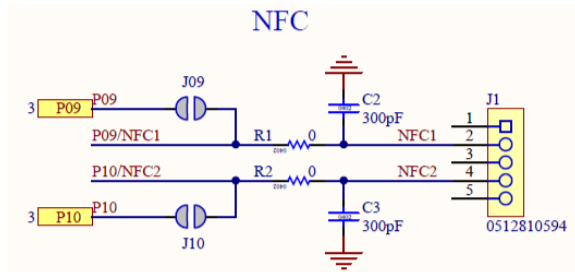


Figure 9: NFC connector

2.8 Current sensing headers

The evaluation board provides two current sensing headers. “JBMD” allows for power consumption measurement of the BMD-345 module and “JSHD” allows for power consumption measurement of the shields connected to the Arduino-style headers (“VSHLD” power only).

Each 3-pin 2.54 mm pitch header has two pins connected across a 1 Ω current-sense resistor powering the module or the shield, and the third pin to ground. To measure current consumption, use a multimeter or other precision voltage measurement device to measure voltage drop across pins one and two. Current can also be measured directly by removing “RBMD” / “RSHD” and using a current meter in series with the two voltage pins. The default hardware configuration does not require any modification of the current sense headers for the BMD-345-EVAL to perform properly.

Only current flowing through “VBMD” into the module is measured; current flowing into GPIO pins is not measured.

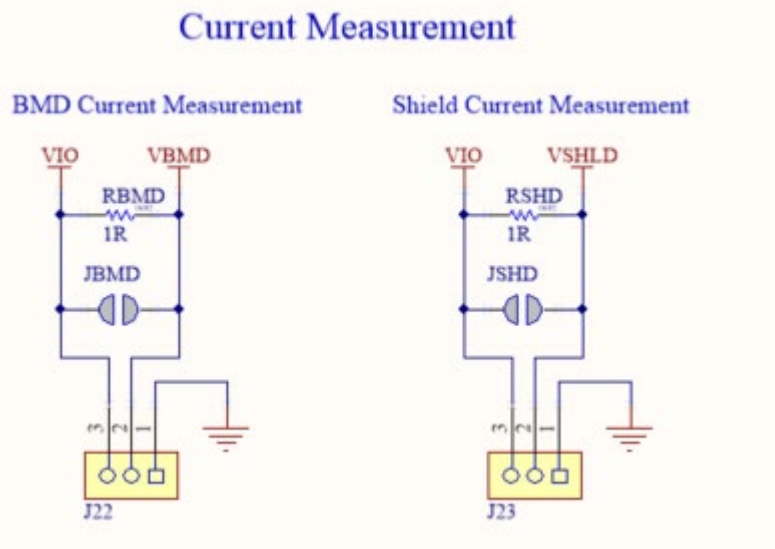
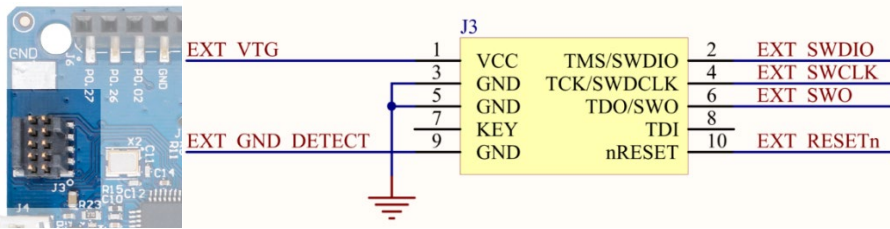


Figure 10: Current sensing header layout

2.9 External SEGGER J-Link™ debug interface

External target hardware, for example ANNA-B1, NINA-B1/B3, and BMD modules, can be connected to J3 for firmware programming and debug. The SEGGER J-LINK-OB debug interface is implemented as shown in Figure 11. J3 is implemented with a 2x5, 10-pin header on 1.27 mm centers.


Figure 11: External J-Link debug interface

In order to enable the external J-Link connection, ensure the following are implemented on the target hardware:

Pin Number	Signal	Type	Description
1	EXT_VTG	I	Connect EXT_VTG to the module power supply (VCC) on the target hardware. Used by the debug interface as an input to sense power applied to the external circuit. Only voltages of 3.0 V to 3.3 V are supported. Target hardware VCC operating voltages outside 3.0 V to 3.3 V require the use of an external SEGGER J-Link Debug Probe.
2	EXT_SWKDIO	I/O	
3	GND	Power	Connect to SWKDIO on the target hardware
4	EXT_SWCLK	O	
5	GND	Power	Connect to SWKDIO on the target hardware
6	EXT_SWO	I	Connect to SWO on the target hardware (optional)
7	N/C		Not connected (key)
8	N/C		Not connected
9	EXT_GND_DETECT	I	Connect EXT_GND_DETECT to GND on the target hardware. Used by the debug interface to detect the presence of external target hardware.
10	EXT_RESET_N	I/O	Connect to RESET_N on the target hardware (optional)

Table 3: J3 debug connector pin-out

At this point, the debug interface will interact with the target hardware instead of the on-board BMD-345 module.

2.10 QSPI

A 64 Mbit Quad SPI (MX25R6435F) flash is available on the BMD-345-EVAL. This memory can be used for execute in place (XIP) directly from the flash as well as general data storage.

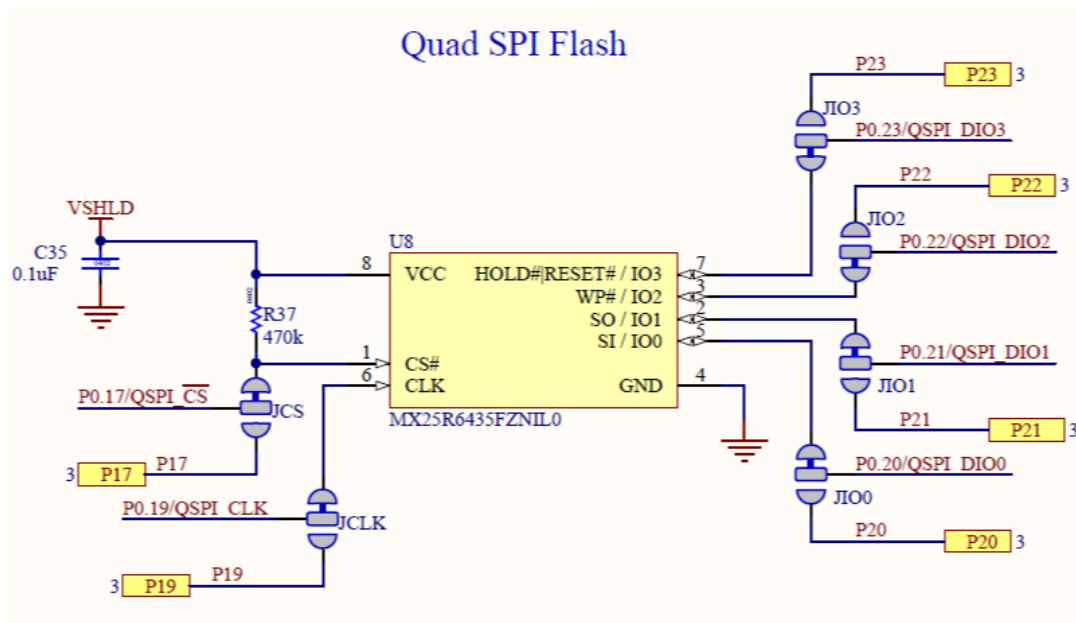


Figure 12: Quad SPI flash

2.11 GPIO jumpers

Many solder bridge jumpers on the board are available to allow GPIO configuration. Most solder jumpers are used to remove on-board components from the module's GPIO nets to eliminate interference with external circuitry added on the I/O headers. All GPIOs are directly connected to the I/O Headers by default, except P0.00 & P0.01 (32 kHz crystal), P0.09 & P0.10 (NFC antenna), and P0.17 & P0.20 - P0.23 (QSPI). These are disconnected from the I/O headers as they would interfere with the default functions. The GPIO jumpers are shown on the bottom of the BMD-345 evaluation kit PCB.

BMD-345			
GPIO	Function	Jumper	HW
P0.00	XL1	J00	
P0.01	XL2	J01	
P0.06	TXD	JDAT	
P0.08	RXD		
P0.05	RTS	JFC	
P0.07	CTS		
P0.09	NFC1	J09 R1	
P0.10	NFC2	J10 R2	
P0.11	Button 1	J11	
P0.12	Button 2	J12	
P0.24	Button 3	J24	
P0.25	Button 4	J25	
P0.13	LED 1	J13	
P0.14	LED 2	J14	
P0.15	LED 3	J15	
P0.16	LED 4	J16	

GPIO	FNC	JMP	HW
P0.17	CS	JCS	
P0.19	CLK	JCLK	
P0.20	DIO0	JIO0	
P0.21	DIO1	JIO1	
P0.22	DIO2	JIO2	
P0.23	DIO3	JIO3	

Figure 13: GPIO jumpers

2.12 Header pin-out

Headers J5 - J9 and J11 break out the IO signals from the BMD-345 module on 2.54 mm pitch headers.

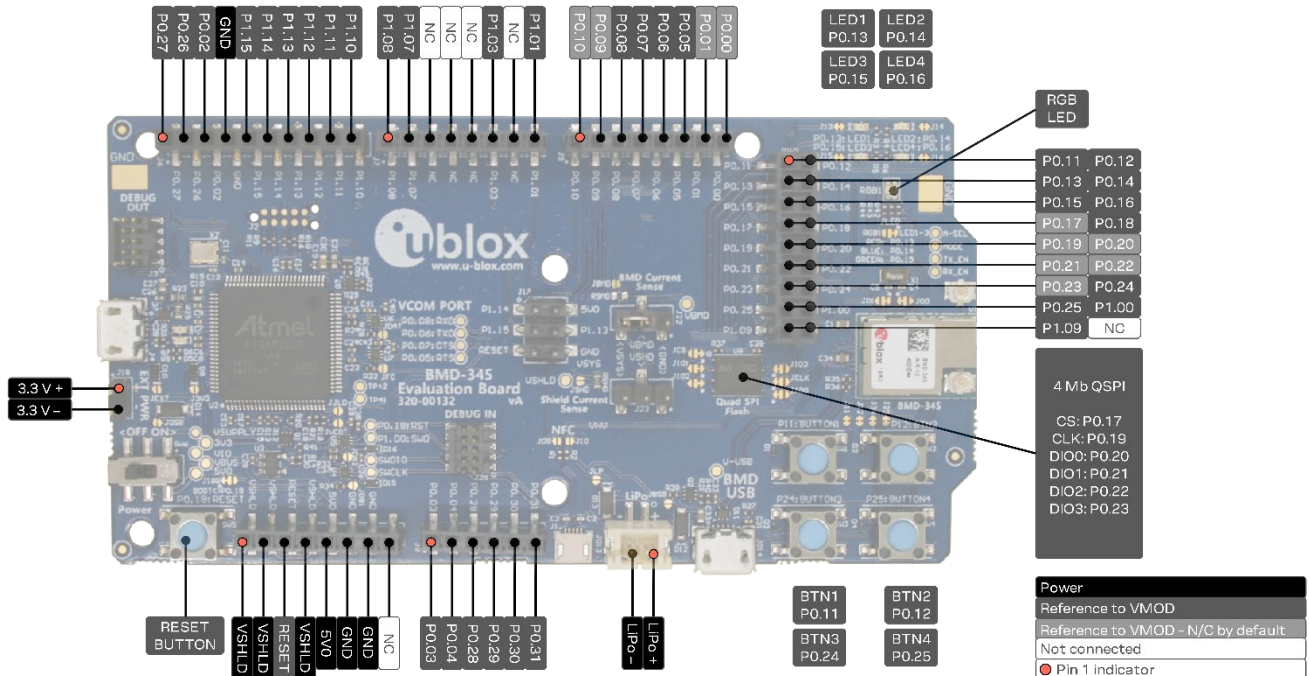


Figure 14: EVK BMD-345 evaluation board (top view)

⚠ The I/O pins of the BMD-345 EVK are not 5 V tolerant. Arduino Uno® style shields shall be configured to use +3.3 V DC (VSHLD) as the I/O voltage reference.

The tables below are presented in order of the headers on the BMD-345-Eval board.

Pin	Pin name	nRF52840	Function
1	VSHLD	-	+3.3 V Shield Power
2	VSHLD	-	+3.3 V Shield Power
3	RESET	P0.18	RESET_N / GPIO
4	VSHLD	-	+3.3 V Shield Power
5	5V0	-	+5.0 V USB Power
6	GND	-	Ground
7	GND	-	Ground
8	-	-	No connection

Table 4: Header J5

Pin	Pin name	nRF52840	Function
1	P0.27	P0.27	GPIO
2	P0.26	P0.26	GPIO
3	P0.02	P0.02	GPIO / AINO
4	GND	-	Ground
5	P1.15	P1.15	GPIO
6	P1.14	P1.14	GPIO
7	P1.13	P1.13	GPIO
8	P1.12	P1.12	GPIO
9	P1.11	P1.11	GPIO
10	P1.10	P1.10	GPIO

Table 5: Header J6

Pin	Pin name	nRF52840	Function
1	P1.08	P1.08	GPIO
2	P1.07	P1.07	GPIO
3	-	-	No connection
4	-	-	No connection
5	-	-	No connection
6	P1.03	P1.03	GPIO
7	-	-	No connection
8	P1.01	P1.01	GPIO

Table 6: Header J7

Pin	Pin name	nRF52840	Function
1	P0.03	P0.03	GPIO / AIN1
2	P0.04	P0.04	GPIO / AIN2
3	P0.28	P0.28	GPIO / AIN4
4	P0.29	P0.29	GPIO / AIN5
5	P0.30	P0.30	GPIO / AIN6
6	P0.31	P0.31	GPIO / AIN7

Table 7: Header J8

Pin	Pin name	nRF52840	Function
1	P0.10	P0.10	OPEN / GPIO
2	P0.09	P0.09	OPEN / GPIO
3	P0.08	P0.08	GPIO
4	P0.07	P0.07	GPIO / TRACECLK
5	P0.06	P0.06	GPIO
6	P0.05	P0.05	GPIO / AIN3
7	P0.01	P0.01	OPEN / GPIO
8	P0.00	P0.00	OPEN / GPIO

Table 8: Header J9

Pin	Pin name	nRF52840	Function
1	P0.11	P0.11	GPIO / TRACED[2]
2	P0.12	P0.12	GPIO / TRACED[1]
3	P0.13	P0.13	GPIO
4	P0.14	P0.14	GPIO
5	P0.15	P0.15	GPIO
6	P0.16	P0.16	GPIO
7	P0.17	P0.17	OPEN / GPIO / QSPI CS
8	P0.18	P0.18	RESET_N / GPIO
9	P0.19	P0.19	OPEN / GPIO / QSPI CLK
10	P0.20	P0.20	OPEN / GPIO / QSPI DIO0
11	P0.21	P0.21	OPEN / GPIO / QSPI DIO1
12	P0.22	P0.22	OPEN / GPIO / QSPI DIO2
13	P0.23	P0.23	OPEN / GPIO / QSPI DIO3
14	P0.24	P0.24	GPIO
15	P0.25	P0.25	GPIO
16	P1.00	P1.00	GPIO / TRACED[0] / SWO
17	P1.09	P1.09	OPEN / GPIO / TRACED[3]
18	-	-	No connection

Table 9: Header J10

Pin	Pin name	nRF52840	Function
1	P1.14	P1.14	GPIO
2	5V0	-	+5.0 V USB Power
3	P1.15	P1.15	GPIO
4	P1.13	P1.13	GPIO
5	RESET	P0.18	RESET_N / GPIO
6	GND		Ground

Table 10: Header J11

3 Setting up the evaluation board

This section provides information on how to set up and program the BMD-345 evaluation kit with an example application.

3.1 Set up the tool chain

1. Install [SEGGER Embedded Studio](#) and [request a license](#).
 - 1.1. Training videos for SEGGER Embedded Studio can be viewed [here](#).
2. Download the latest [nRF5 SDK](#). Unzip it to a convenient working directory. The latest SDK version should be used whenever possible. The “nRF5_SDK_xx.x.x_yyyyyyy” directory may change. The folders under usually remain the same from version to version.

Do not alter the directory trees. The examples are configured for relative path positions.

Do not use spaces in the directory path.

3. When selecting examples from the SDK, note the following cross reference:

u-blox evaluation board	Nordic SoC	Preferred Nordic SoftDevice	Compatible Nordic DK
BMD-345-EVAL	nRF52840	S140	PCA10056 / nRF52840 DK

Table 11: u-blox evaluation with Nordic DK cross reference

4. Install [nRF Connect for desktop](#) and optionally one of the [mobile versions](#). nRF Connect can be used directly with the Device Under Test (DUT) evaluation board for programming and other features.
5. Install the mobile [nRF Blinky for Android](#) or [nRF Blinky for iOS](#). nRF Blinky will be used later in this guide.

If using nRF Connect on a desktop, a second evaluation board or an [nRF52 USB Dongle](#) is required to make Bluetooth low energy connections with your DUT.

6. Install the [SEGGER J-Link Commander](#). If presented with a screen to select different IDEs, ensure at least the “SEGGER Embedded Studio ARM” line is selected:

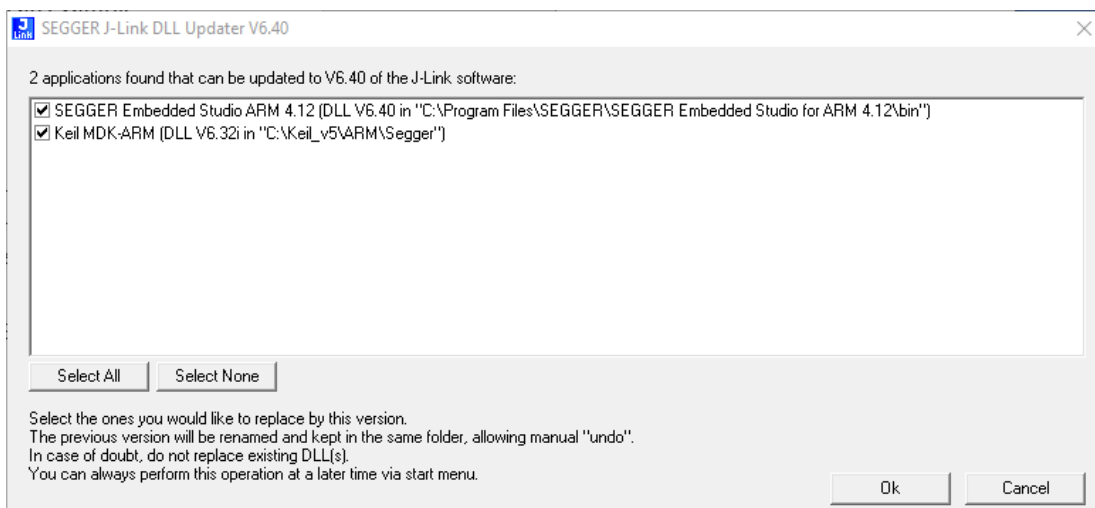


Figure 15: SEGGER J-Link commander install

7. You may need to add the install location to the system PATH. The default location for the J-Link commander is “C:\Program Files (x86)\SEGGER\JLink_Vnnn” where “nnn” is the version number.
8. Install [nRF Toolbox](#) for your mobile device. This will be used with the example below.


3.2 Connect BMD-345 evaluation kit to a computer

The evaluation board is provided with an on-board SEGGER J-Link programmer/debugger.


1. Connect one of the 2.4GHz antennas from the kit to the module.

 Note that the U.FL connector is intended for limited connect / disconnect cycles.

2. Connect the board to a computer using the USB cable provided.

 The status LED, D5, will flash and then turn solid once the USB device is enumerated. Some flickering is normal.

3. After a few seconds, the computer will recognize the evaluation board as a J-Link device and install the USB-Virtual COM Port device driver.
4. Run the J-Link Commander:
 - 4.1. JLink on Windows
 - 4.2. JLinkExe on macOS and Linux

 If prompted to update the J-Link firmware, accept and perform the update.

5. Type `connect` at the `J-Link>` prompt
6. Enter the device type at the `Device>` prompt
 - 6.1. Type `nRF52840_XXAA` for the BMD-345
7. Enter `s` to select the SWD interface and accept the default for the speed.
8. J-Link will respond with several items. Here is a sample output:

```

C:\Program Files (x86)\SEGGER\JLink_V640>jlink
SEGGER J-Link Commander V6.40 (Compiled Oct 26 2018 15:06:29)
DLL version V6.40, compiled Oct 26 2018 15:06:02

Connecting to J-Link via USB...O.K.
Firmware: J-Link OB-SAM3U128-V2-NordicSemi compiled Jul 12 2018 11:44:41
Hardware version: V1.00
S/N: 683477864
VTref=3.300V

Type "connect" to establish a target connection, '?' for help
J-Link>connect
Please specify device / core. <Default>: NRF52840_XXAA
Type '?' for selection dialog
Device>NRF52840_XXAA
Please specify target interface:
  J) JTAG (Default)
  S) SWD
  T) cJTAG
TIF>s
Specify target interface speed [kHz]. <Default>: 4000 kHz
Speed>
Device "NRF52840_XXAA" selected.

Connecting to target via SWD
Found SW-DP with ID 0x2BA01477
Found SW-DP with ID 0x2BA01477
Scanning AP map to find all available APs
AP[2]: Stopped AP scan as end of AP map has been reached
AP[0]: AHB-AP (IDR: 0x24770011)
AP[1]: JTAG-AP (IDR: 0x02880000)
Iterating through AP map to find AHB-AP to use
AP[0]: Core found
AP[0]: AHB-AP ROM base: 0xE00FF000
CPUID register: 0x410FC241. Implementer code: 0x41 (ARM)
Found Cortex-M4 r0p1, Little endian.
FPUnit: 6 code (BP) slots and 2 literal slots
CoreSight components:
ROMTbl[0] @ E00FF000
ROMTbl[0][0]: E000E000, CID: B105E00D, PID: 000BB00C SCS-M7
ROMTbl[0][1]: E0001000, CID: B105E00D, PID: 003BB002 DWT
ROMTbl[0][2]: E0002000, CID: B105E00D, PID: 002BB003 FPB
ROMTbl[0][3]: E0000000, CID: B105E00D, PID: 003BB001 ITM
ROMTbl[0][4]: E0040000, CID: B105900D, PID: 000BB9A1 TPIU
ROMTbl[0][5]: E0041000, CID: B105900D, PID: 000BB925 ETM
Cortex-M4 identified.
J-Link>
    
```


Figure 16: J-Link commander output

9. This confirms that the evaluation board is properly recognized.
10. While still in the J-Link Commander session, save the pre-programmed public Bluetooth address by typing in: `savebin mac_addr.bin 0x10001080 8`
11. Save the file `mac_addr.bin` to a convenient location for future use.
12. Exit the J-Link session by typing `exit`.

At this point, a file titled `mac_addr.bin` will be saved in the current directory. The contents will contain the MAC address in little-endian format:

```
33 22 11 93 54 94 FF FF
```

to correspond to the address `94:54:93:11:22:33`. The last two `FF` values are only fillers to complete the 8-byte read. Public Bluetooth addresses begin with the IEEE-assigned company ID, `94:54:93` or `6C:1D:EB`. The remaining bytes are printed on the 2D and human-readable label on the module. See the module data sheet for additional information.

 This file may be used to restore the Bluetooth address after performing an erase or recover with the J-Link command: `loadbin mac_address.bin 0x10001080`

3.3 Modify an example to enable the PA / LNA

The BMD-345 incorporates both the Nordic Semiconductor nRF52840 SoC and Skyworks RFX2411 RF front end (PA/LNA). The front end must be configured in order for the module to function properly. This guide shows an example of the dynamic control using the S140 SoftDevice. Other types of control are discussed in the BMD-345 data sheet.

3.3.1 Example setup

It's good practice to create a copy of an SDK example so the original code is not modified. For the example here, start with the ble_app_blinky example:

```
C:\u-blox\nRF5_SDK_16.0.0_98a08e2\examples\ble_peripheral\ble_app_blinky
```

Copy the entire folder structure to a new folder in the same example folder, for example:

```
C:\u-blox\nRF5_SDK_16.0.0_98a08e2\examples\ble_peripheral\ble_app_blinky_sd
```

Add a file called custom_board.h. This is used to define the required GPIO. It's easiest to start with the existing nRF52840 DK configuration file, pca10056.h, which is located here:

```
C:\u-blox\nRF5_SDK_16.0.0_98a08e2\components\boards\pca10056.h
```

Copy and rename it to:

```
C:\u-blox\nRF5_SDK_16.0.0_98a08e2\examples\ble_peripheral\ble_app_blinky_sd\pca10056\s140\config\custom_board.h
```

Open the copied example in SEGGER Embedded Studio (SES):

```
C:\u-blox\nRF5_SDK_16.0.0_98a08e2\examples\ble_peripheral\ble_app_blinky_sd\pca10056\s140\ses\ble_app_blinky_pca10056_s140.emProject
```

Right-click on the "Application" folder.

Select "Add existing file". Navigate to the custom_board.h file. The project should now look like this:

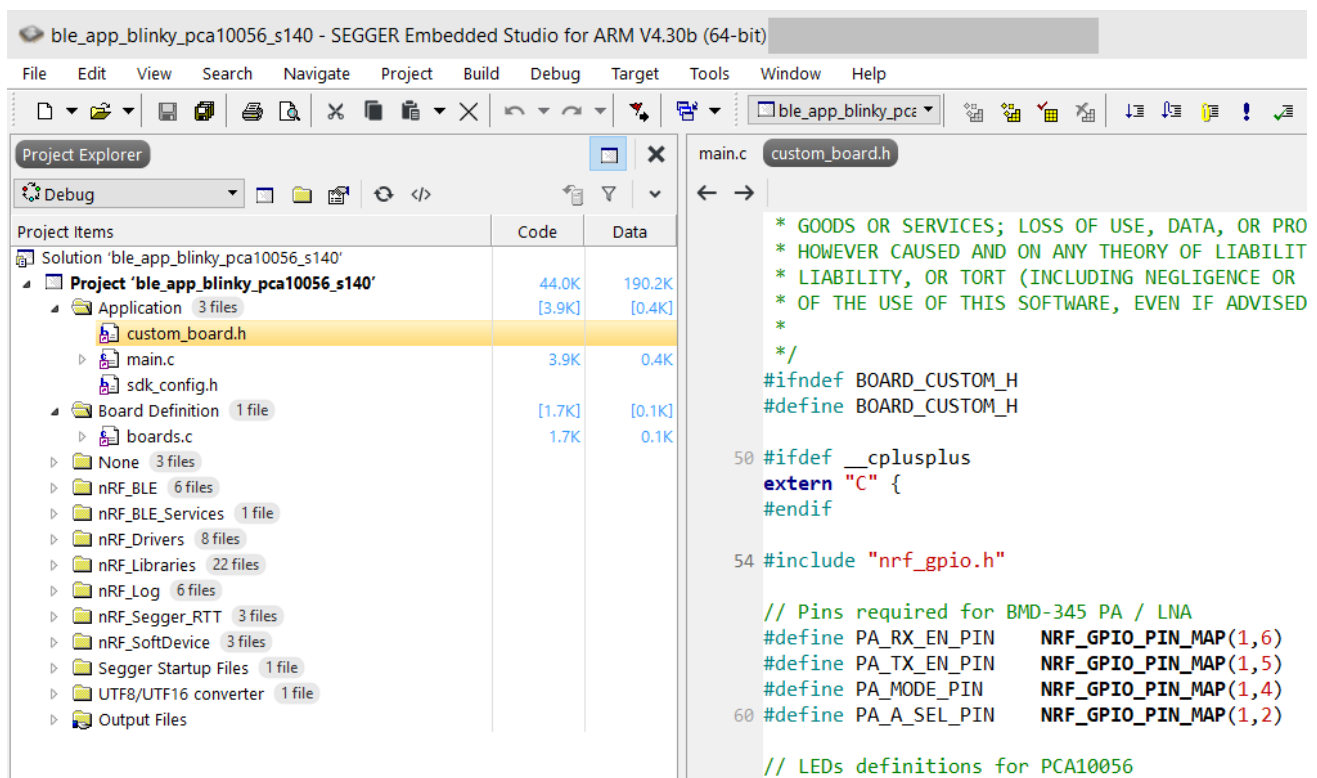


Figure 17: Add custom_board.h to project

Right-click on the project (Project ‘ble_app_blinky_pca10056_s140’) and select Options. The following window will appear:

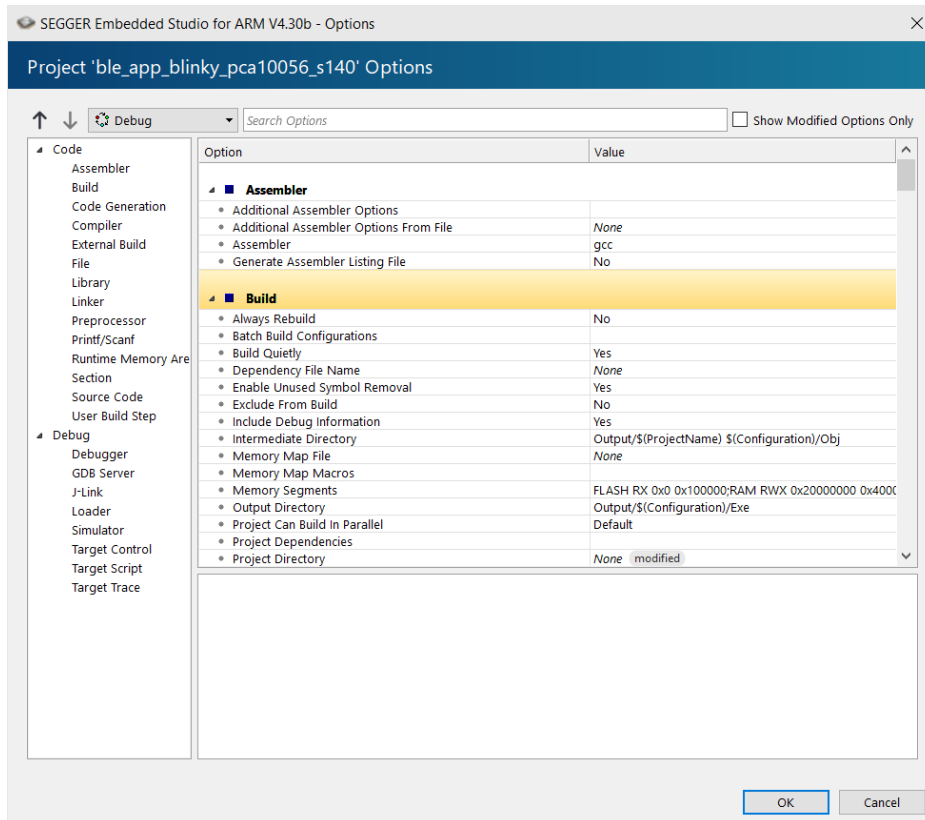


Figure 18: Project options

Click on “Preprocessor”, then select “Common” from the drop-down:

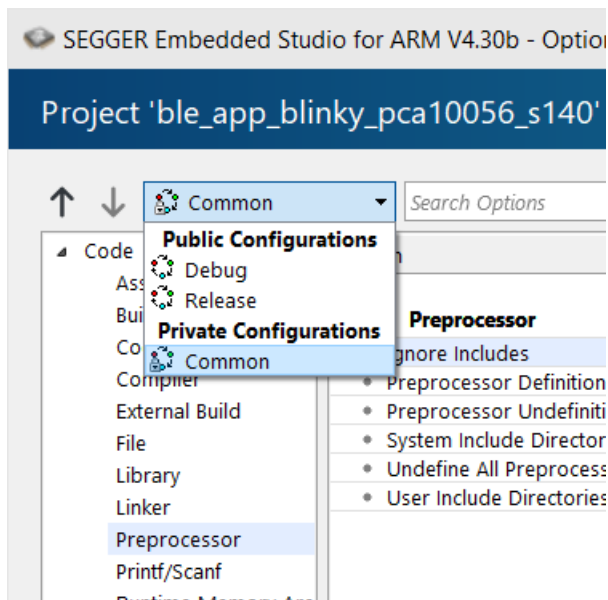


Figure 19: Preprocessor common options

Double-click on the “Preprocessor Definitions” to show the list. Change “BOARD_PCA10056” to “BOARD_CUSTOM”. This directs the IDE to reference the custom_board.h file that was just added:

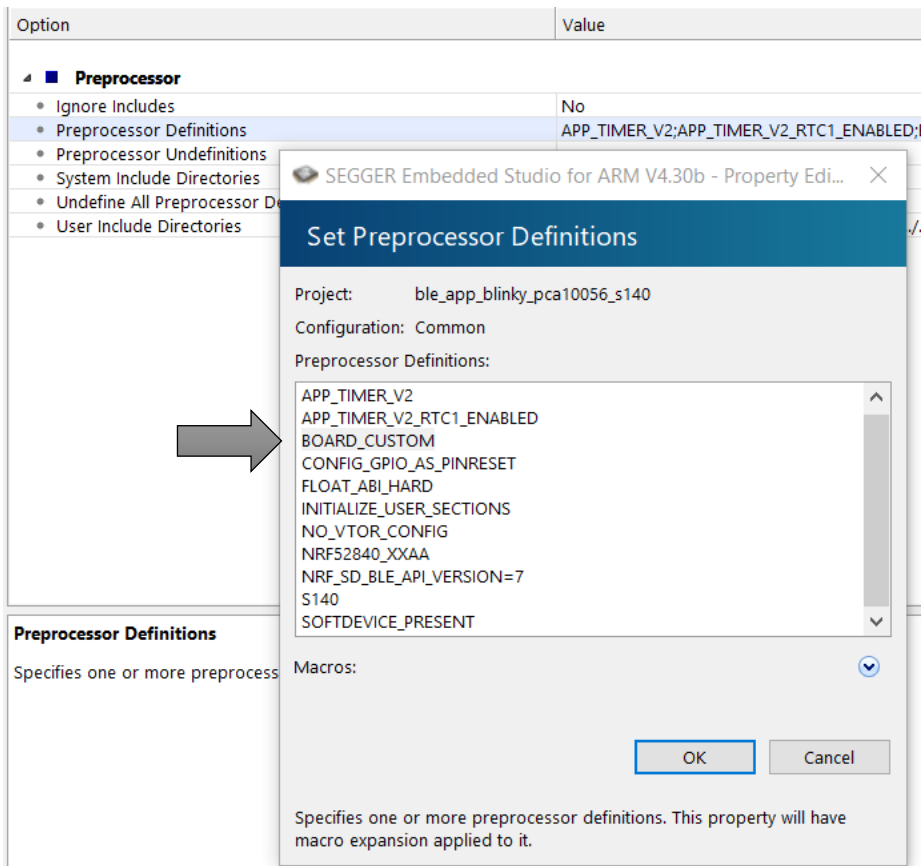


Figure 20: Change to BOARD_CUSTOM

Click OK on the Preprocessor Definitions and Options windows to close them.

Open custom_board.h and add the following lines:

```
// Pins required for BMD-345 PA / LNA
#define PA_RX_EN_PIN NRF_GPIO_PIN_MAP(1,6)
#define PA_TX_EN_PIN NRF_GPIO_PIN_MAP(1,5)
#define PA_MODE_PIN NRF_GPIO_PIN_MAP(1,4)
#define PA_A_SEL_PIN NRF_GPIO_PIN_MAP(1,2)
```

Any other custom pin definitions may be added in custom_board.h.

A small block of code needs to be added to the application to enable this feature. In main.c, add the following function above the advertising_start() function:

```
static void pa_lna_assist(uint32_t gpio_pa_pin, uint32_t gpio_lna_pin)
{
    ret_code_t err_code;

    static const uint32_t gpio_toggle_ch = 0;
    static const uint32_t ppi_set_ch = 0;
    static const uint32_t ppi_clr_ch = 1;

    // Configure SoftDevice PA / LNA assist
    ble_opt_t opt;
    memset(&opt, 0, sizeof(ble_opt_t));

    // Common PA / LNA config
    // GPIOTE channel
    opt.common_opt.pa_lna.gpiote_ch_id = gpio_toggle_ch;
    // PPI channel for pin learning
    opt.common_opt.pa_lna.ppi_ch_id_clr = ppi_clr_ch;
    // PPI channel for pin setting
    opt.common_opt.pa_lna.ppi_ch_id_set = ppi_set_ch;
```

```

// PA config
// Set the pin to be active high
opt.common_opt.pa_lna.pa_cfg.active_high = 1;
    // Enable toggling
opt.common_opt.pa_lna.pa_cfg.enable      = 1;
// The GPIO pin to toggle
opt.common_opt.pa_lna.pa_cfg.gpio_pin    = gpio_pa_pin;

// LNA config
// Set the pin to be active high
opt.common_opt.pa_lna.lna_cfg.active_high = 1;
// Enable toggling
opt.common_opt.pa_lna.lna_cfg.enable      = 1;
// The GPIO pin to toggle
opt.common_opt.pa_lna.lna_cfg.gpio_pin    = gpio_lna_pin;

err_code = sd_ble_opt_set(BLE_COMMON_OPT_PA_LNA, &opt);
APP_ERROR_CHECK(err_code);
}
    
```

Modify the `advertising_start()` function to include control configuration:

```

static void advertising_start(void)
{
    ret_code_t      err_code;
    //Insert the following code before calling scan_start() or advertising_start ()
    /*-----*/
    //Set PA / LNA Mode Pin: Low for Normal operation
    nrf_gpio_cfg_output(PA_MODE_PIN);
    nrf_gpio_pin_clear(PA_MODE_PIN);

    //Set PA / LNA Select Pin: low for U.FL
    nrf_gpio_cfg_output(PA_A_SEL_PIN);
    nrf_gpio_pin_clear(PA_A_SEL_PIN);

    //Setup PA / LNA TX and RX control pins with the SoftDevice
    pa_lna_assist(PA_TX_EN_PIN, PA_RX_EN_PIN);

    //Set TX power for scan responses
    sd_ble_gap_tx_power_set(BLE_GAP_TX_POWER_ROLE_SCAN_INIT, 0,
                            RADIO_TXPOWER_TXPOWER_Neg20dBm);
    //Set TX power for advertisements
    sd_ble_gap_tx_power_set(BLE_GAP_TX_POWER_ROLE_ADV, 0,
                            RADIO_TXPOWER_TXPOWER_Neg20dBm);
    //Tx power setting for connections inherit the scan or advertising power setting

    /*-----*/
    err_code = sd_ble_gap_adv_start(m_adv_handle, APP_BLE_CONN_CFG_TAG);
    APP_ERROR_CHECK(err_code);

    bsp_board_led_on(ADVERTISING_LED);
}
    
```

3.3.2 Example test

Click the “build” icon or press <F7> to compile the example and ensure there are no errors.

Download the example to the BMD-345-Eval board, then press the RESET button on the board. The BMD-345 will illuminate LED1 and start advertising “Nordic_Blinky”.

A logic analyzer or oscilloscope may be used to observe the control signals. Test points are located near the BMD-345:

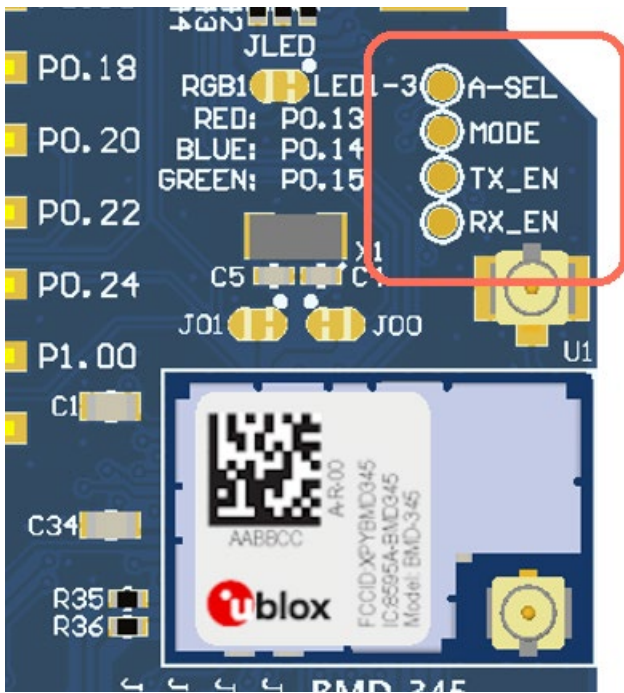


Figure 21: RF front end control test points

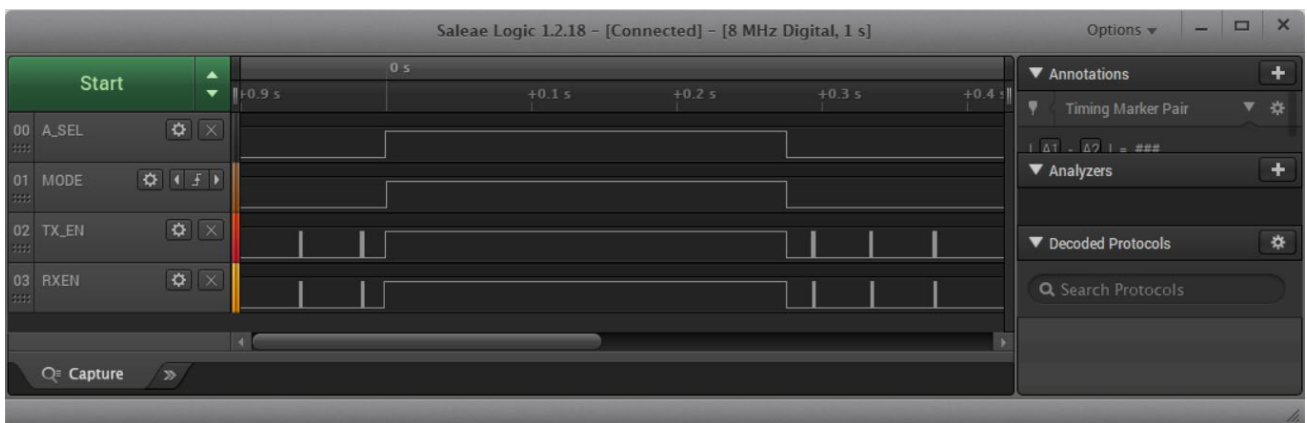


Figure 22: Control signals on logic analyzer

Open the “nRF Blinky” mobile application. Connect to the “Nordic_Blinky” device:

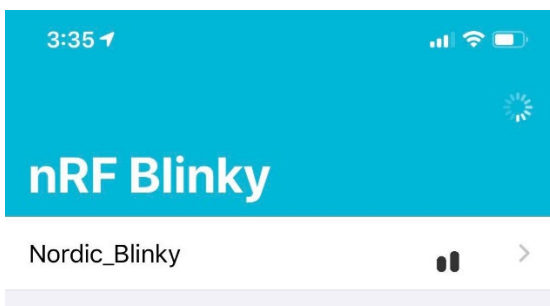


Figure 23: nRF Blinky scanning for devices

LED1 will go off, and LED2 will illuminate.

Operate the functions. Tap the slider to toggle LED3, and press Button 1 on the BMD-345-Eval to change the state reported in the app:

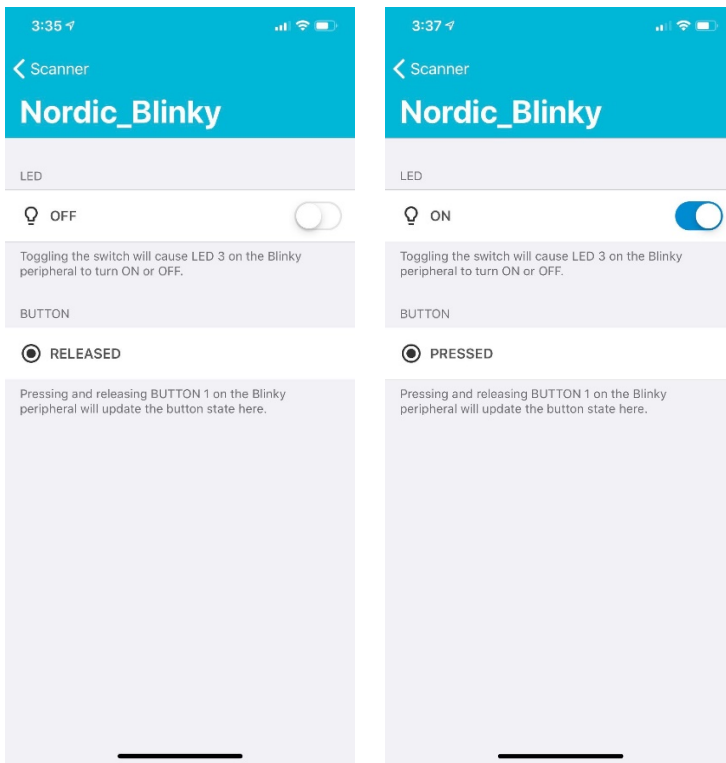


Figure 24: nRF Blinky interaction with BMD-345-Eval

nRF Connect can also be used to observe the RSSI and operate the example with manual interaction with the Bluetooth characteristics.

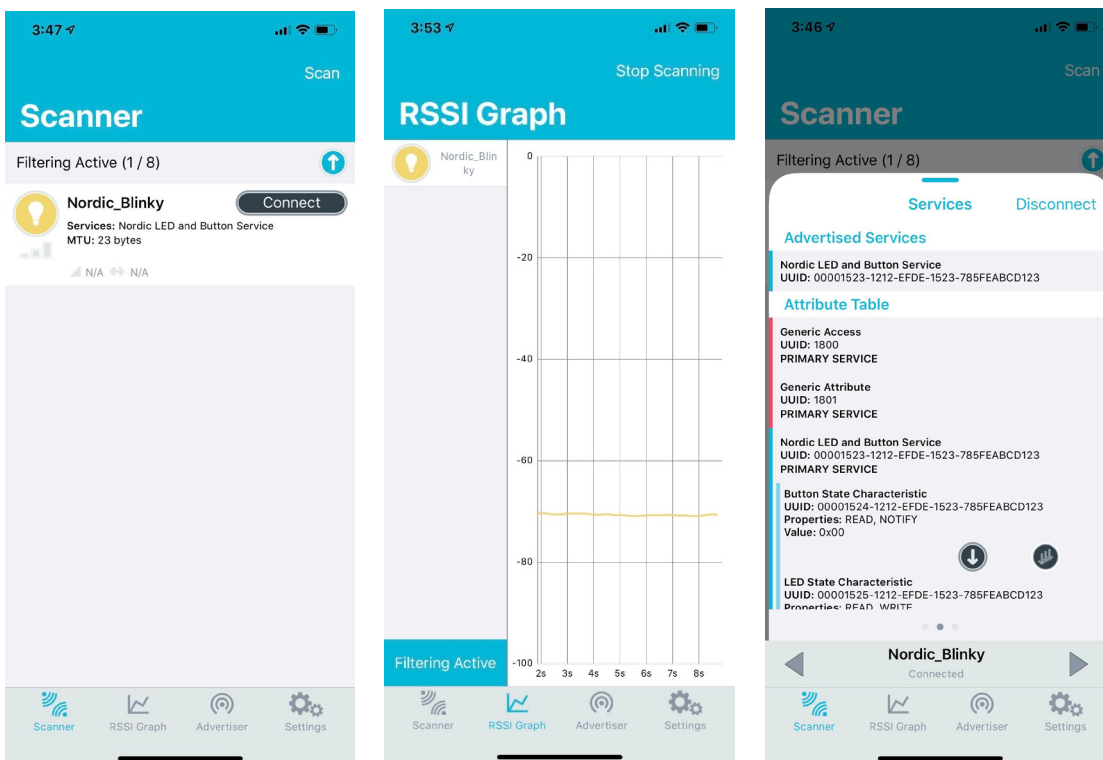



Figure 25: nRF Connect interaction with BMD-345-Eval

Related documents

- [1] BMD-345 data sheet, [UBX-19039908](#)
- [2] [Skyworks RFX2411 data sheet](#)
- [3] [Nordic nRF52840 product specification](#)
- [4] [S140 SoftDevice specification](#)
- [5] u-blox package information guide, [UBX-14001652](#)

 For product change notifications and regular updates of u-blox documentation, register on our website, www.u-blox.com.

Revision history

Revision	Date	Comments
R01	05-Dec-2019	Initial release.
R02	17-Feb-2021	Updated renderings to photos of actual EVK.
R03	16-Apr-2021	Updated Figure 14

Contact

For complete contact information, visit us at www.u-blox.com.

u-blox Offices

North, Central and South America

u-blox America, Inc.

Phone: +1 703 483 3180
E-mail: info_us@u-blox.com

Regional Office West Coast:

Phone: +1 408 573 3640
E-mail: info_us@u-blox.com

Technical Support:

Phone: +1 703 483 3185
E-mail: support@u-blox.com

Headquarters

Europe, Middle East, Africa

u-blox AG

Phone: +41 44 722 74 44
E-mail: info@u-blox.com
Support: support@u-blox.com

Asia, Australia, Pacific

u-blox Singapore Pte. Ltd.

Phone: +65 6734 3811
E-mail: info_ap@u-blox.com
Support: support_ap@u-blox.com

Regional Office Australia:

Phone: +61 3 9566 7255
E-mail: info_au@u-blox.com
Support: support_ap@u-blox.com

Regional Office China (Beijing):

Phone: +86 10 68 133 545
E-mail: info_cn@u-blox.com
Support: support_cn@u-blox.com

Regional Office China (Chongqing):

Phone: +86 23 6815 1588
E-mail: info_cn@u-blox.com
Support: support_cn@u-blox.com

Regional Office China (Shanghai):

Phone: +86 21 6090 4832
E-mail: info_cn@u-blox.com
Support: support_cn@u-blox.com

Regional Office China (Shenzhen):

Phone: +86 755 8627 1083
E-mail: info_cn@u-blox.com
Support: support_cn@u-blox.com

Regional Office India:

Phone: +91 80 405 092 00
E-mail: info_in@u-blox.com
Support: support_in@u-blox.com

Regional Office Japan (Osaka):

Phone: +81 6 6941 3660
E-mail: info_jp@u-blox.com
Support: support_jp@u-blox.com

Regional Office Japan (Tokyo):

Phone: +81 3 5775 3850
E-mail: info_jp@u-blox.com
Support: support_jp@u-blox.com

Regional Office Korea:

Phone: +82 2 542 0861
E-mail: info_kr@u-blox.com
Support: support_kr@u-blox.com

Regional Office Taiwan:

Phone: +886 2 2657 1090
E-mail: info_tw@u-blox.com
Support: support_tw@u-blox.com