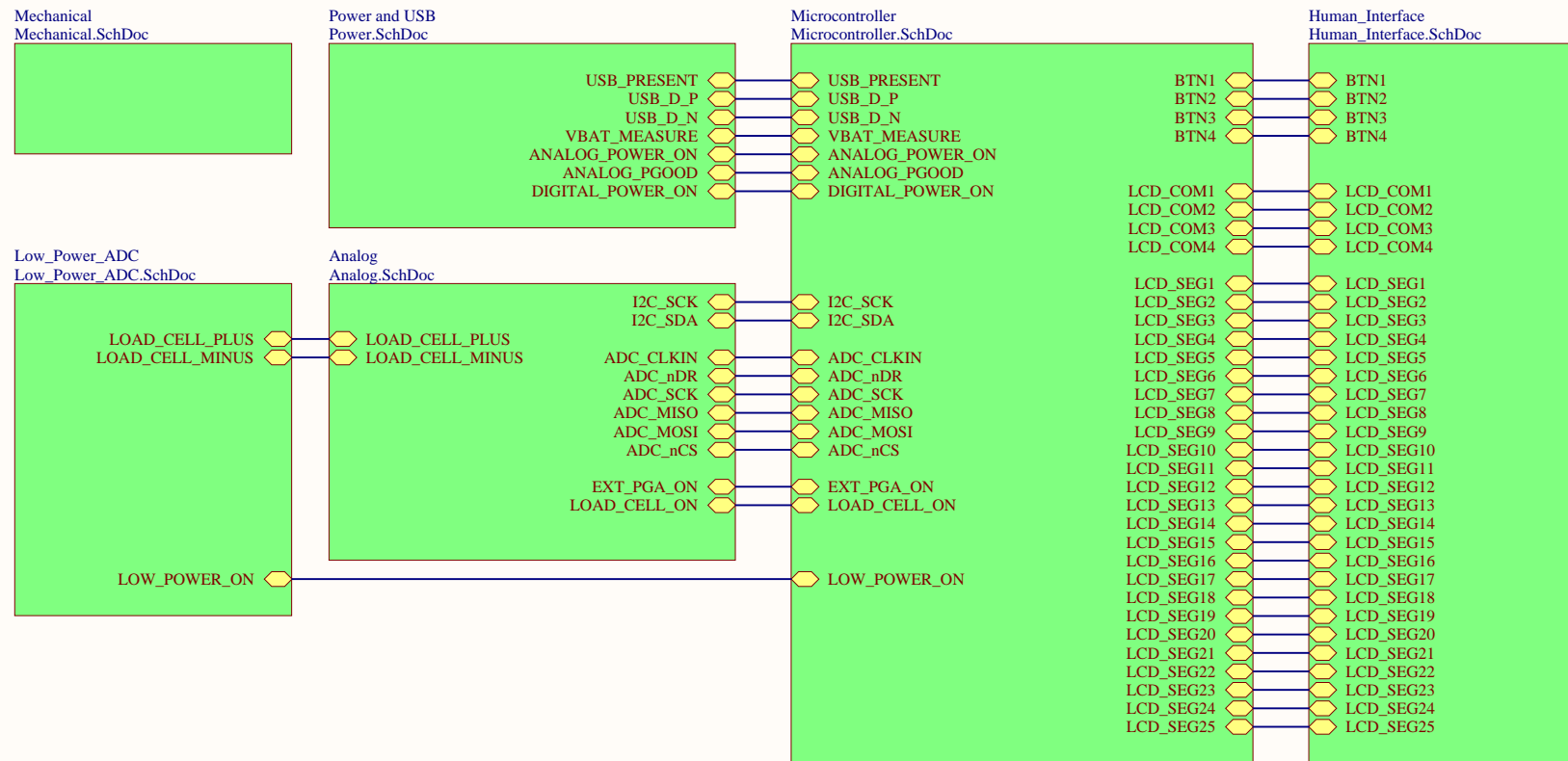


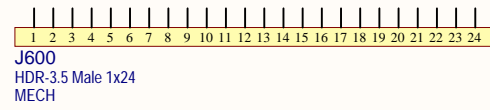
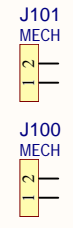
REV	ECO#	DESCRIPTION	DATE



Drawn By: Dana Diaconu		
Engineer: Dana Diaconu		
PartNumber: ARD00906	Project Title MCP3564 Weight Scale	
Sheet Title Top_Sheet		
Size B	Sch #03-10840	Date: 1/23/2019 1:11:35 PM
Revision:2		Sheet 1 of 7
File: TOP_Sheet.SchDoc		

Designed with
Altium
Altium.com

REV	ECO#	DESCRIPTION	DATE



- PAD1
Bumpon CYL D9.53H5.97
- PAD2
Bumpon CYL D9.53H5.97
- PAD3
Bumpon CYL D9.53H5.97
- PAD4
Bumpon CYL D9.53H5.97
- PAD5
Bumpon CYL D9.53H5.97

LABEL1

Need Help?
<http://support.microchip.com>
 Assy# Serial #
 Label Need Help Large



- SCR1
SCREW M5x16mm
- SCR2
SCREW M5x16mm
- NUT1
NUT M6x5mm Zinc
- NUT2
NUT M6x5mm Zinc
- SCR3
SCREW M4x12mm Zinc
- SCR4
SCREW M4x12mm Zinc
- NUT3
NUT M5x4mm Zinc
- NUT4
NUT M5x4mm Zinc

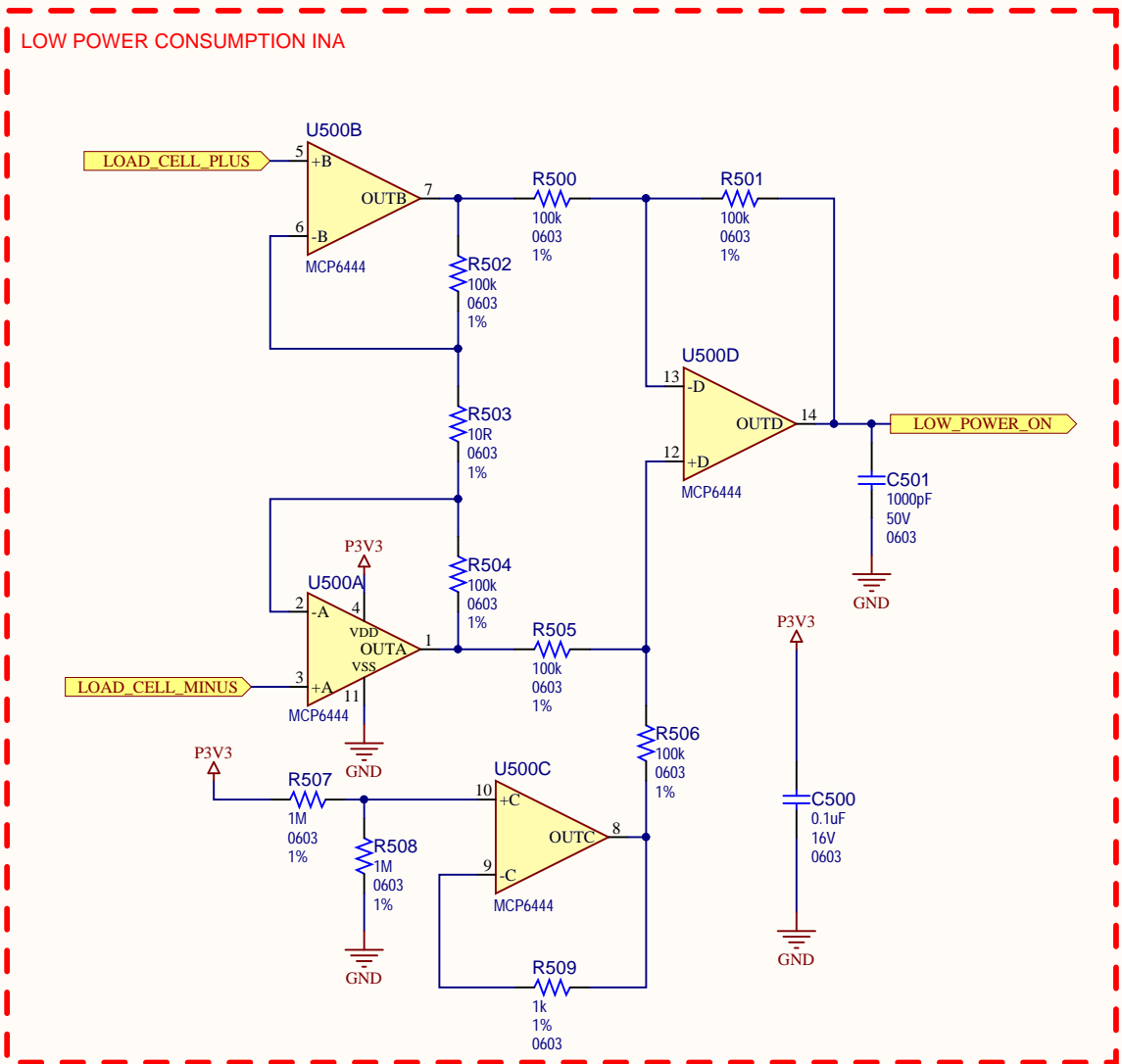
MECH1
Acrylic Tray

Mechanical

MECH HW ACRYLIC Disc D50H4 for AMA Load Cell

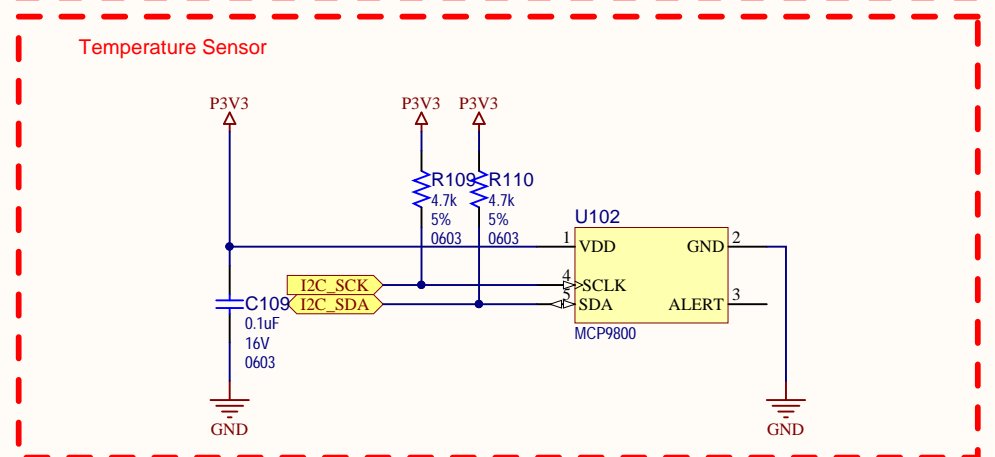
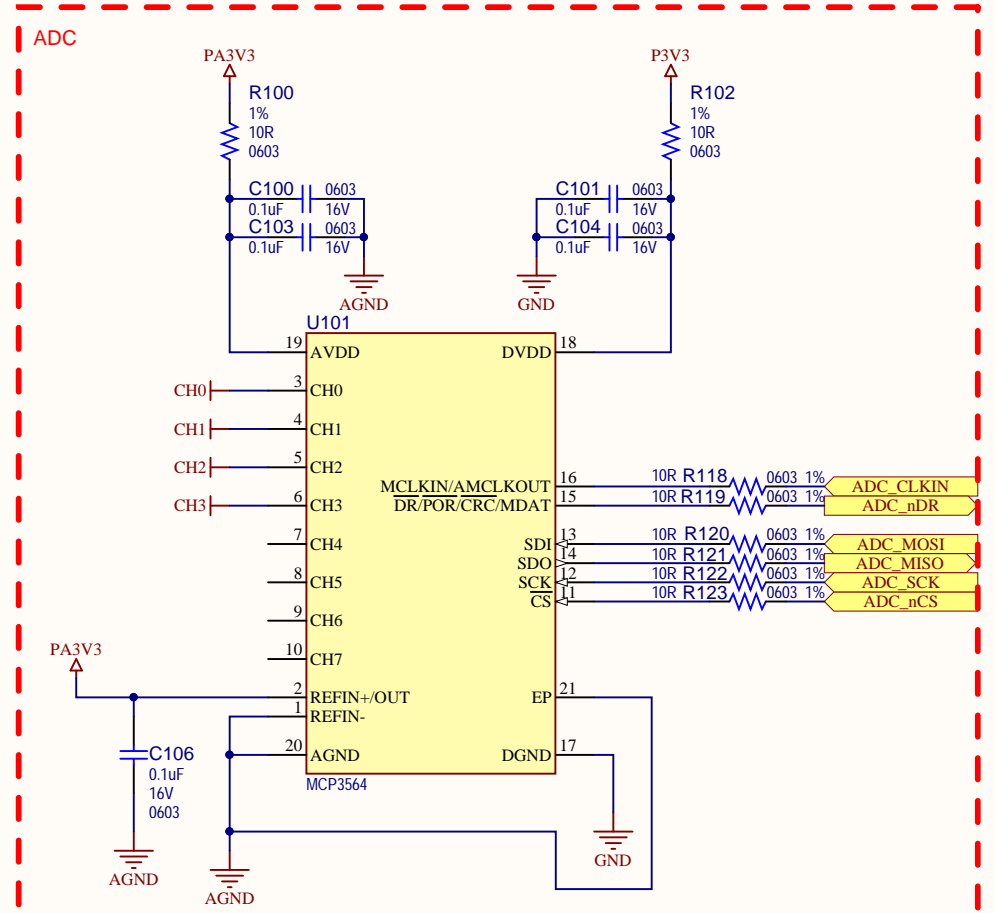
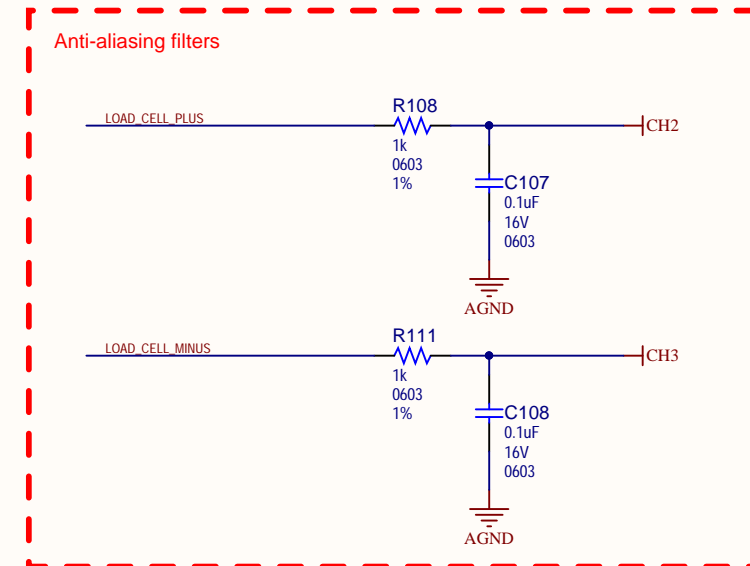
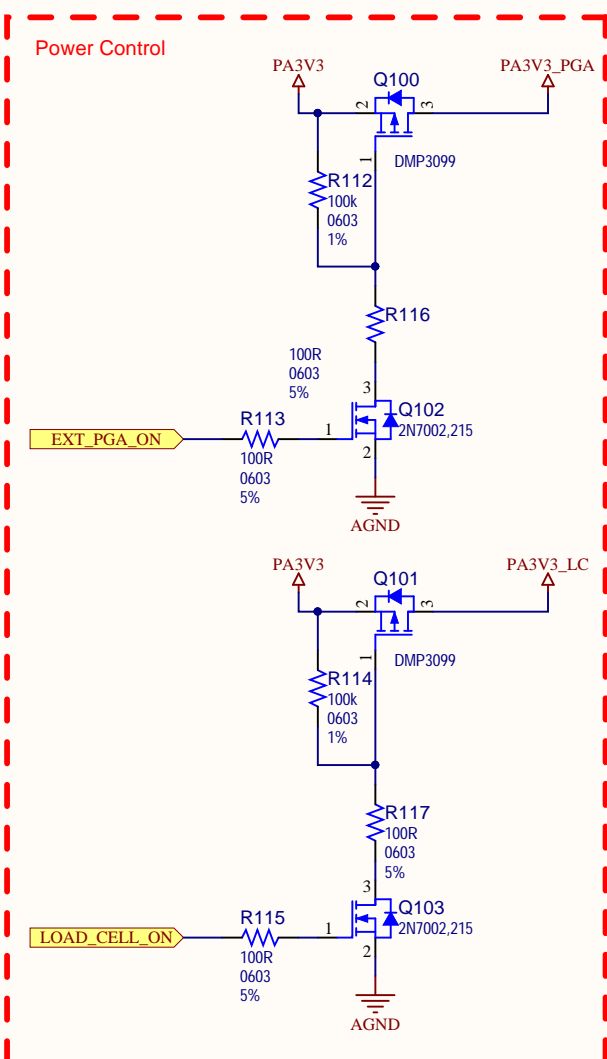
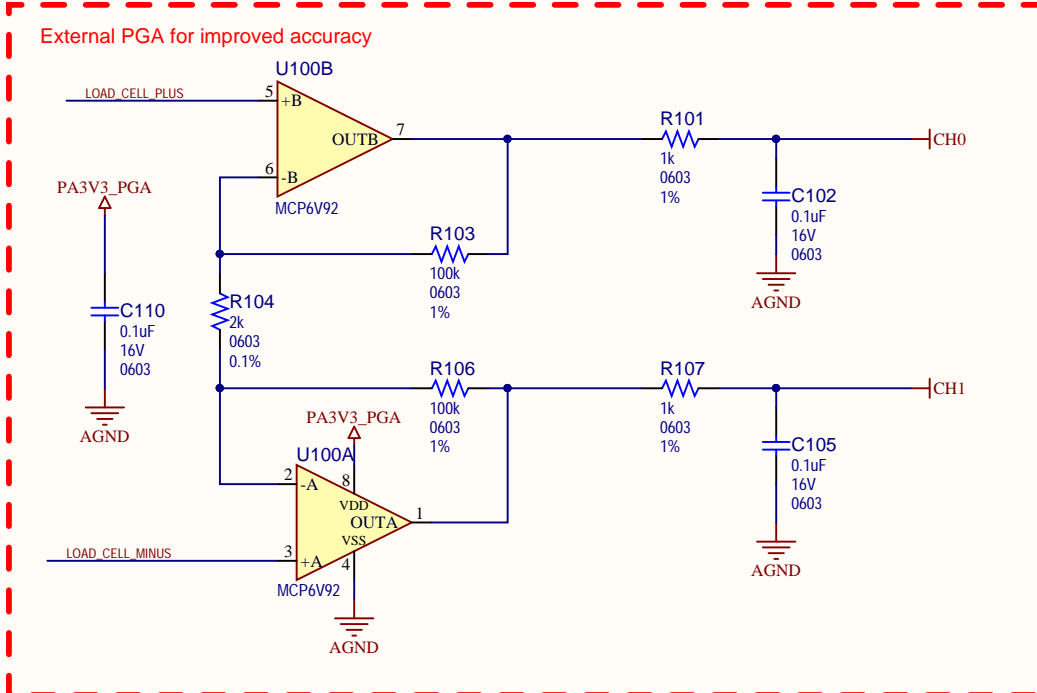
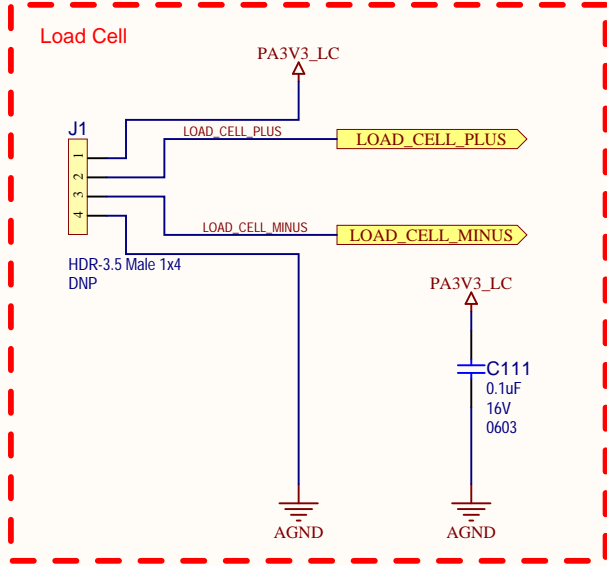
Drawn By: Dana Diaconu		
Engineer: Dana Diaconu		
PartNumber: ARD00906	Project Title MCP3564 Weight Scale	
Sheet Title Mechanical		
Size B	Sch #:03-10840	Date: 1/23/2019 1:11:36 PM
	Revision:2	Sheet 2 of 7
File: Mechanical.SchDoc		

Designed with
Altium
Altium.com



Drawn By: Dana Diaconu		
Engineer: Dana Diaconu		
PartNumber: ARD00906	Project Title MCP3564 Weight Scale	
Sheet Title Low_Power_Adc		Designed with
Size B	Sch #03-10840	Date: 1/23/2019 1:11:37 PM
	Revision:2	Sheet 3 of 7
File: Low_Power_ADC.SchDoc		

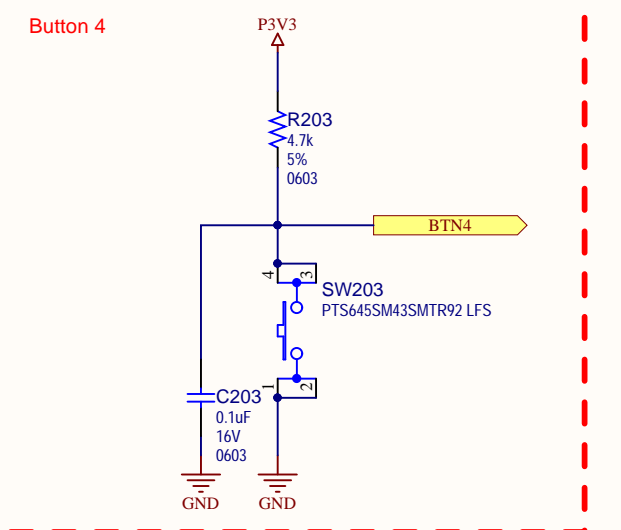
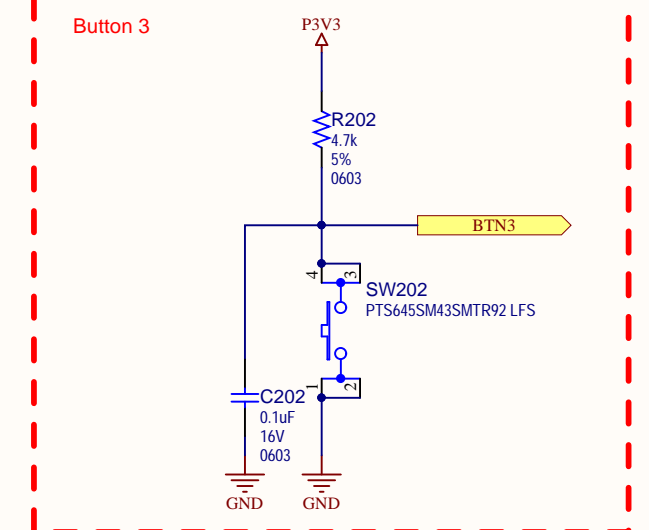
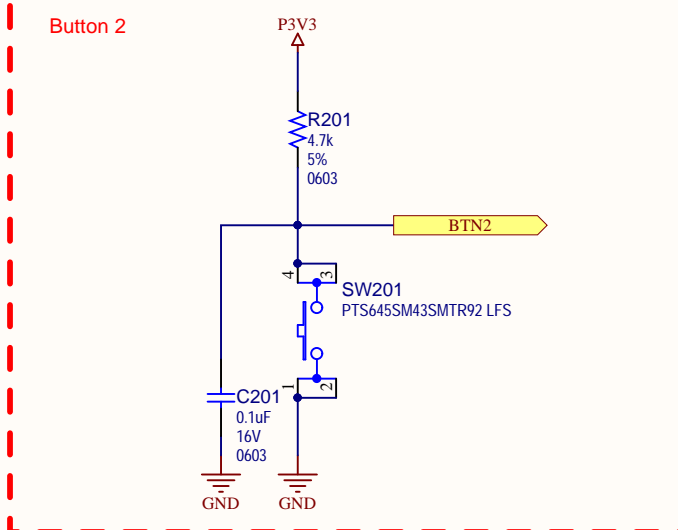
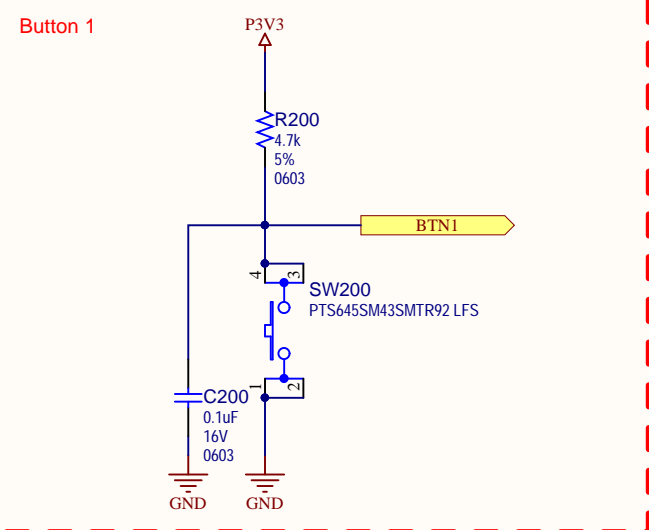
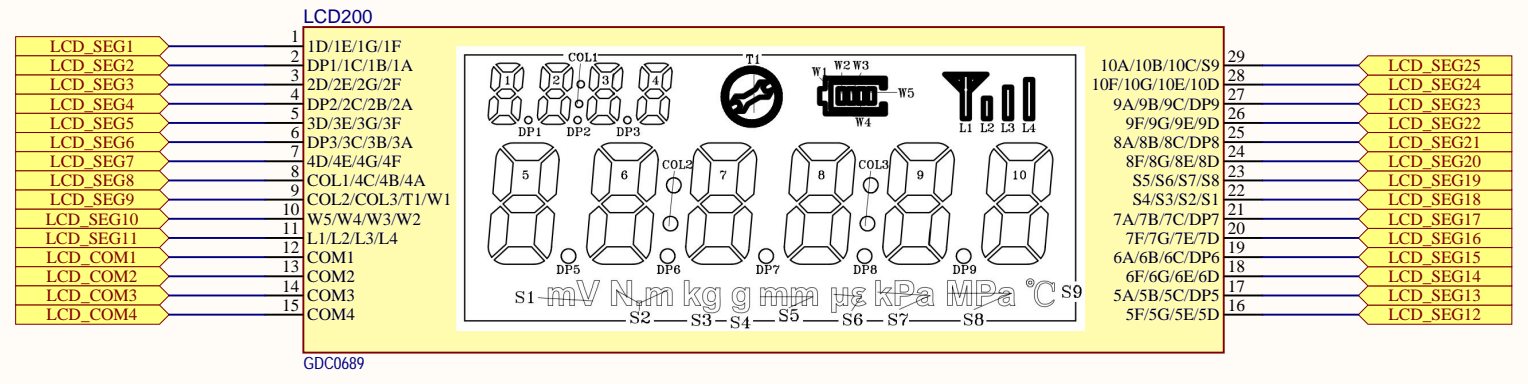
REV	ECO#	DESCRIPTION	DATE



Drawn By: Dana Diaconu	
Engineer: Dana Diaconu	
PartNumber: ARD00906	Project Title MCP3564 Weight Scale
Sheet Title Analog	Designed with
Size B	Sch #:03-10840
Revision:2	Date: 1/23/2019 1:11:37 PM
File: Analog.SchDoc	Sheet 4 of 7

REV	ECO#	DESCRIPTION	DATE

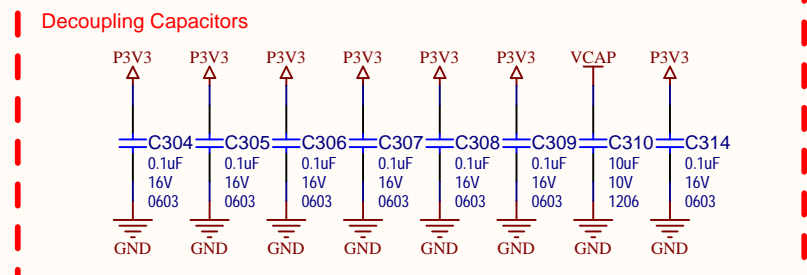
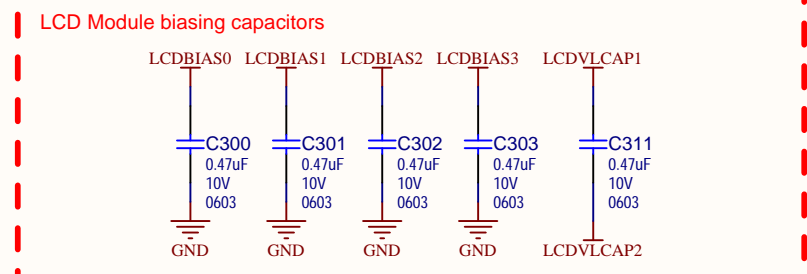
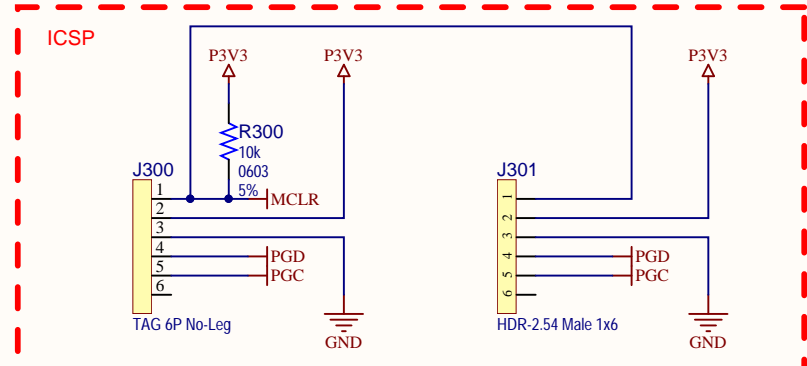
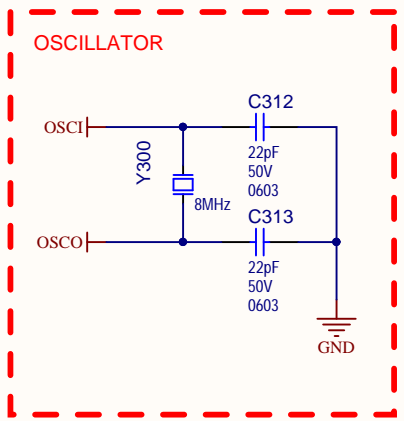
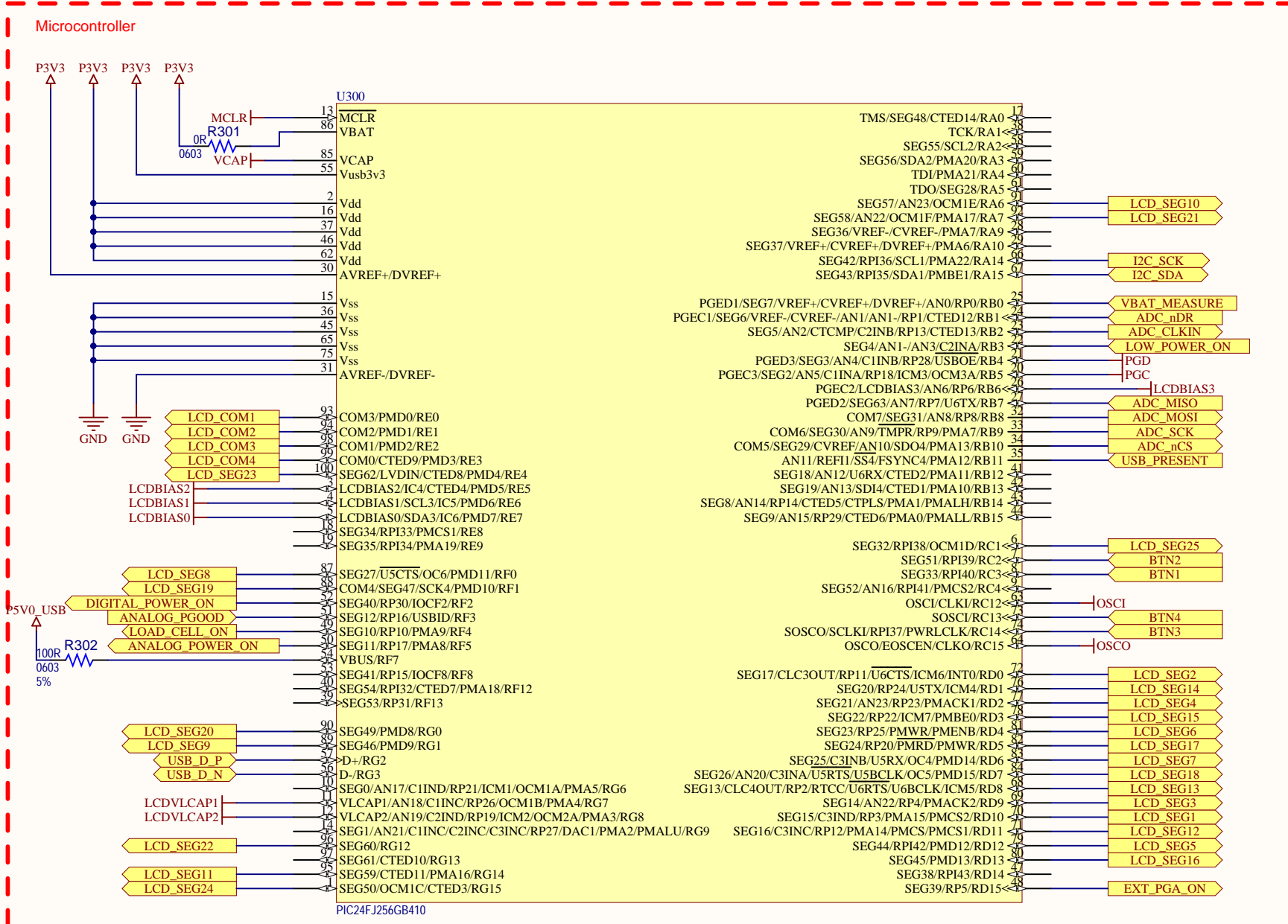
Driverless LCD



Drawn By: Dana Diaconu		
Engineer: Dana Diaconu		
PartNumber: ARD00906	Project Title MCP3564 Weight Scale	
Sheet Title Human Interface		
Size B	Sch #03-10840	Date: 1/23/2019 1:11:38 PM
	Revision:2	Sheet 5 of 7
File: Human_Interface.SchDoc		

Designed with Altium.com

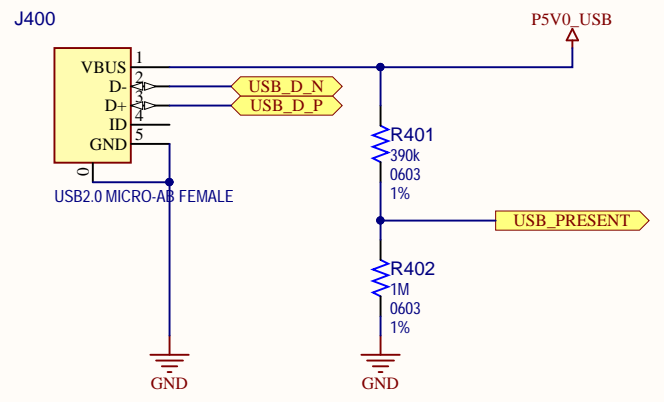
REV	ECO#	DESCRIPTION	DATE



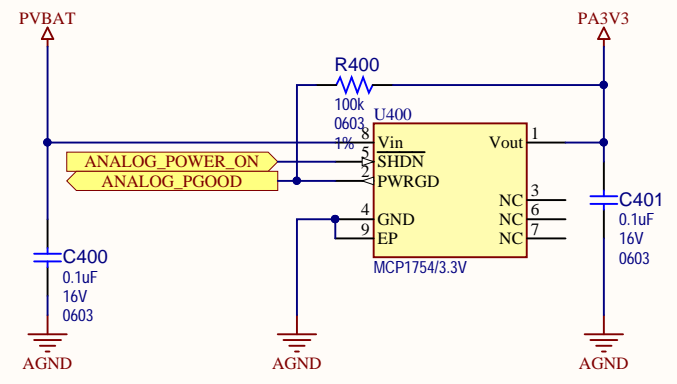
Drawn By: Dana Diaconu	
Engineer: Dana Diaconu	
PartNumber: ARD00906	Project Title MCP3564 Weight Scale
Sheet Title Microcontroller	Designed with
Size B	Sch #03-10840 Date: 1/23/2019 1:11:39 PM
File: Microcontroller.SchDoc	Revision:2 Sheet 6 of 7

REV	ECO#	DESCRIPTION	DATE

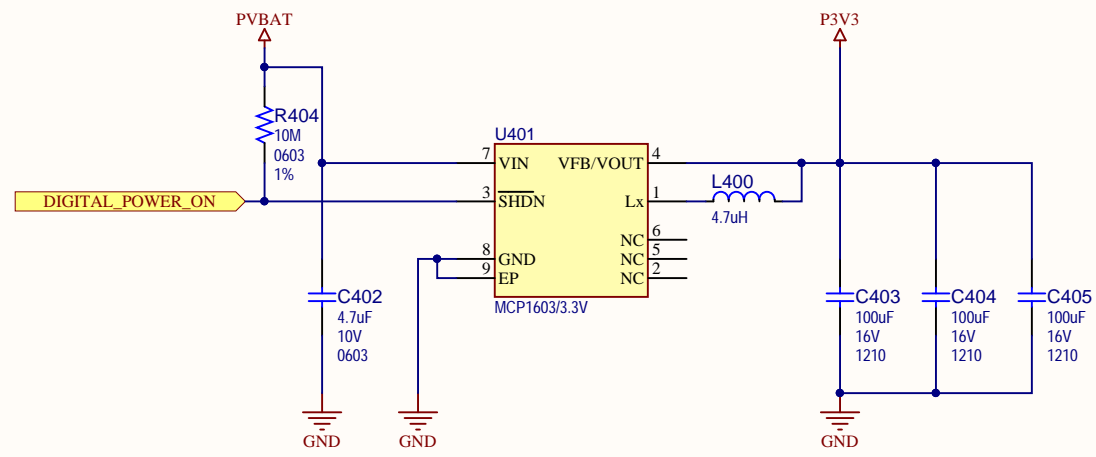
USB Connector



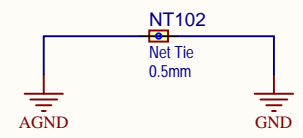
Analog Power Supply



Digital Power Supply



Ground Connection



Drawn By: Dana Diaconu		
Engineer: Dana Diaconu		
PartNumber: ARD00906	Project Title MCP3564 Weight Scale	
Sheet Title Power	Designed with 	
Size B	Sch #03-10840	Date: 1/23/2019 1:11:39 PM
Revision:2	Sheet 7 of 7	
File: Power.SchDoc		