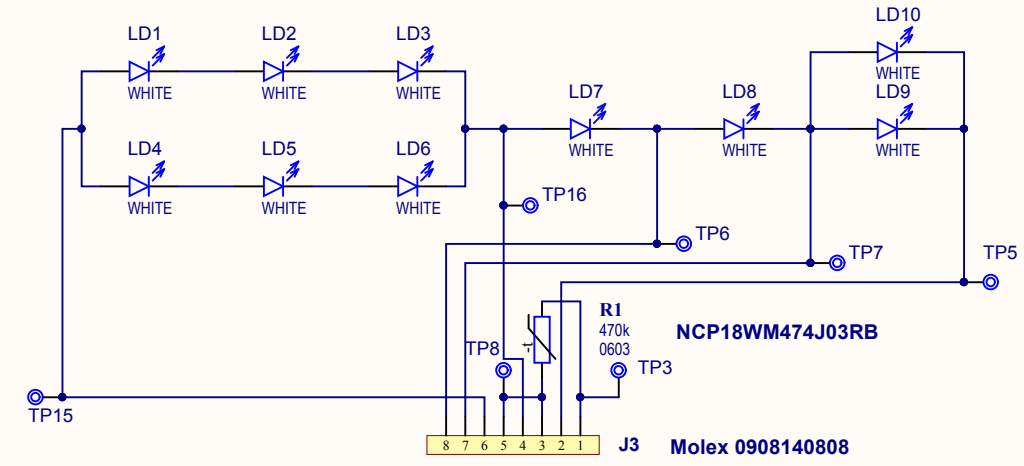


REV	ECO#	DESCRIPTION	DATE

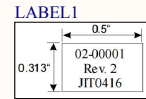
LED1-10 Osram Duris S8 GW P9LR31.EM



Drawn By: Sergiu Gheorghe	
Engineer: Sergiu Gheorghe	
PartNumber: ADM00767	Project Title CL88020 LED Load Board
Sheet Title CL88020 DURIS S8 LED LOAD	<i>Designed with</i>
Size B	Sch #:03-10560 Date: 4/4/2017 3:33:16 PM
Revision:1	Sheet 1 of 2
File: D01-CL88020Load.SchDoc	

A

A



LABEL1
LABEL Assy Very Small



TAPE 1
TAPE THERMAL SHEET 60 mm dia



HS2
HEATSINK MechaTronix LPF60A30-5-B
Heatsink

B

B

C

C

D

D

Drawn By: Sergiu Gheorghe			
Engineer: Sergiu Gheorghe			
PartNumber: ADM00767	Project Title CL88020 LED Load Board		
Sheet Title Mechanical Parts for CL88020 LED Load		 Designed with Altium.com	
Size B	Sch #:03-10560		Date: 4/4/2017 3:33:16 PM
	Revision:1		Sheet 2 of 2
File: D02-Mechanical.SchDoc			