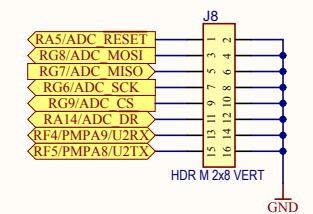
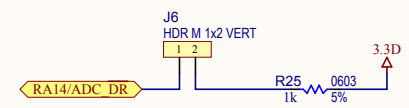
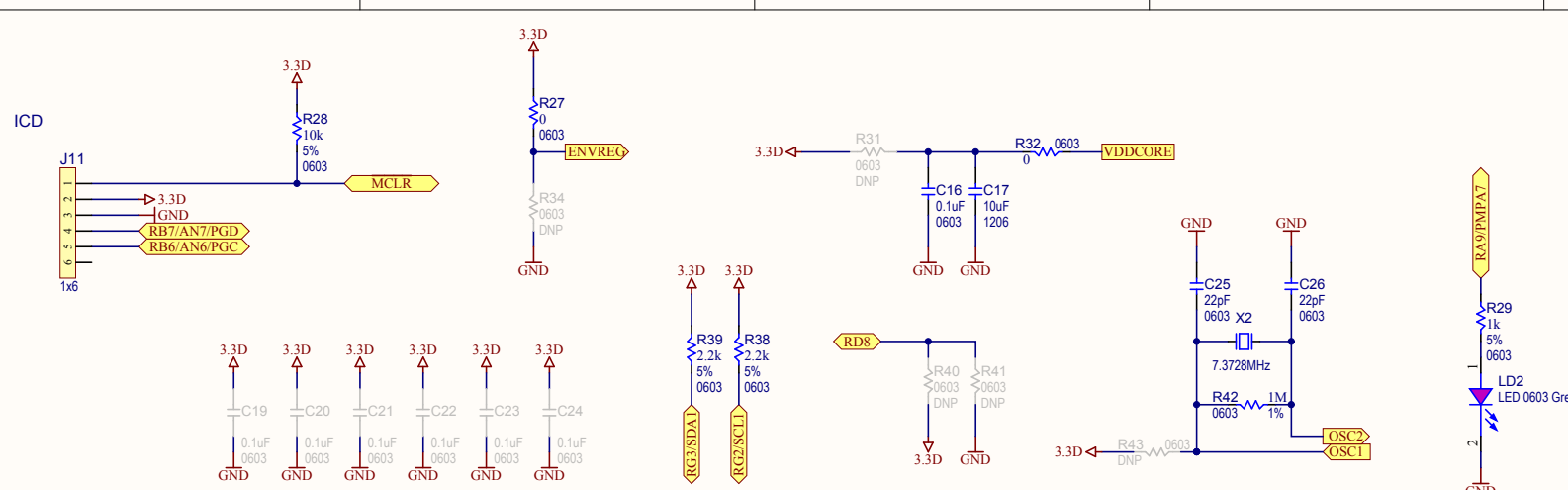


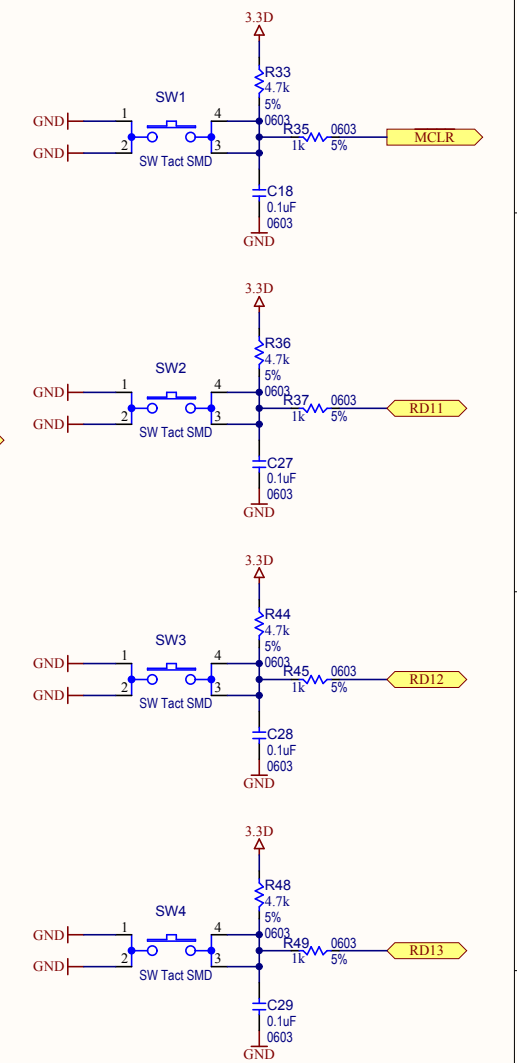
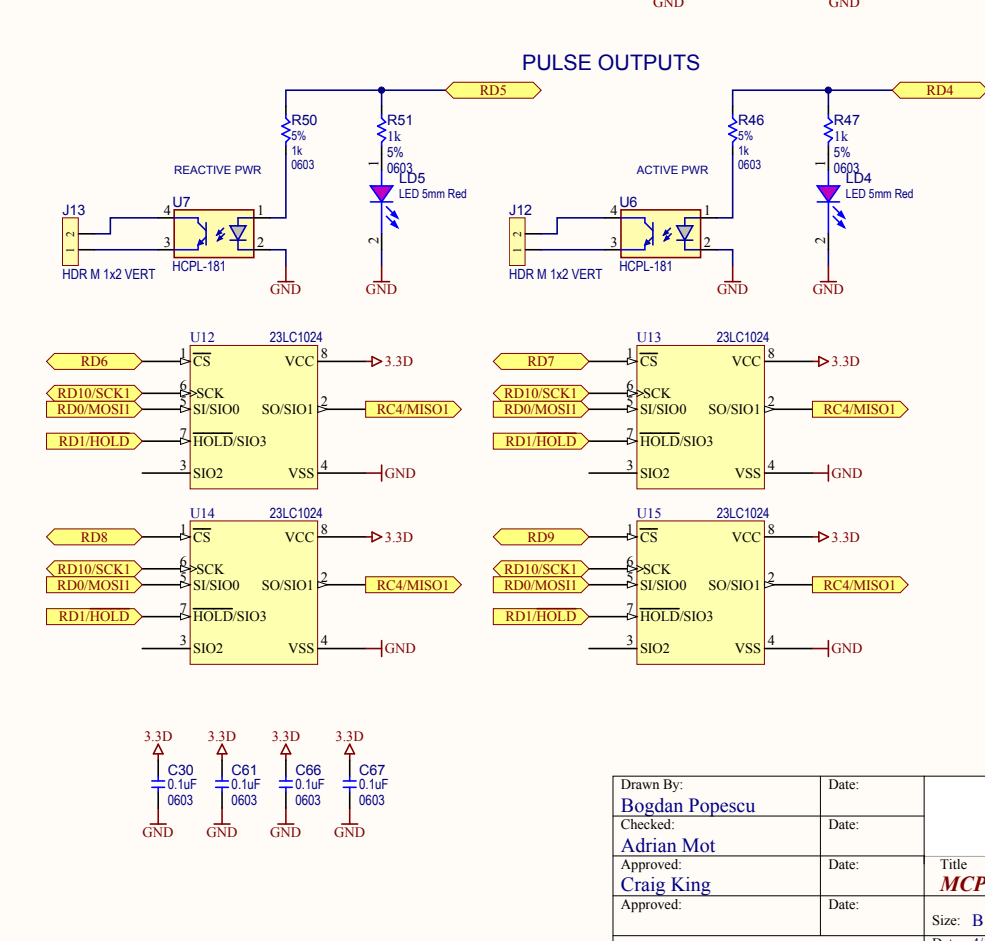
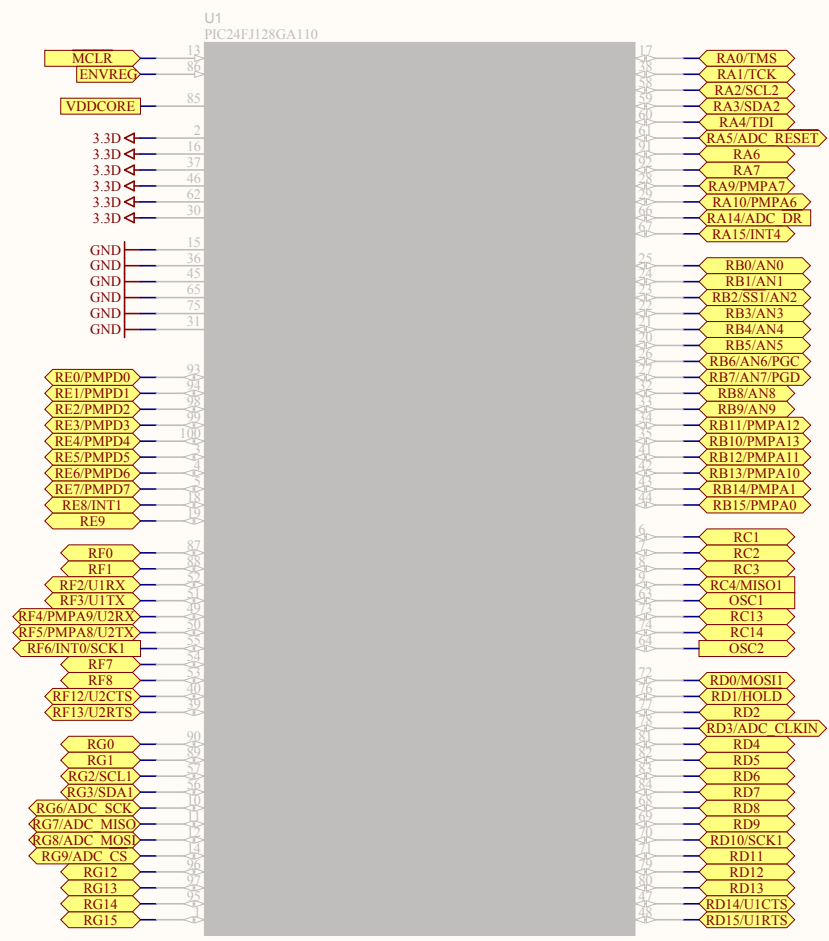
Revision History				
Rev	ECO	Description	Date	Approved



Drawn By: Bogdan Popescu	Date:	
Checked: Adrian Mot	Date:	
Approved: Craig King	Date:	Title: MCP3914 Eval Board
Approved:	Date:	Size: B Number: ADM00461 Revision: 4
Date: 4/18/2013 Time: 6:19:19 PM		Sheet 2 of 5
File: ADC.SchDoc		Designed with Altium

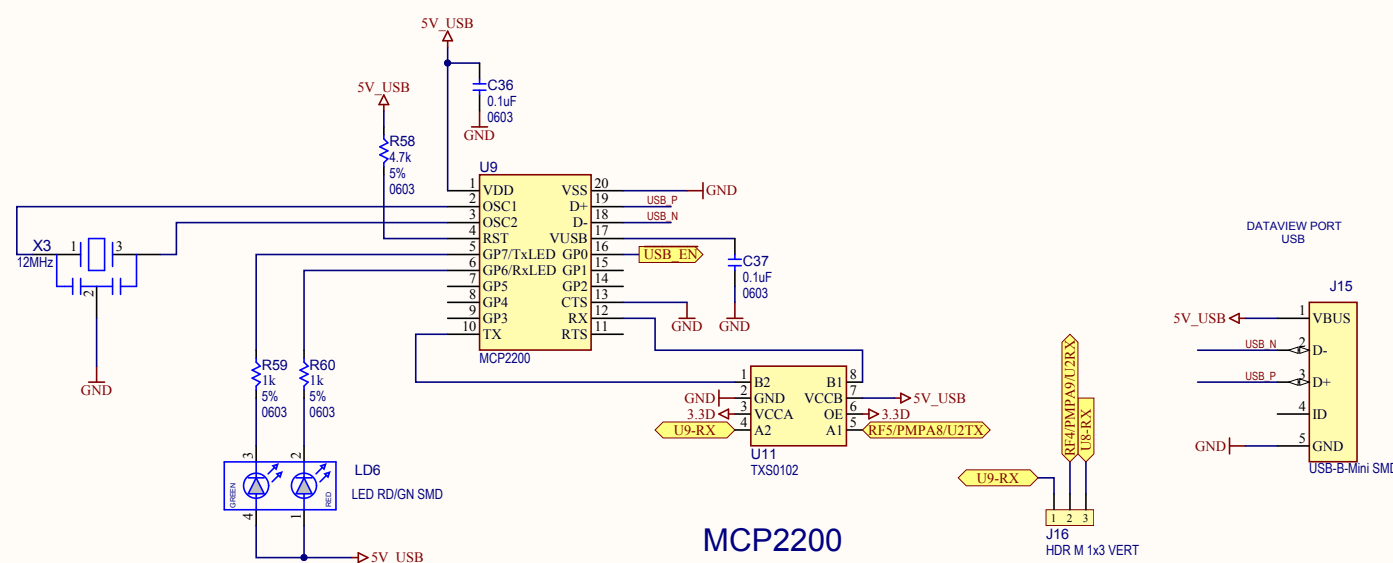
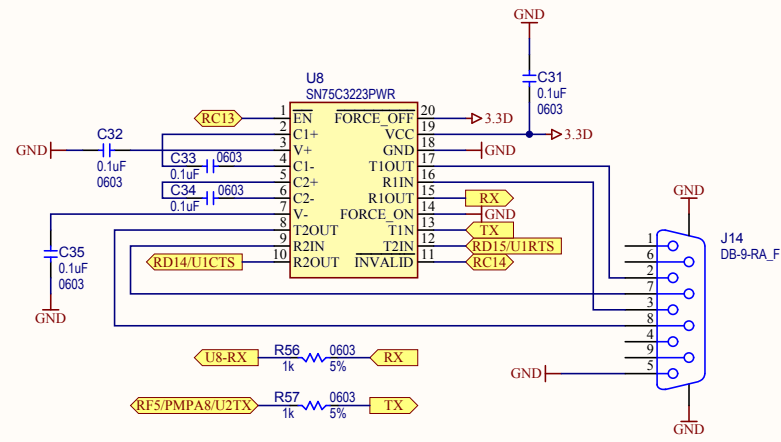
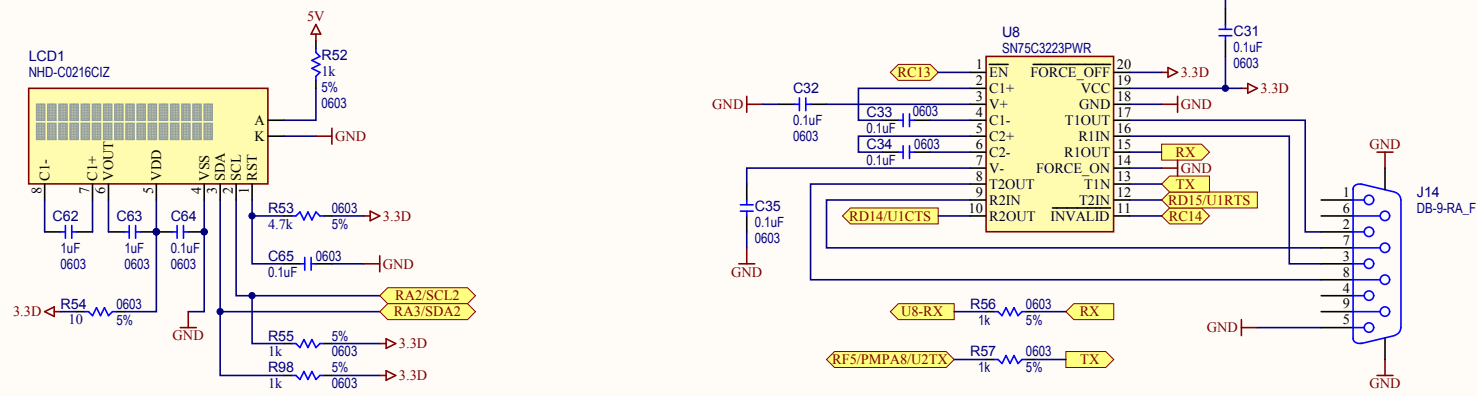


Revision History				
Rev	ECO	Description	Date	Approved



Drawn By: Bogdan Popescu	Date:	
Checked: Adrian Mot	Date:	
Approved: Craig King	Date:	Title: MCP3914 Eval Board
Approved:	Date:	Size: B Number: ADM00461 Revision: 4
Date: 4/18/2013 Time: 6:19:19 PM		Sheet 3 of 5
File: MCU.SCHDOC		Designed with Altium <small>www.Altium.com</small>

Revision History				
Rev	ECO	Description	Date	Approved



MCP2200

Drawn By: Bogdan Popescu	Date:	
Checked: Adrian Mot	Date:	
Approved: Craig King	Date:	Title: MCP3914 Eval Board
Approved:	Date:	Size: B Number: ADM00461 Revision: 4
Date: 4/18/2013 Time: 6:19:19 PM		Sheet 5 of 5
File: LCD+USB+RS232.SchDoc		Designed with