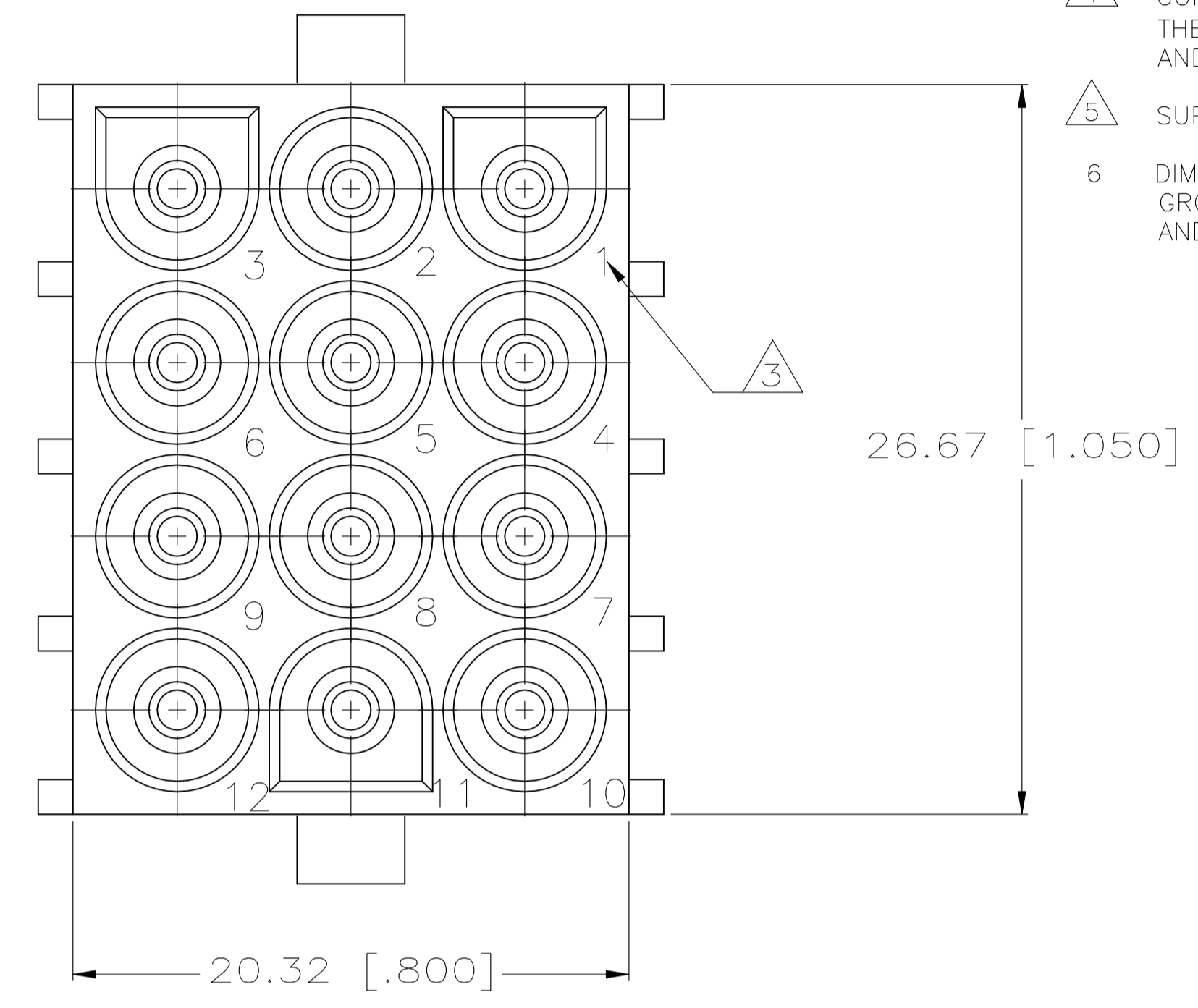
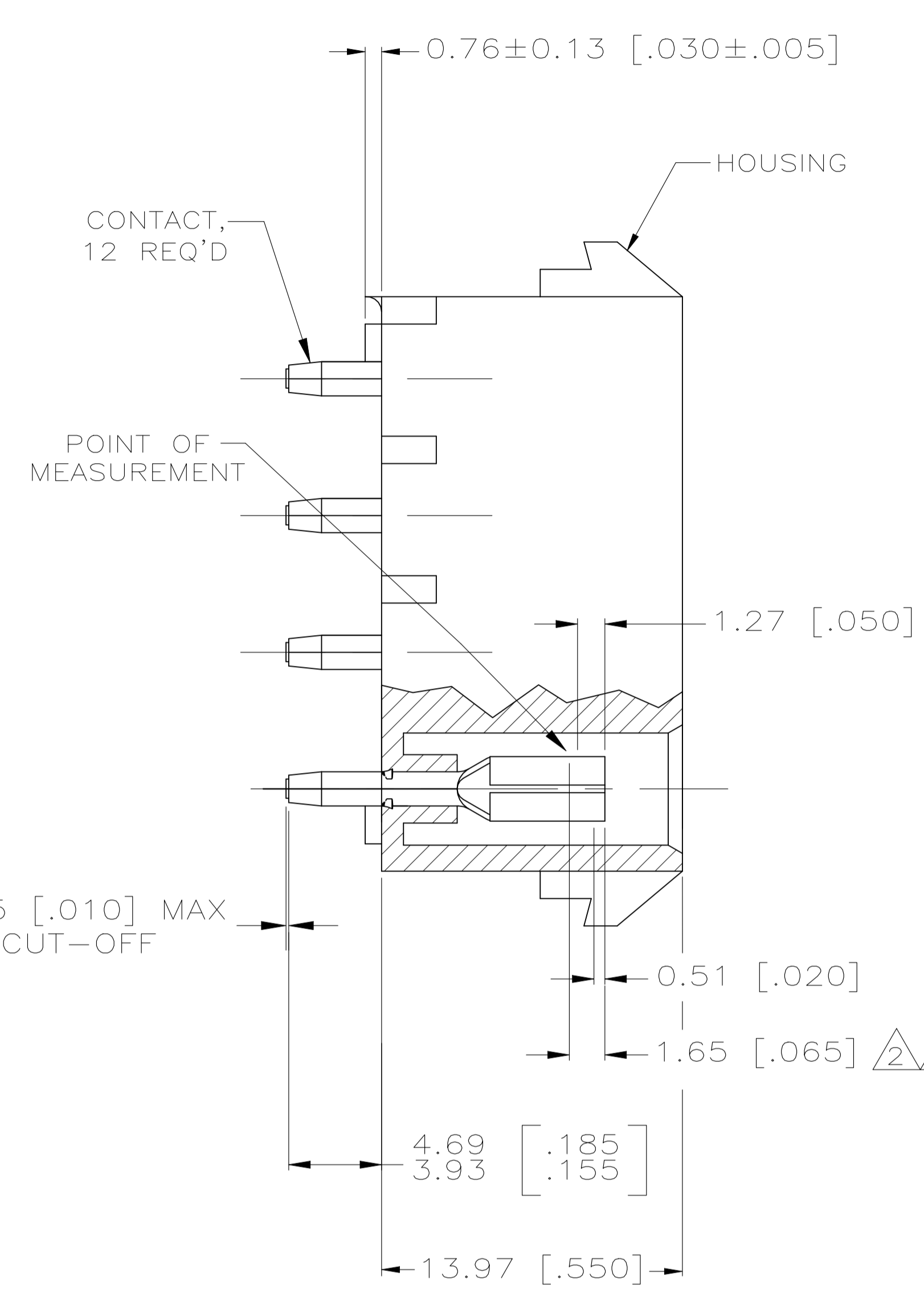
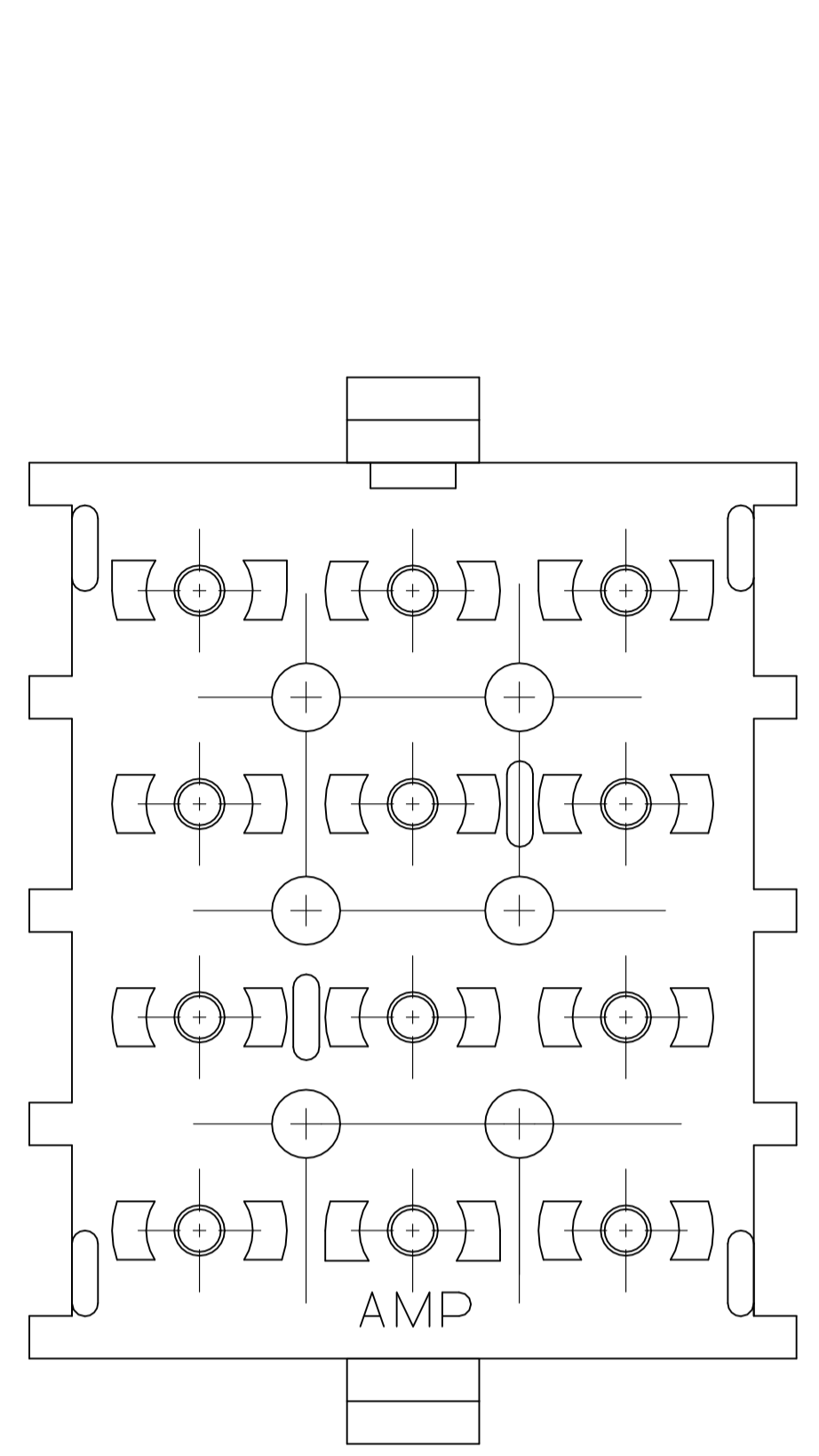
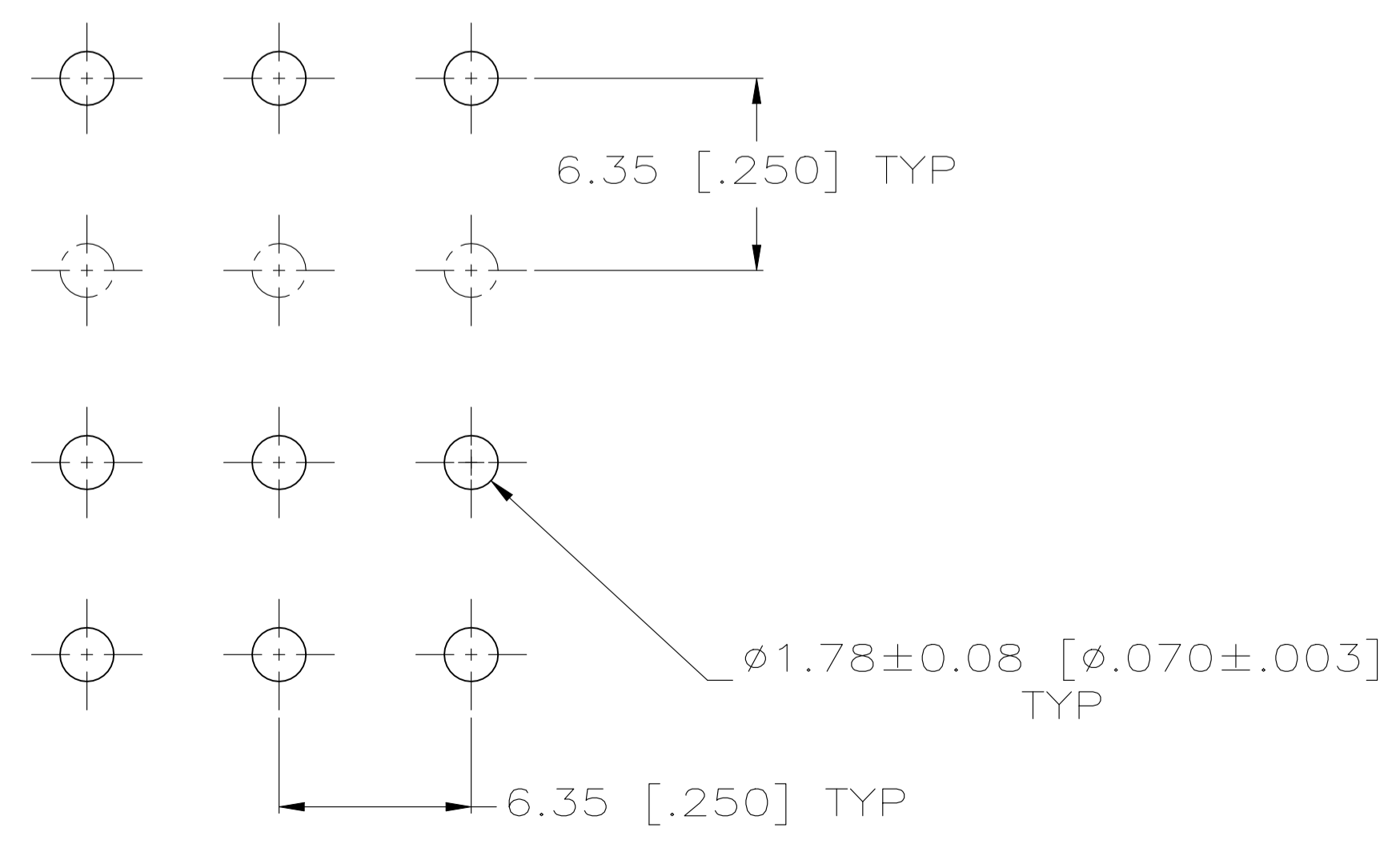


LOC		DIST		REVISIONS			
CM	00	REV	DATE	BY	CHK	APP'D	
M2	REVISED	PER	ECR-21-118795	01AUG22	GR	VS	



- 1 PARTS MUST COMPLY WITH AMP SOLDERABILITY SPEC 109-11-3.
- Δ 2 CONTACT IS STAMPED FROM PRE-PLATED STOCK WHICH IS PLATED OVERALL WITH 0.00127 [.000050] NICKEL, THEN STRIPED WITH 0.00076 [.000030] GOLD IN CONTACT AREA INDICATED AND TIN-LEAD ON SOLDER TAIL END.
- Δ 3 CIRCUIT IDENTIFICATION CHARACTERS ARE ADJACENT TO THE INDICATED CAVITIES, BUT LOCATION AND ORIENTATION MAY DIFFER FROM PRINT.
- Δ 4 CONTACT IS PLATED OVERALL WITH 0.00127 [.000050] NICKEL, THEN 0.00076 [.000030] GOLD OVER CONTACT LENGTH INDICATED AND MATTE TIN ON SOLDER TAIL END.
- Δ 5 SUPERSEDED BY 350829-4
- 6 DIMENSION SHOWN REPRESENT PRODUCT IN DRY CONDITION. ADDITIONAL 2% GROWTH DUE TO END USE LOCATION MOISTURE ABSORPTION MAY OCCUR AND SHOULD BE ACCOUNTED FOR.



RECOMMENDED LAYOUT FOR 1.58 [.062] THICK PC BOARD

Δ 5	PH BRZ GOLD Δ 4	NYLON,UL 94V-0	350829-4
	PH BRZ GOLD Δ 2	NYLON,UL 94V-0	350829-2
	PH BRZ TIN	NYLON,UL 94V-0	350829-1
	CONTACT	HOUSING	PART NO

DIMENSIONS:		TOLERANCES UNLESS OTHERWISE SPECIFIED:		APPROVED:		NAME:	
mm	[INCHES]	0. PL	±	DATE	BY	DATE	BY
		1. PL	±	11OCT2005	K. WHITAKER	11OCT2005	S. RIDGILL
		2. PL	±				
		3. PL	± 0.13 [.005]				
		4. PL	±				
		ANGLES	±				

THIS DRAWING IS A CONTROLLED DOCUMENT.		STE TE Connectivity	
APPLICATION SPEC		12 CIRCUIT UNIVERSAL MATE-N-LOK (TM) P.C. BOARD SOCKET HEADER ASSEMBLY	
SIZE	A1	CAGE CODE	00779
DRAWING NO	C=350829	DATE	01AUG22
WEIGHT		REV	M2
CUSTOMER DRAWING	SCALE 5:1	SHEET 1 of 1	REV M2