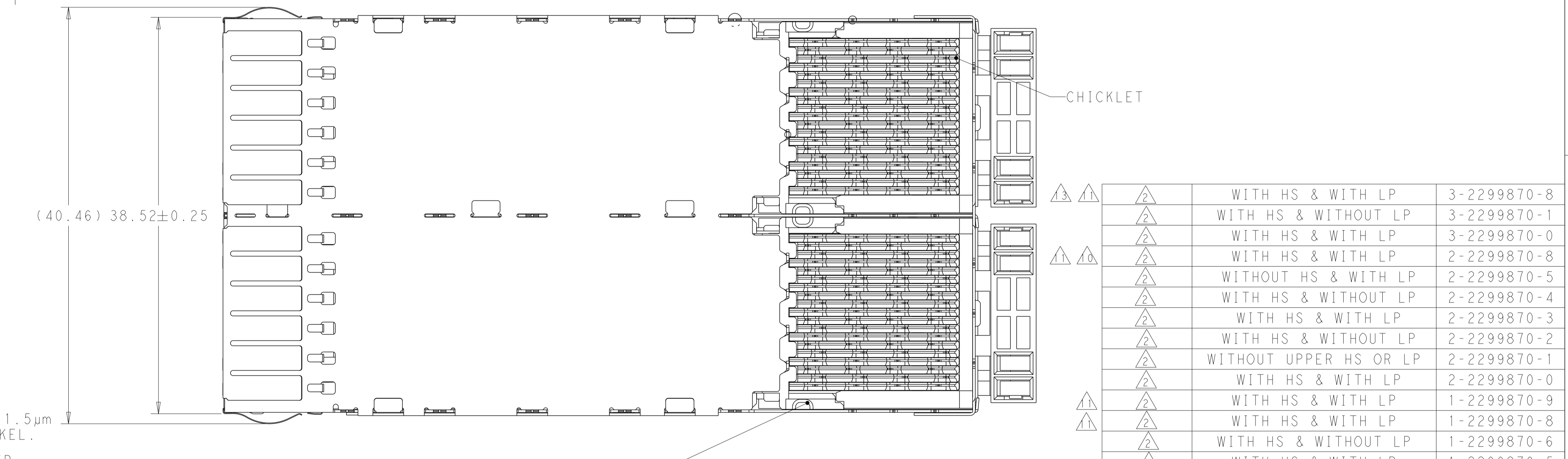
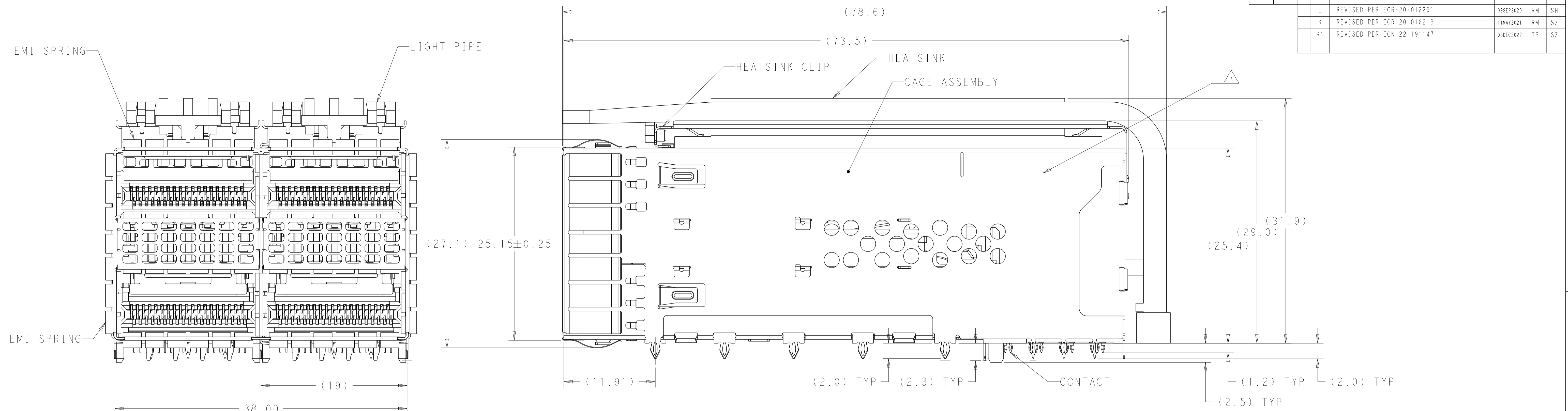


LOC	DIST	REVISIONS					
GP	00	P	LTN	DESCRIPTION	DATE	DWN	APVD
		J		REVISED PER ECR-20-012291	09SEP2020	RM	SH
		K		REVISED PER ECR-20-016213	11MAY2021	RM	SZ
		K1		REVISED PER ECN-22-191147	05DEC2022	TP	SZ



1. MATERIALS:
 CAGE ASSEMBLY- NICKEL SILVER ALLOY PER ASTM B 122.
 EMI SPRING- COPPER ALLOY, NICKEL PLATED.
 HOUSING- POLYESTER LCP WITH 94V-0.
 CHICKLET- POLYESTER LCP WITH 94V-0.
 CONTACT- COPPER ALLOY.
 LIGHTPIPE- POLYCARBONATE WITH 94V-0.

- ② CONTACT FINISH: 0.76µm GOLD ON MATING AREA, 0.7-1.5µm MATT TIN ON COMPLIANT AREA, ALL OVER 1.27µm NICKEL.
- ③ DATUM AND BASIC DIMENSION ESTABLISHED BY CUSTOMER.
- 4. MINIMUM PCB THICKNESS OF 1.57.
- ⑤ THE ENTIRE AREA OF THE CONNECTOR FOOTPRINT, INDICATED BY THE DASHED LINE, TO BE CONSIDERED THE KEEPOUT AREA FOR COMPONENTS AND TRACES.
- ⑥ CROSS-HATCHED AREAS REPRESENT ZONES ON THE PCB THAT COME IN CONTACT WITH OR BE IN CLOSE PROXIMITY TO THE PLASTIC HOUSING OR THE CONNECTOR CAGE. INDICATED AREAS TO BE CONSIDERED TRACE FREE.
- ⑦ PART NUMBER AND DATE CODE MAKED IN APPROXIMATE AREA SHOWN.
- ⑧ HATCHED AREA IS PLACEMENT ZONE FOR LED. LED SHOULD BE CENTERED WITHIN ZONE. RECOMMEND 0805 PACKAGE.
- ⑨ CONTACT FINISH: 0.08µm MINIMUM GOLD OVER 0.68µm PALLADIUM-NICKEL ON MATING AREA, 0.7-1.5µm MATT TIN ON COMPLIANT AREA, ALL OVER 1.27µm NICKEL.
- ⑩ LOW Br/CI AS DEFINED IN TEC-138-702.
- ⑪ LIGHT PIPE WITH COATING.
- ⑫ REMOVE THE PCB HOLES FOR 3-2299870-0 FOR SPECIAL APPLICATION.
- ⑬ HEAT SINK WITH NICKEL PLATING

②	DESCRIPTION	PART NUMBER	
②	WITH HS & WITH LP	3-2299870-8	
②	WITH HS & WITHOUT LP	3-2299870-1	
②	WITH HS & WITH LP	3-2299870-0	
②	WITH HS & WITH LP	2-2299870-8	
②	WITHOUT HS & WITH LP	2-2299870-5	
②	WITH HS & WITHOUT LP	2-2299870-4	
②	WITH HS & WITH LP	2-2299870-3	
②	WITH HS & WITHOUT LP	2-2299870-2	
②	WITHOUT UPPER HS OR LP	2-2299870-1	
②	WITH HS & WITH LP	2-2299870-0	
②	WITH HS & WITH LP	1-2299870-9	
②	WITH HS & WITH LP	1-2299870-8	
②	WITH HS & WITHOUT LP	1-2299870-6	
②	WITH HS & WITH LP	1-2299870-5	
②	WITH HS & WITHOUT LP	1-2299870-3	
②	WITH HS & WITHOUT LP	1-2299870-2	
②	WITH HS & WITH LP	1-2299870-0	
②	WITH HS & WITH LP	2299870-9	
②	WITH HS & WITH LP	2299870-8	
②	WITH HS & WITH LP	2299870-7	
②	WITH HS & WITHOUT LP	2299870-6	
②	WITHOUT UPPER HS OR LP	2299870-5	
②	WITHOUT UPPER HS OR LP	2299870-4	
②	WITH HS & WITHOUT LP	2299870-3	
②	WITH HS & WITHOUT LP	2299870-2	
②	WITH HS & WITH LP	2299870-1	
②	CONTACT FINISH	DESCRIPTION	PART NUMBER

THIS DRAWING IS A CONTROLLED DOCUMENT. DWN: TIM XUE 28JAN2016
 CHG: SEAN HAN 28JAN2016
 APVD: SEAN HAN 28JAN2016

DIMENSIONS: mm
 TOLERANCES UNLESS OTHERWISE SPECIFIED:
 0 PLC ±0.25
 1 PLC ±0.15
 2 PLC ±0.10
 3 PLC ±0.05
 4 PLC ±0.02
 ANGLES FINISH ±0.1

MATERIAL: SEE NOTE 1
 FINISH: SEE NOTE 2

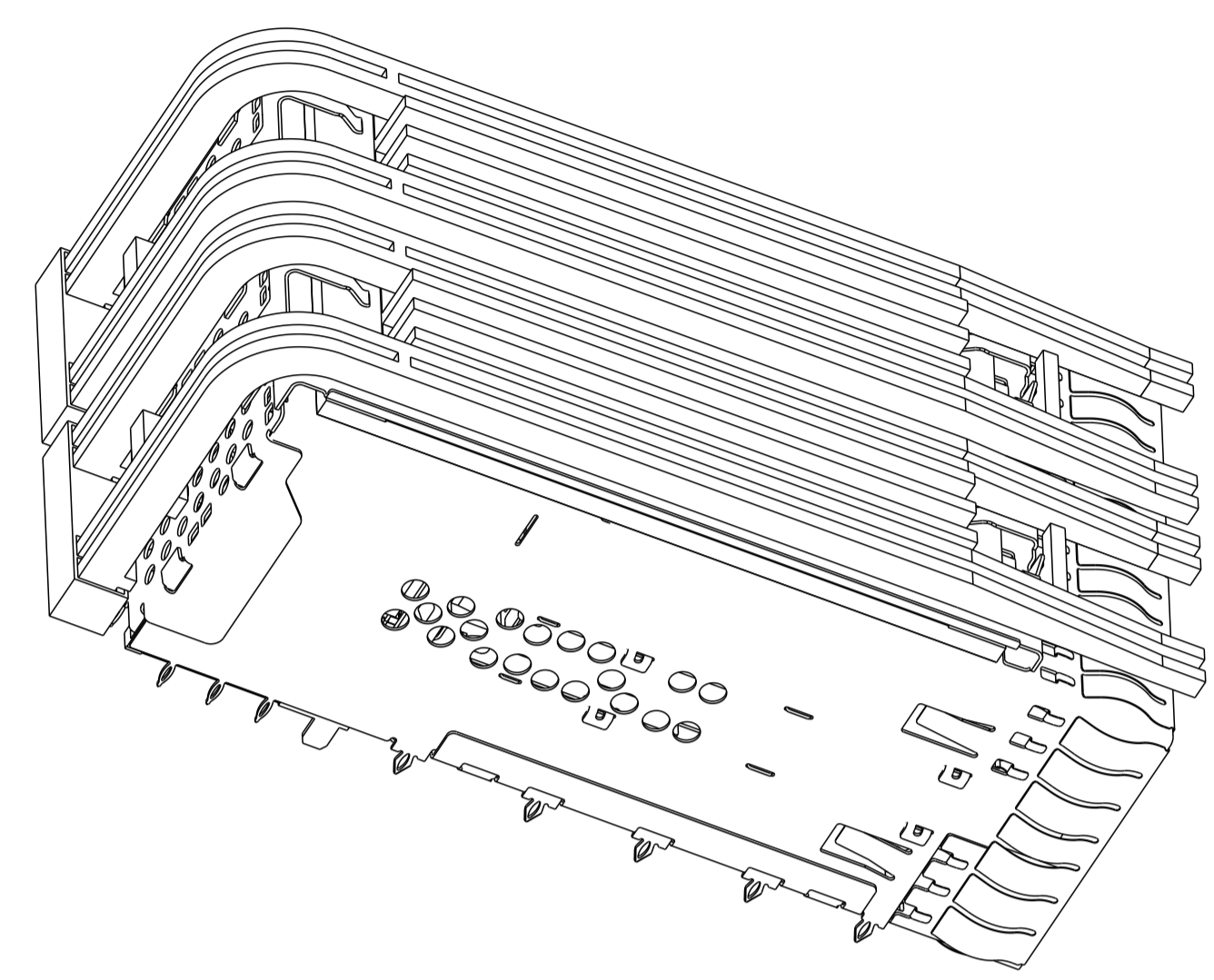
THIS DRAWING IS A CONTROLLED DOCUMENT. DWN: TIM XUE 28JAN2016
 CHG: SEAN HAN 28JAN2016
 APVD: SEAN HAN 28JAN2016

NAME: SEAN HAN
 PRODUCT SPEC: 108-60102
 APPLICATION SPEC: 114-60015

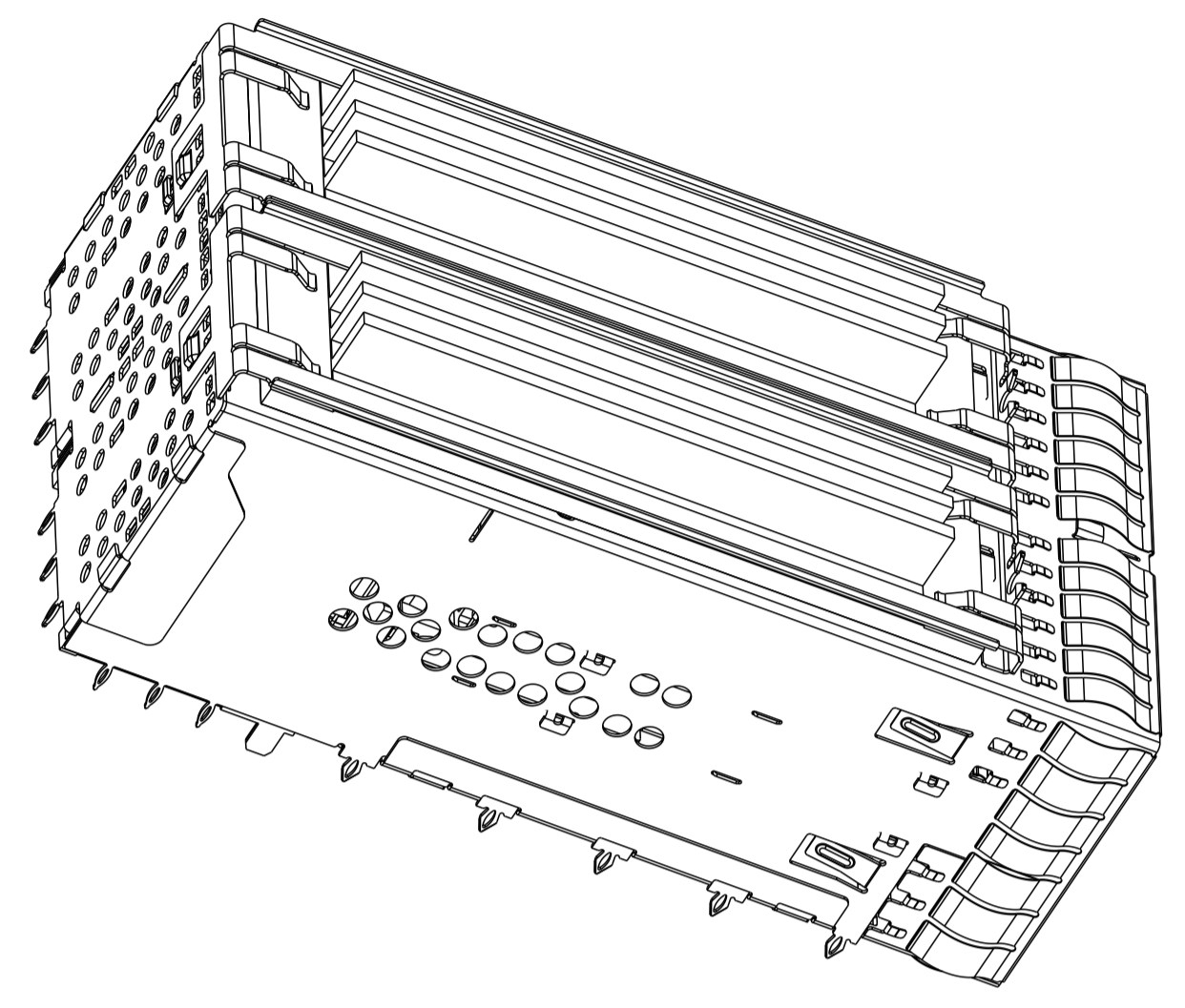
SIZE: 114-60015
 CAGE CODE: 100779
 DRAWING NO: 2299870
 RESTRICTED TO: A1

SCALE: 4:1
 SHEET: 1 OF 16
 REV: K1

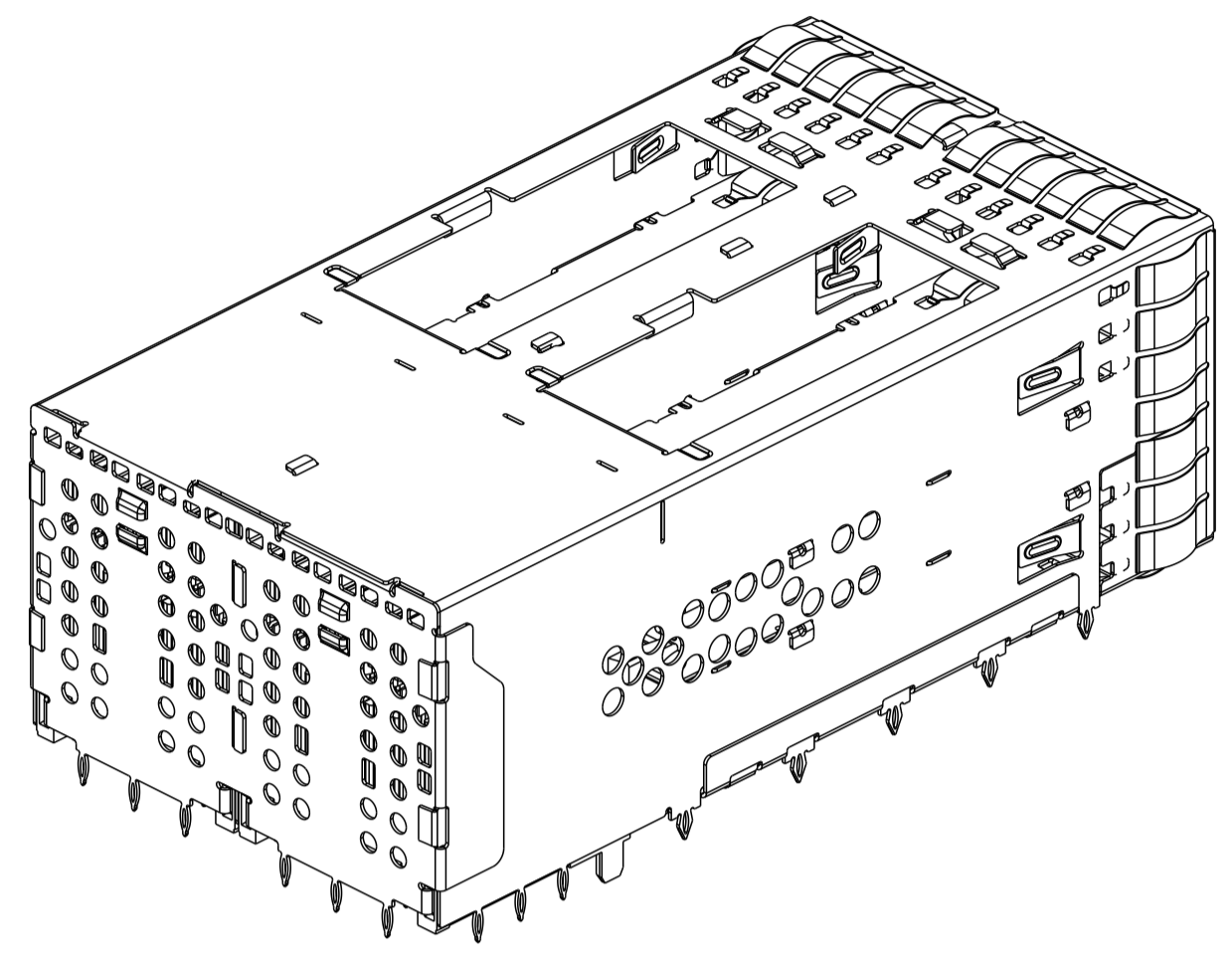
LOC	DIST	REVISIONS					
GP	00	P	LYR	DESCRIPTION	DATE	OWN	APVD
		-		SEE SHEET 1			



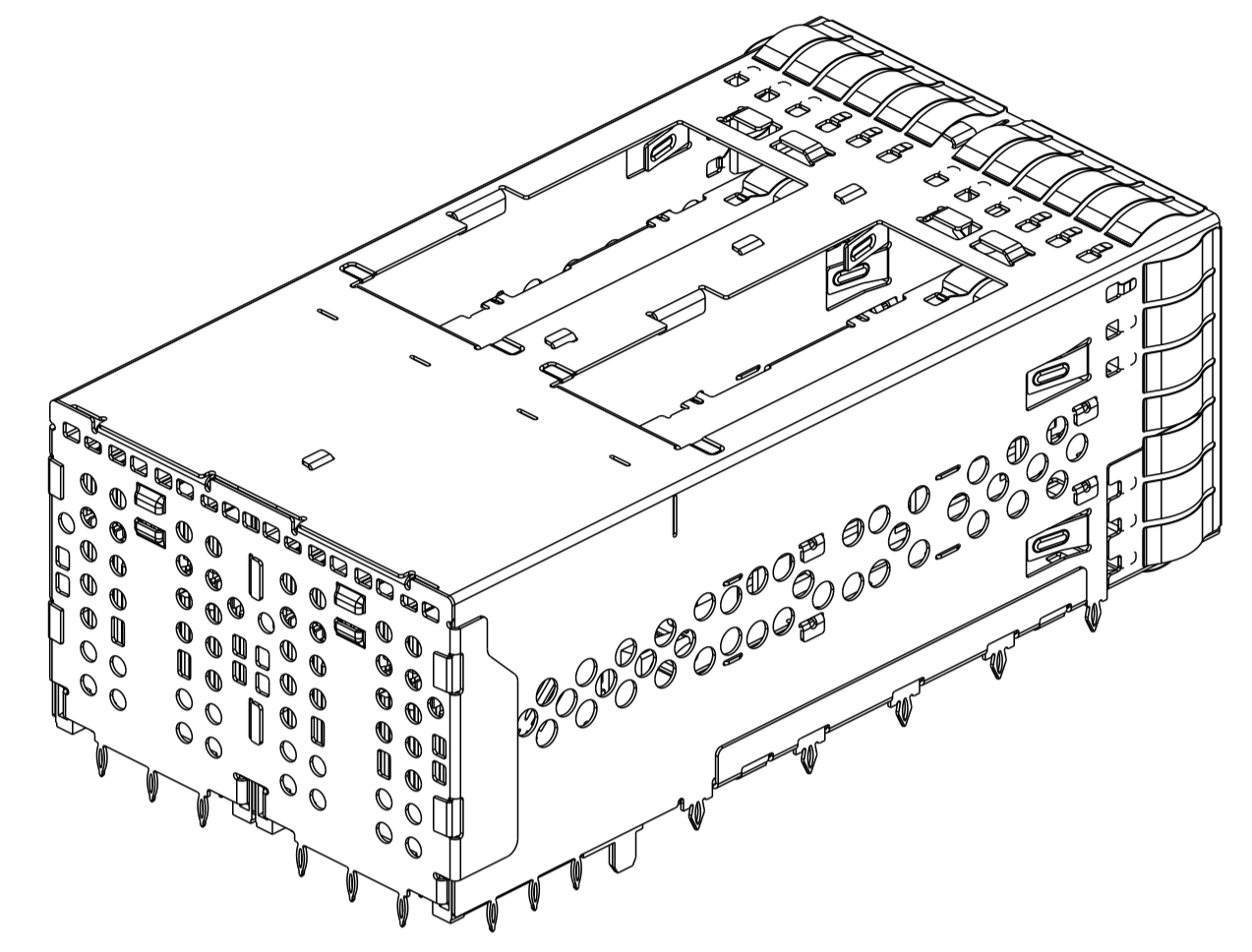
2299870-1 AS SHOWN
SCALE 2:1



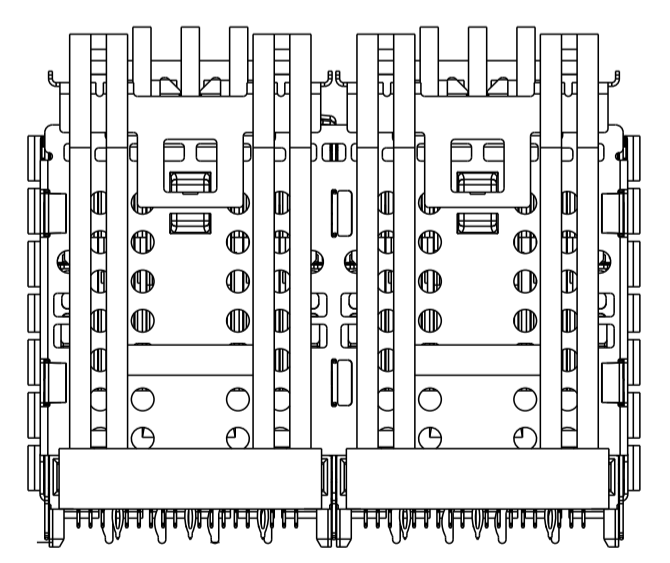
2299870-2 AND 1-2299870-2AS SHOWN
SAME AS 2299870-1 EXCEPT
W/O LEGHT PIPE AND ORGANIZER
SCALE 2:1



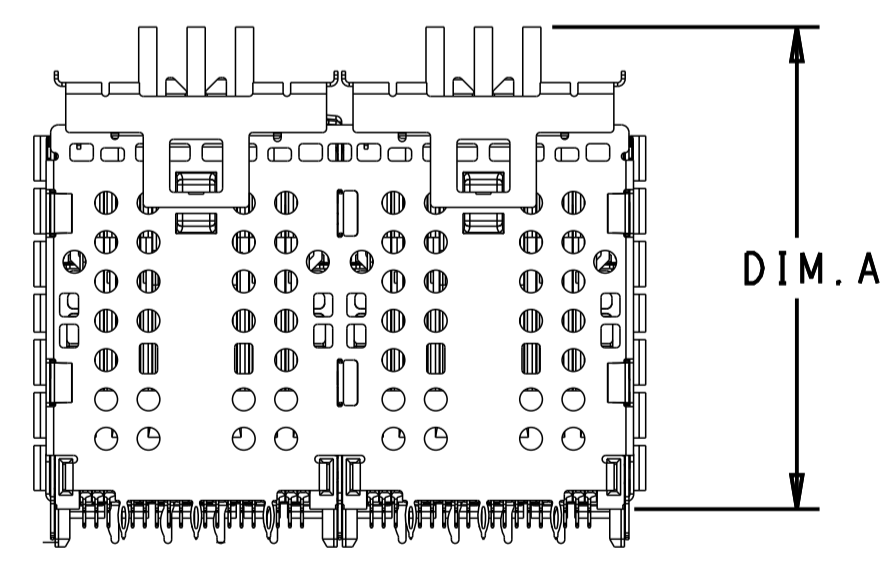
2299870-4 AS SHOWN
SAME AS 2299870-2 EXCEPT
W/O EXTERNAL HEAT SINK AND LP
SCALE 2:1



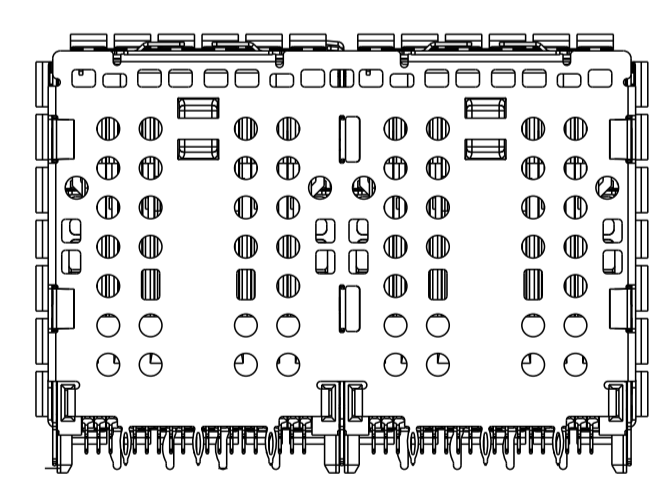
2299870-5
2-2299870-1
SCALE 2:1



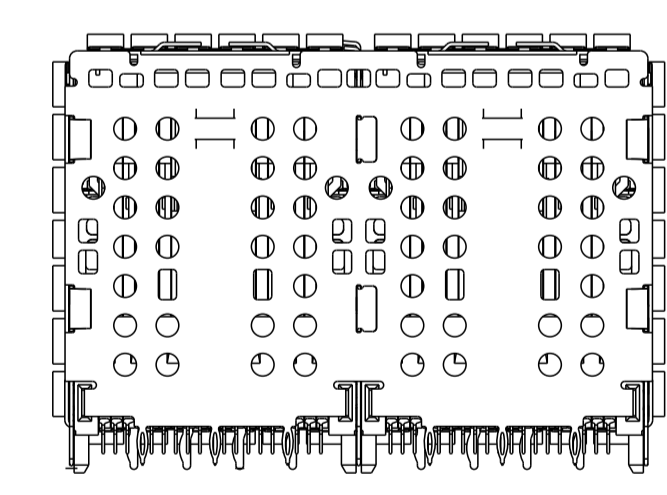
2299870-1
SCALE 2:1



2299870-2
1-2299870-2
SCALE 2:1



2299870-4
SCALE 2:1

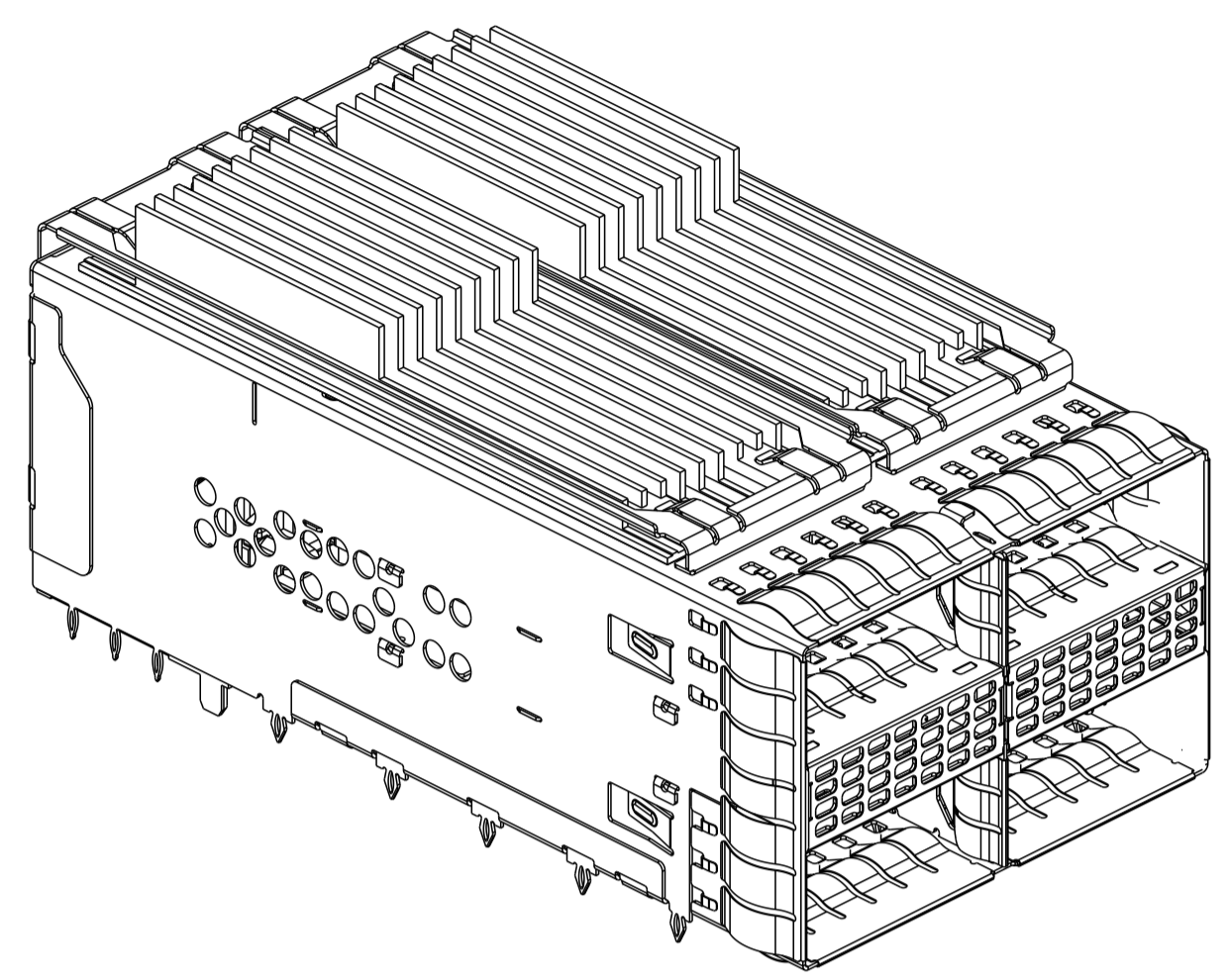


2299870-5
2-2299870-1
SCALE 2:1

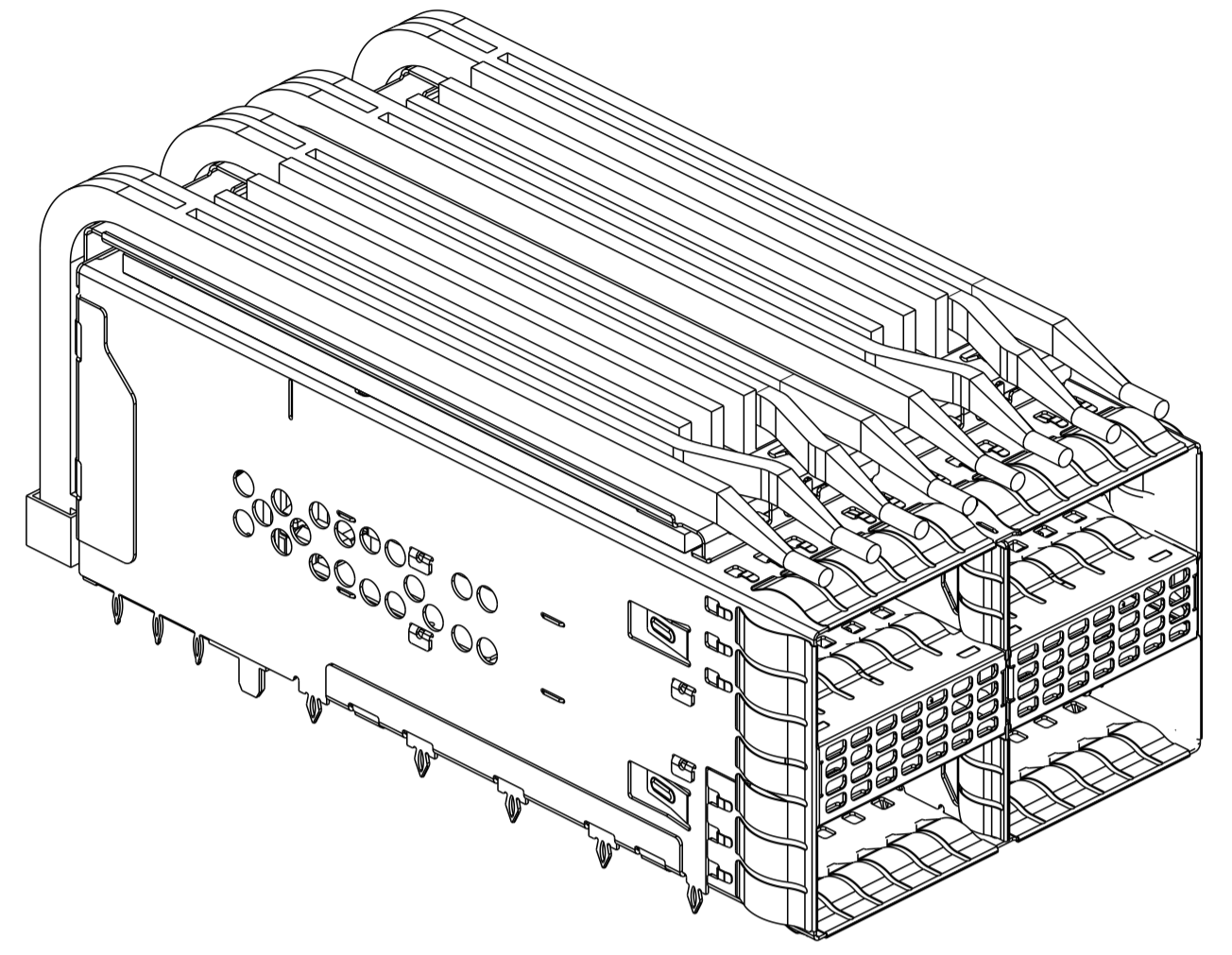
30.9	1-2299870-2
31.9	2299870-2
DIM.A	PART NUMBER

THIS DRAWING IS A CONTROLLED DOCUMENT.		OWN TIM XUE 28JAN2016	TE Connectivity
DIMENSIONS:		CHK SEAN HAN 28JAN2016	
mm	0 PLC ± 1 PLC ±0.25 2 PLC ±0.15 3 PLC ± 4 PLC ±	APVD SEAN HAN 28JAN2016	NAME CAGE AND CONNECTOR ASSEMBLY WITH EMI SPRING FINGERS, THRU BEZEL, 2X2 ZQSPF+ STACKED WITH HS
		PRODUCT SPEC 108-60102	SIZE 114-60015
MATERIAL SEE NOTE 1		FINISH SEE NOTE 2	RESTRICTED TO A100779C=2299870
		WEIGHT CUSTOMER DRAWING	SCALE 4:1 SHEET 2 OF 16 REV K1

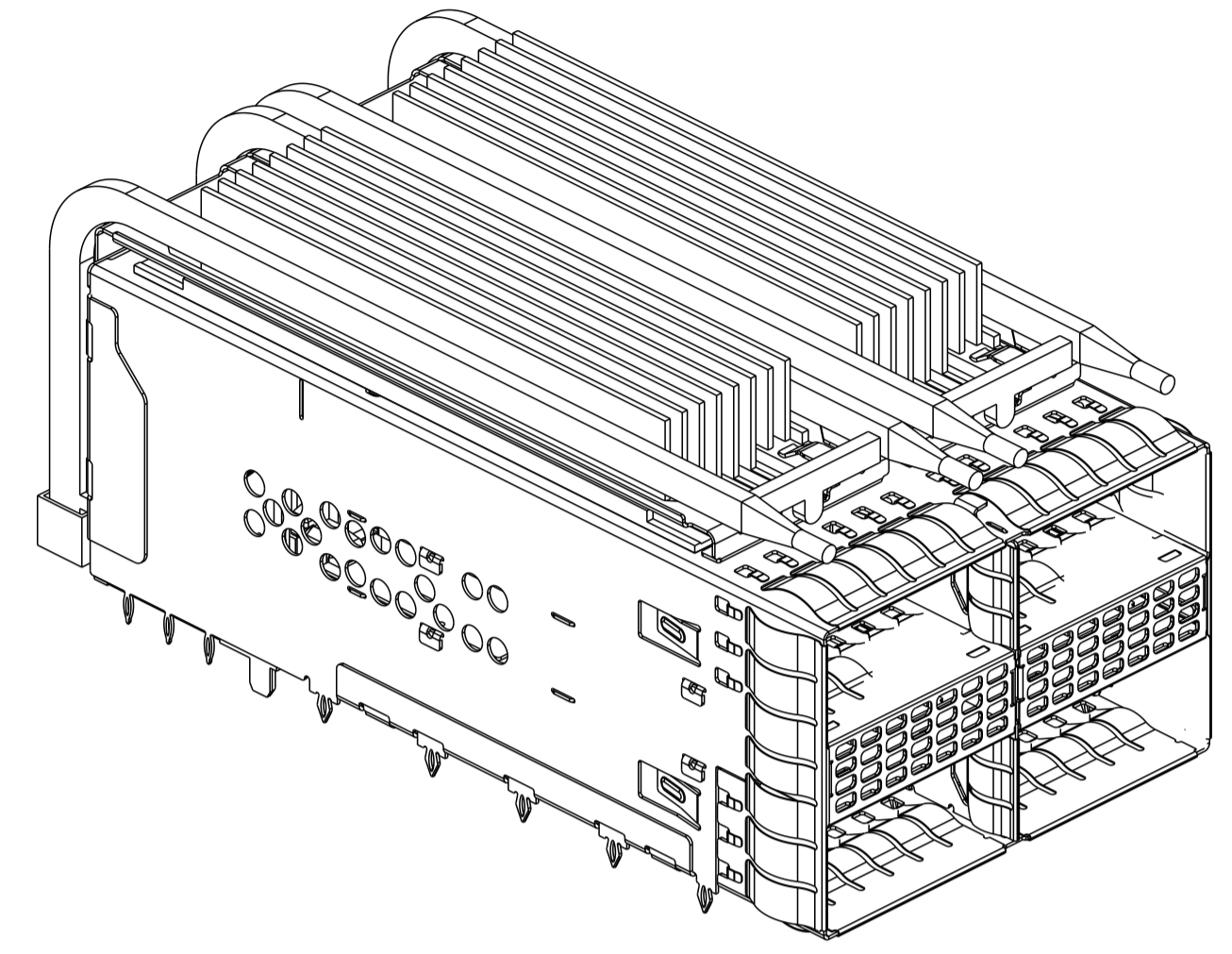
LOC	DIST	REVISIONS			
P	LYN	DESCRIPTION	DATE	OWN	APVD
GP	00	SEE SHEET 1			



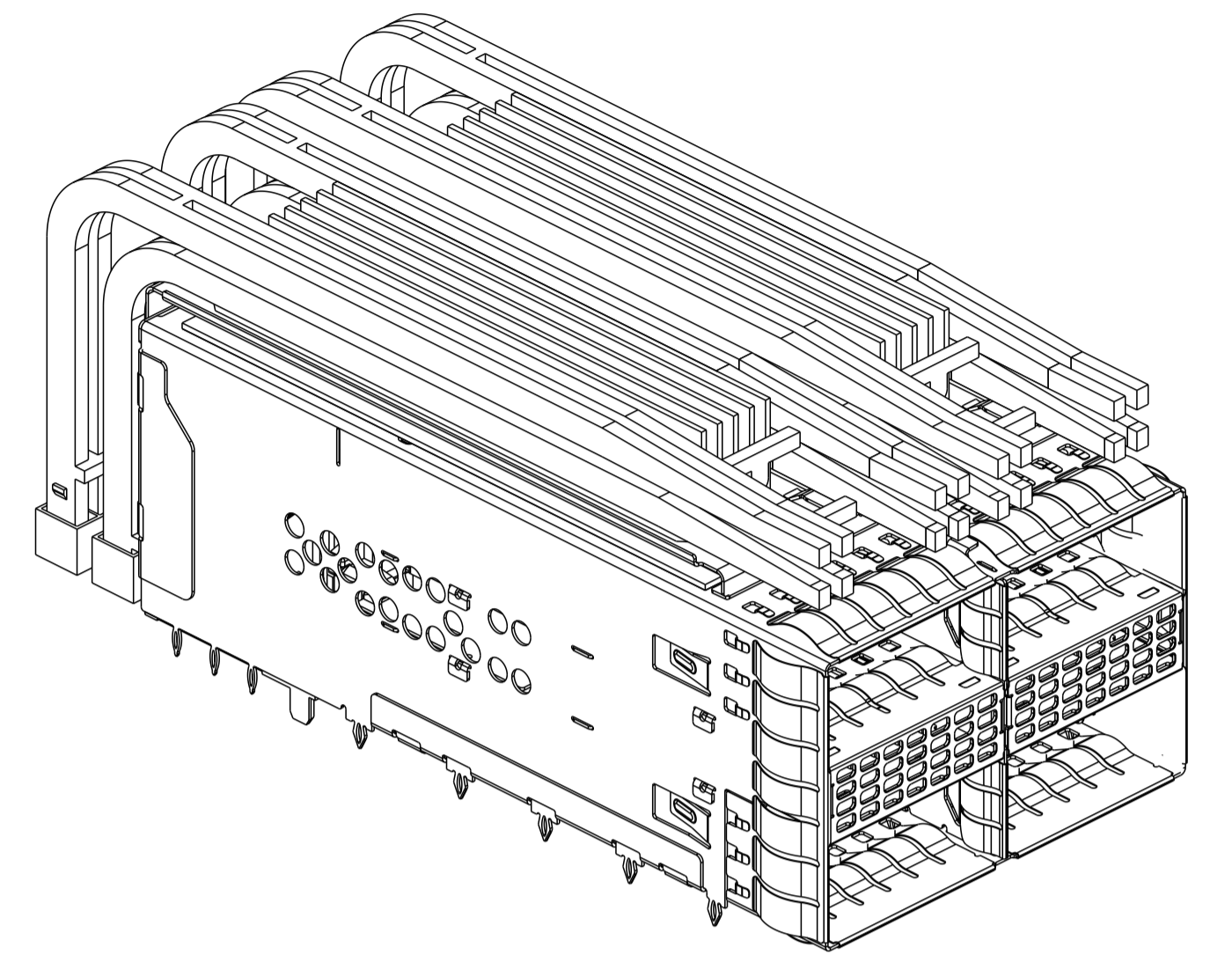
2299870-6
SCALE 2:1



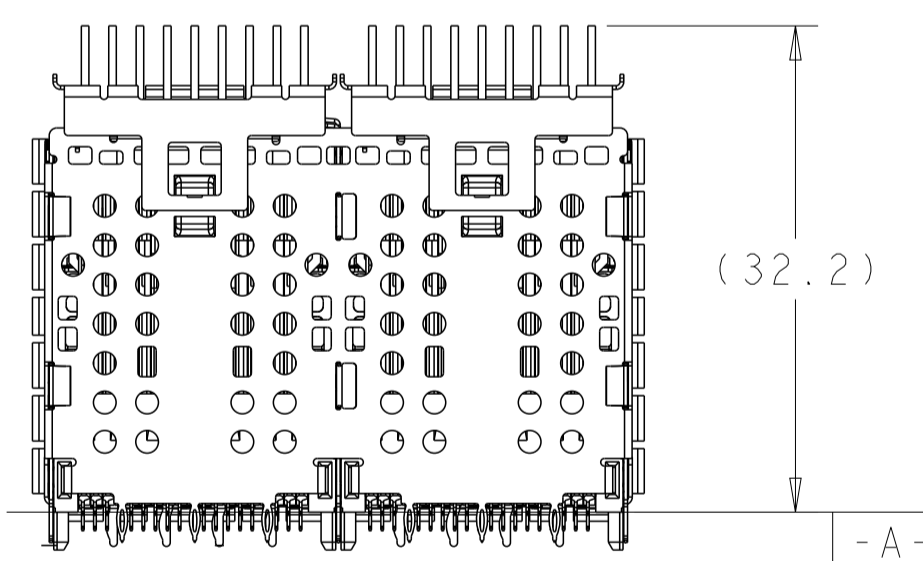
2299870-7
SCALE 2:1



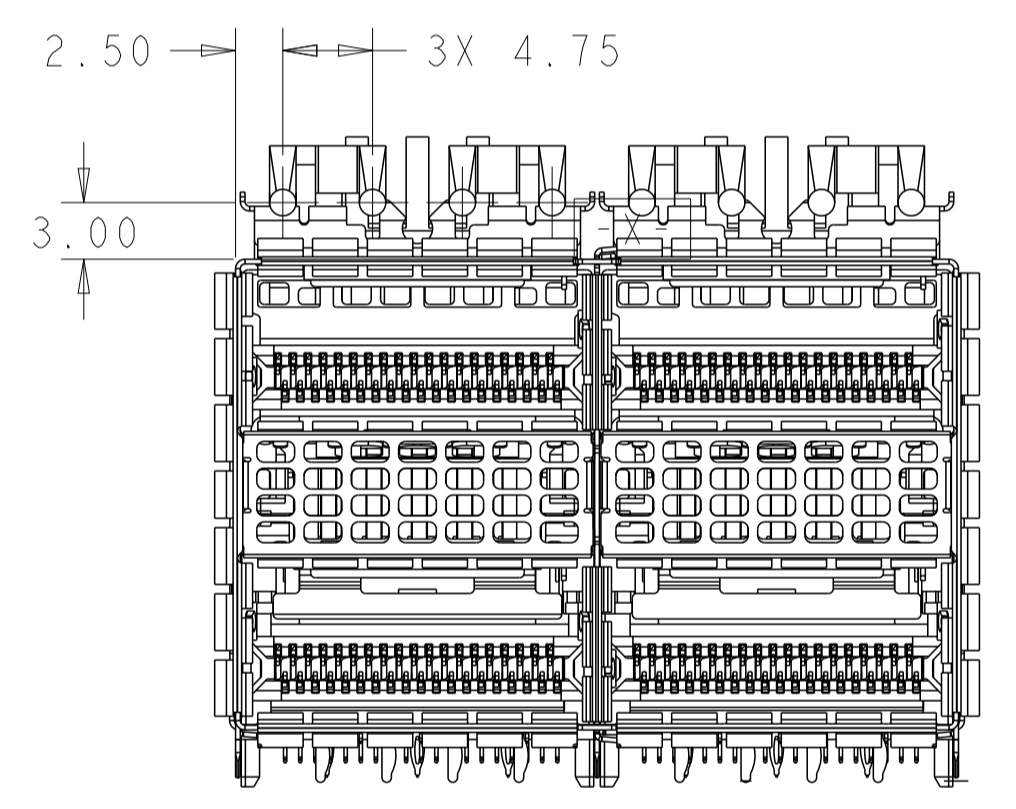
2299870-8
SCALE 2:1



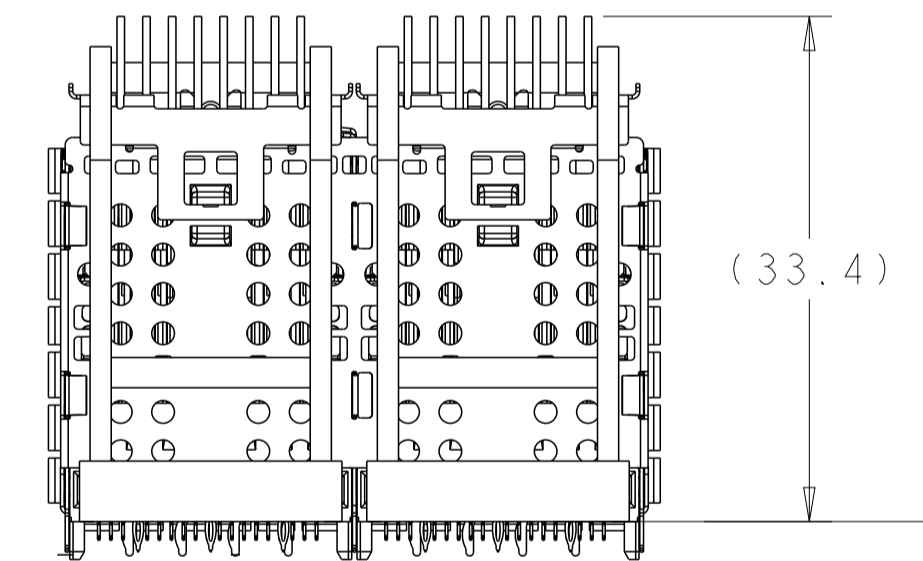
2299870-9
SCALE 2:1



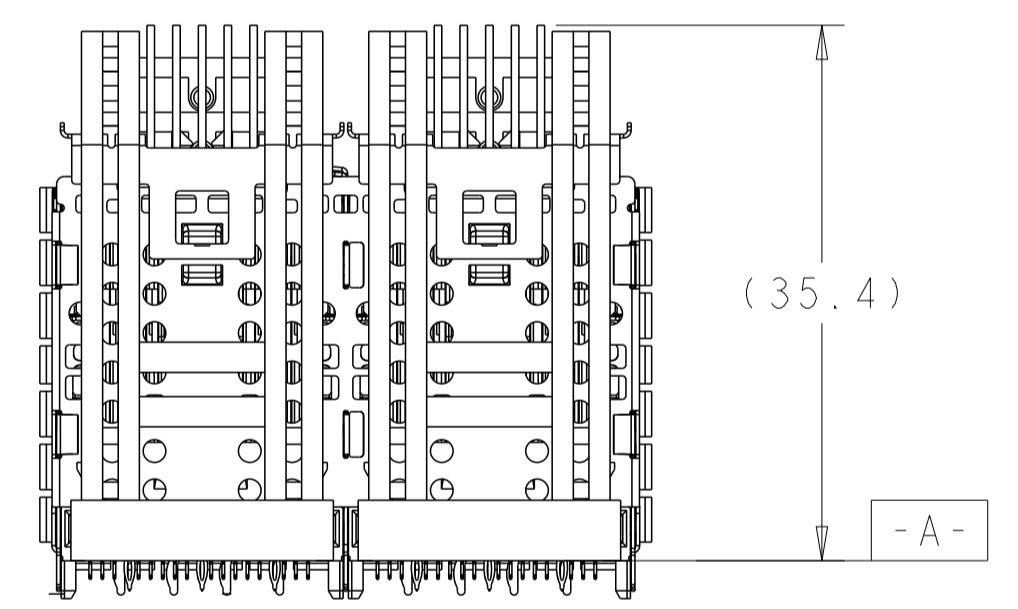
2299870-6
SCALE 2:1



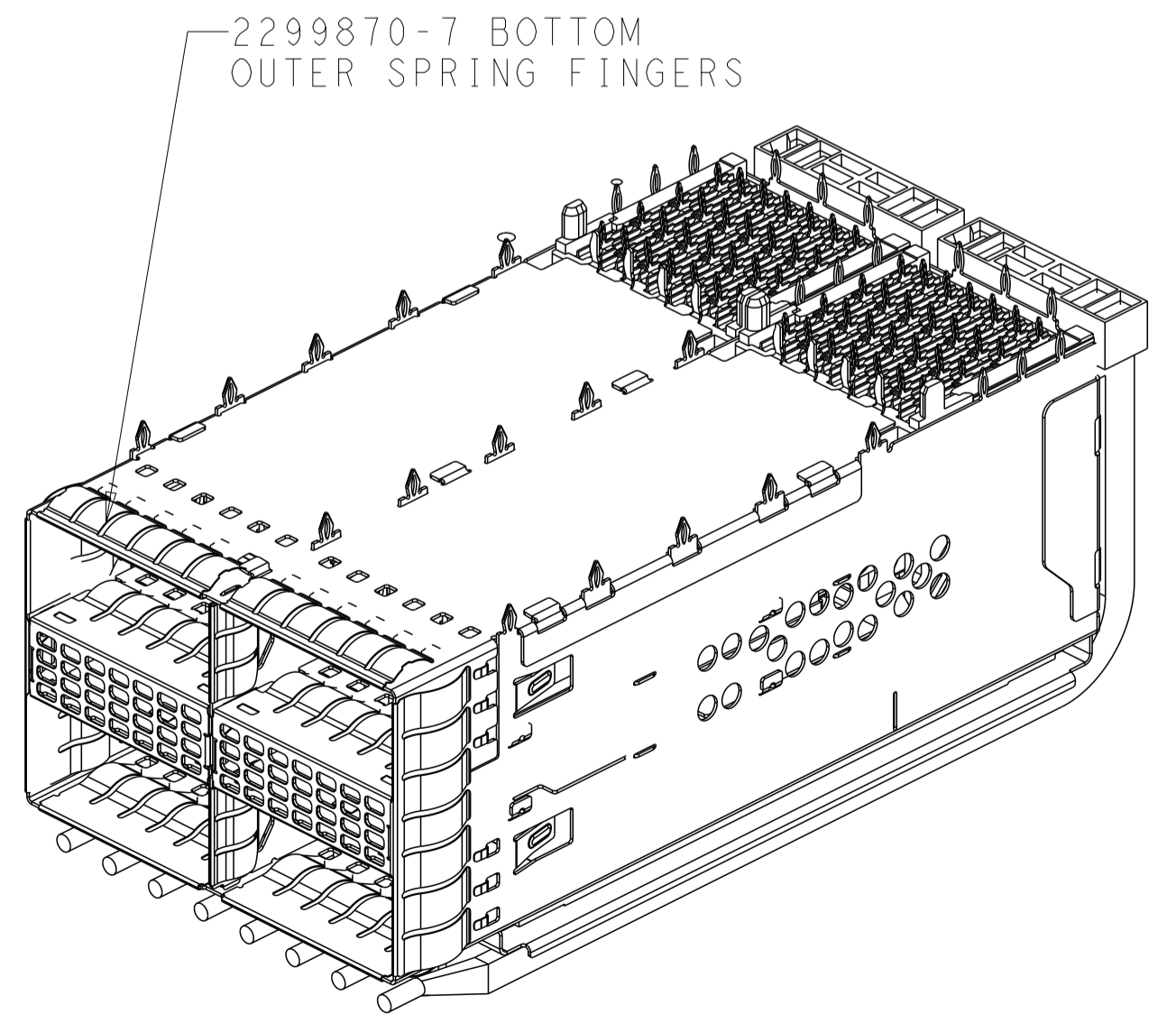
SCALE 5:2



2299870-8
SCALE 2:1



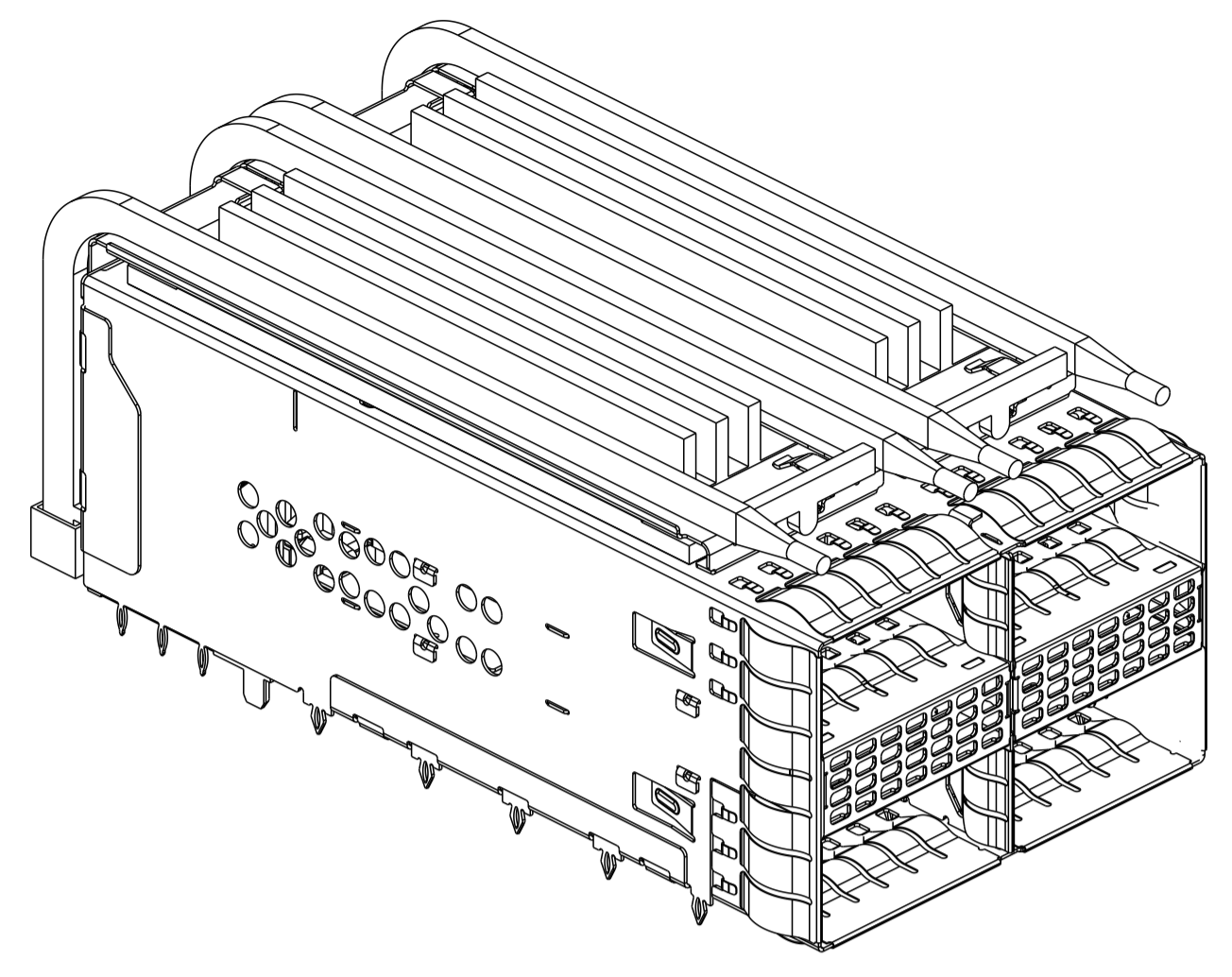
SCALE 2:1



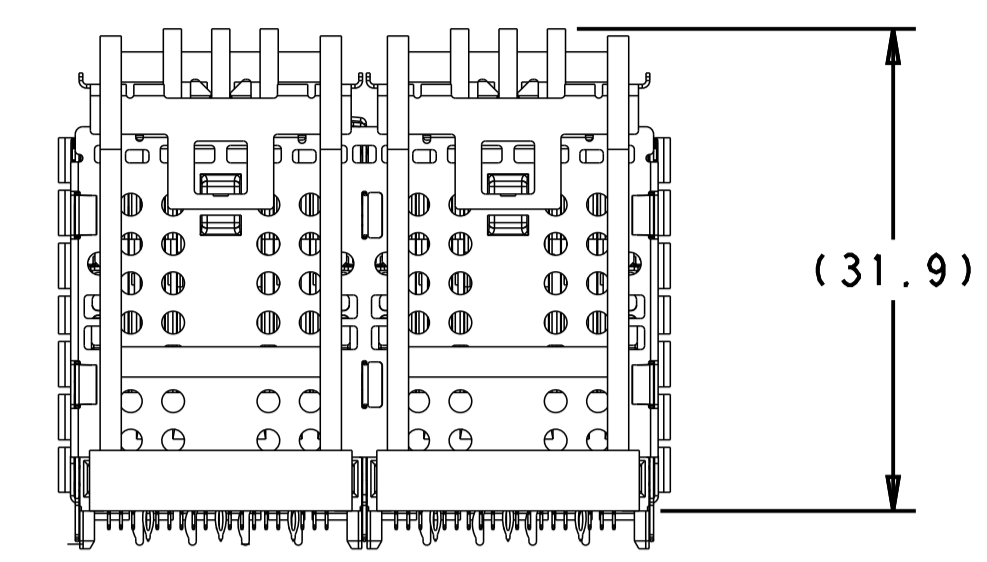
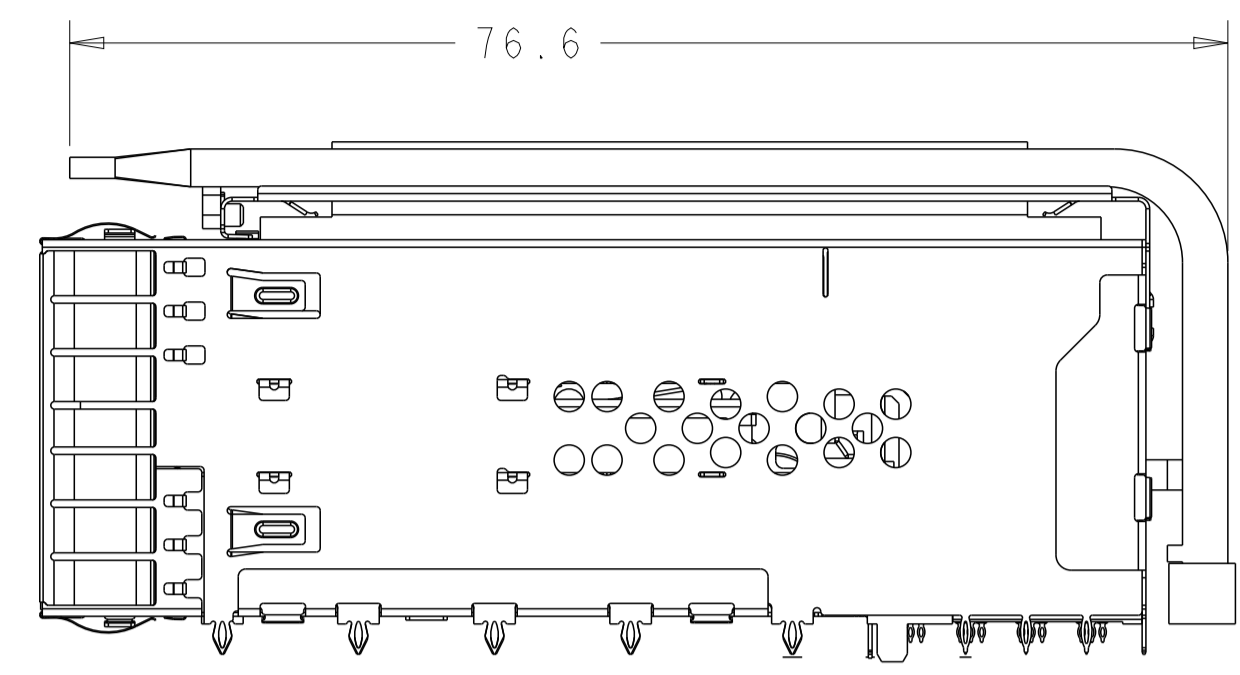
2299870-7
SCALE 2:1

THIS DRAWING IS A CONTROLLED DOCUMENT.		OWN: TIM XUE 28JAN2016	
DIMENSIONS: mm		CHK: SEAN HAN 28JAN2016	
TOLERANCES UNLESS OTHERWISE SPECIFIED:		APVD: SEAN HAN 28JAN2016	
0 PLC ± 1 PLC ±0.25 2 PLC ±0.15 3 PLC ± 4 PLC ± ANGLES ± FINISH ±		NAME: CAGE AND CONNECTOR ASSEMBLY WITH EMI SPRING FINGERS, THRU BEZEL, 2X2 ZOSFP+ STACKED WITH HS	
MATERIAL: SEE NOTE 1	SEE NOTE 2	PRODUCT SPEC: 108-60102	RESTRICTED TO: CUSTOMER DRAWING
		APPLICATION SPEC: 114-60015	SCALE: 4:1
		SIZE: A1	SHEET 3 OF 16
		WEIGHT: -	REV: K1

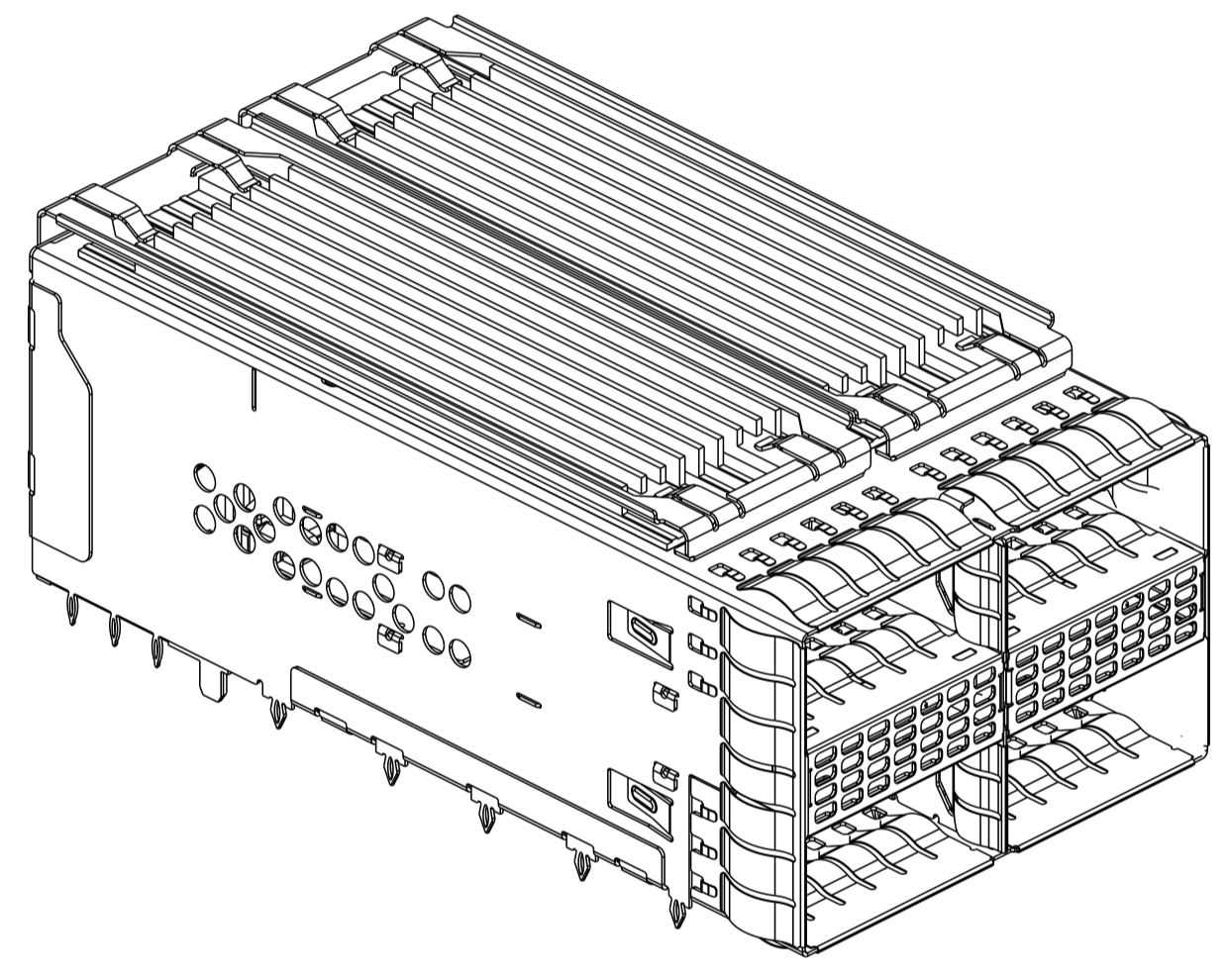
LOC		DIST		REVISIONS				
P	LYR	DATE	OWN	APVD	DESCRIPTION	DATE	OWN	APVD
-	-	-	-	-	SEE SHEET 1	-	-	-



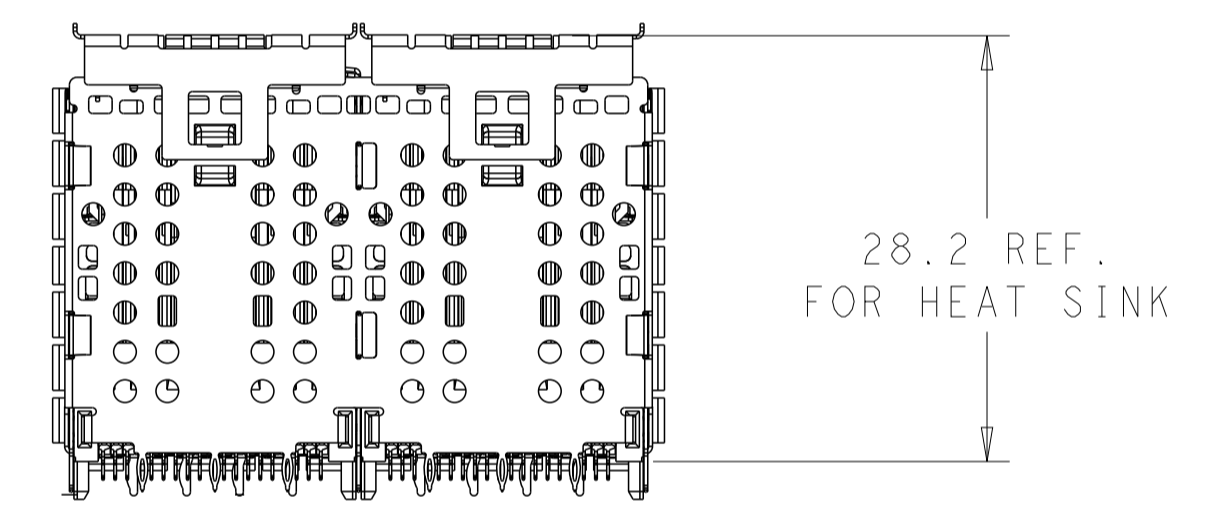
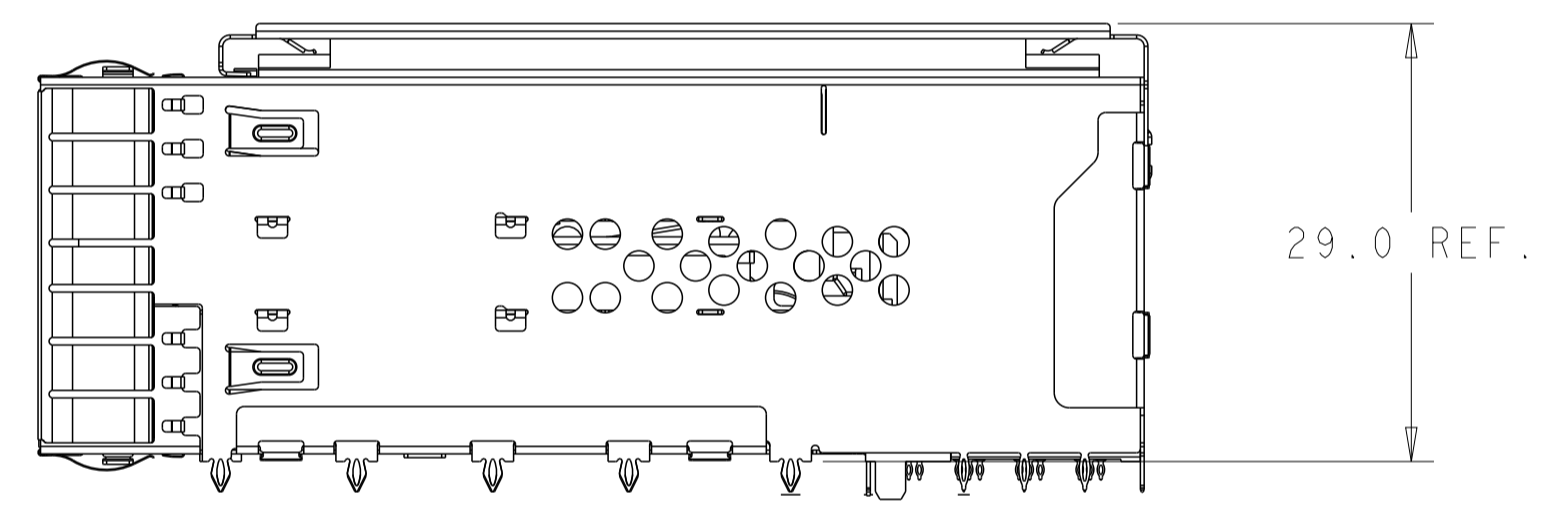
1-2299870-0
SCALE 2:1



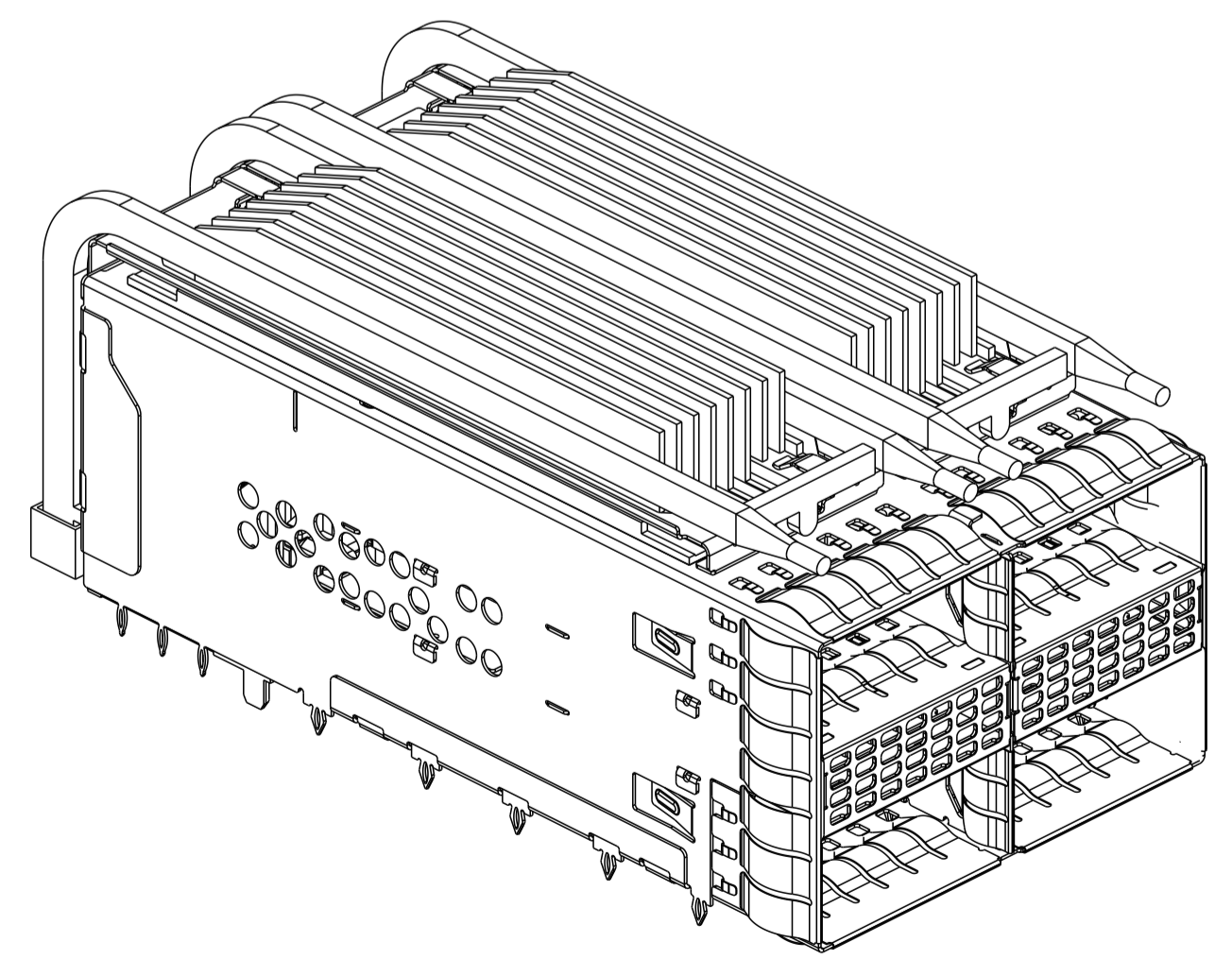
1-2299870-0
SCALE 2:1



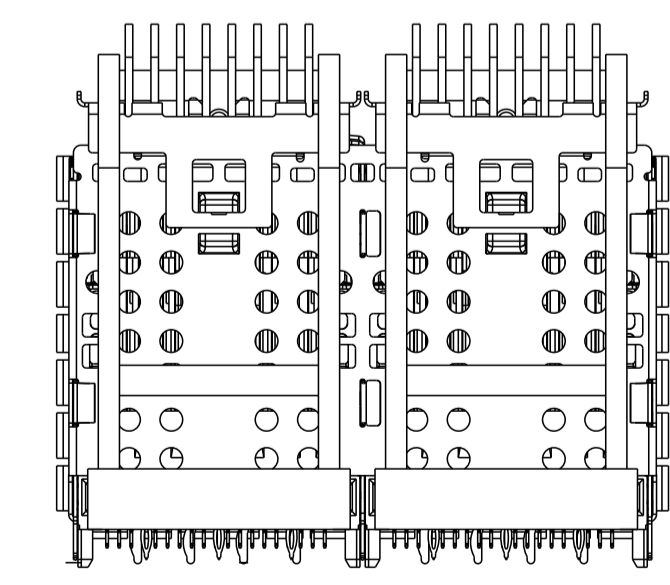
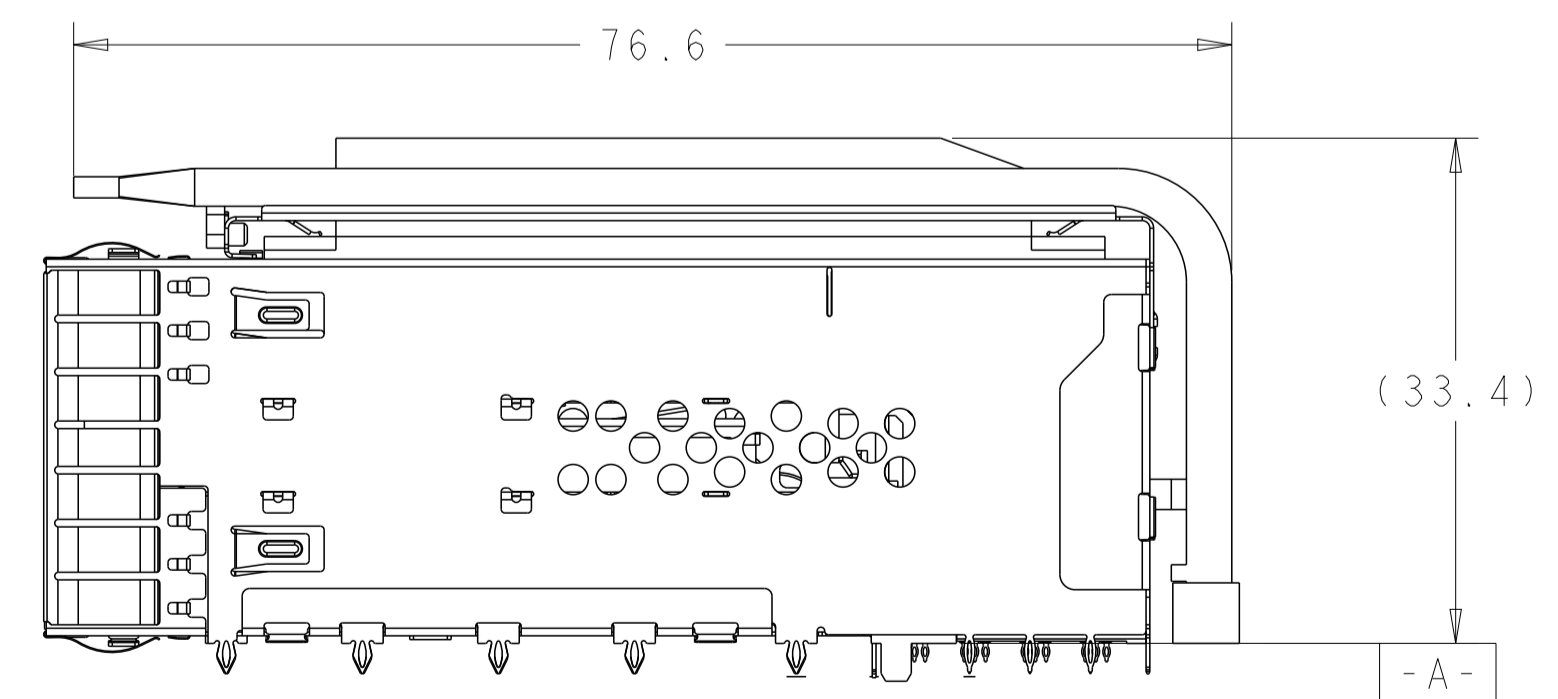
1-2299870-6
SCALE 2:1



SCALE 2:1



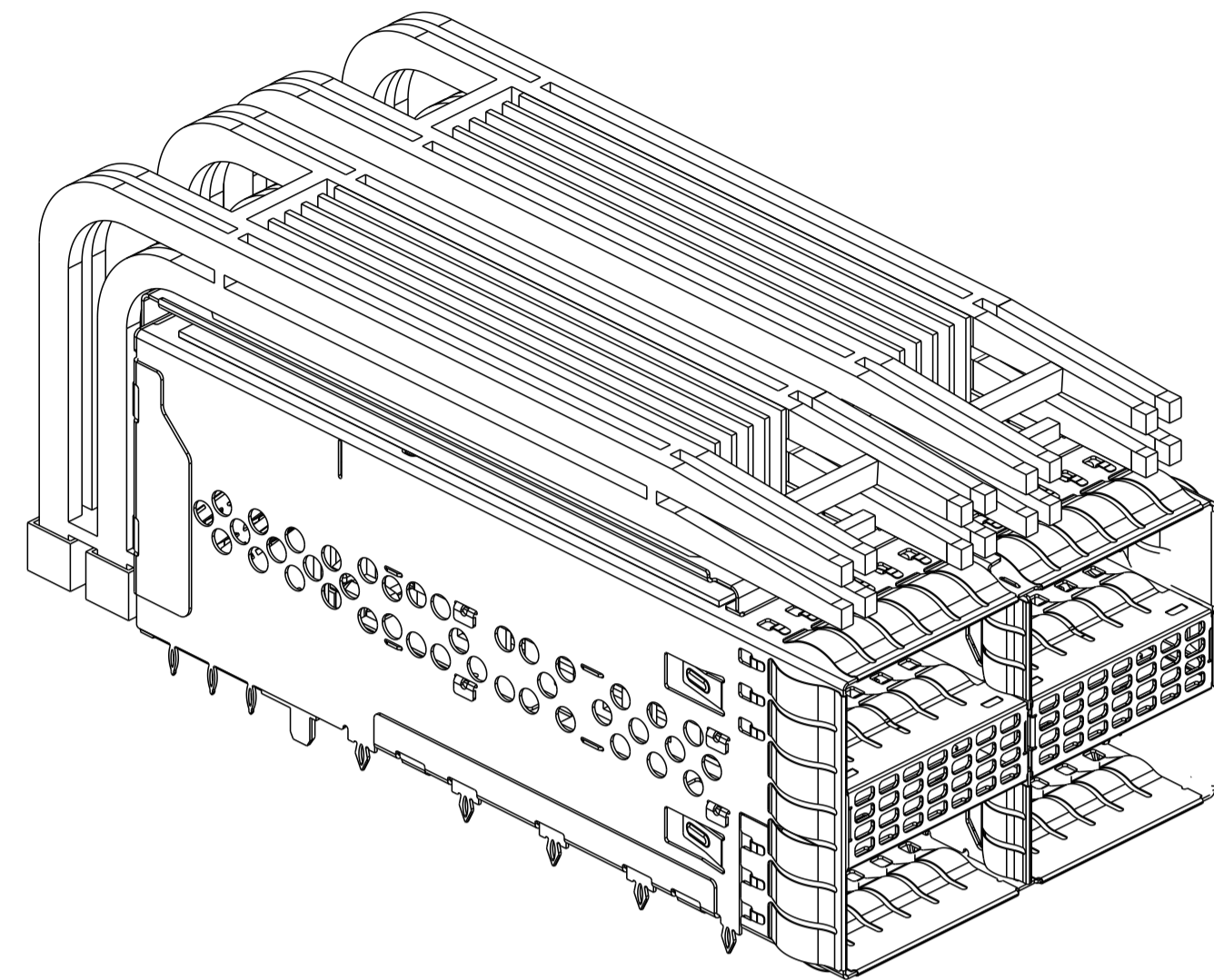
1-2299870-8
2-2299870-8
SCALE 2:1



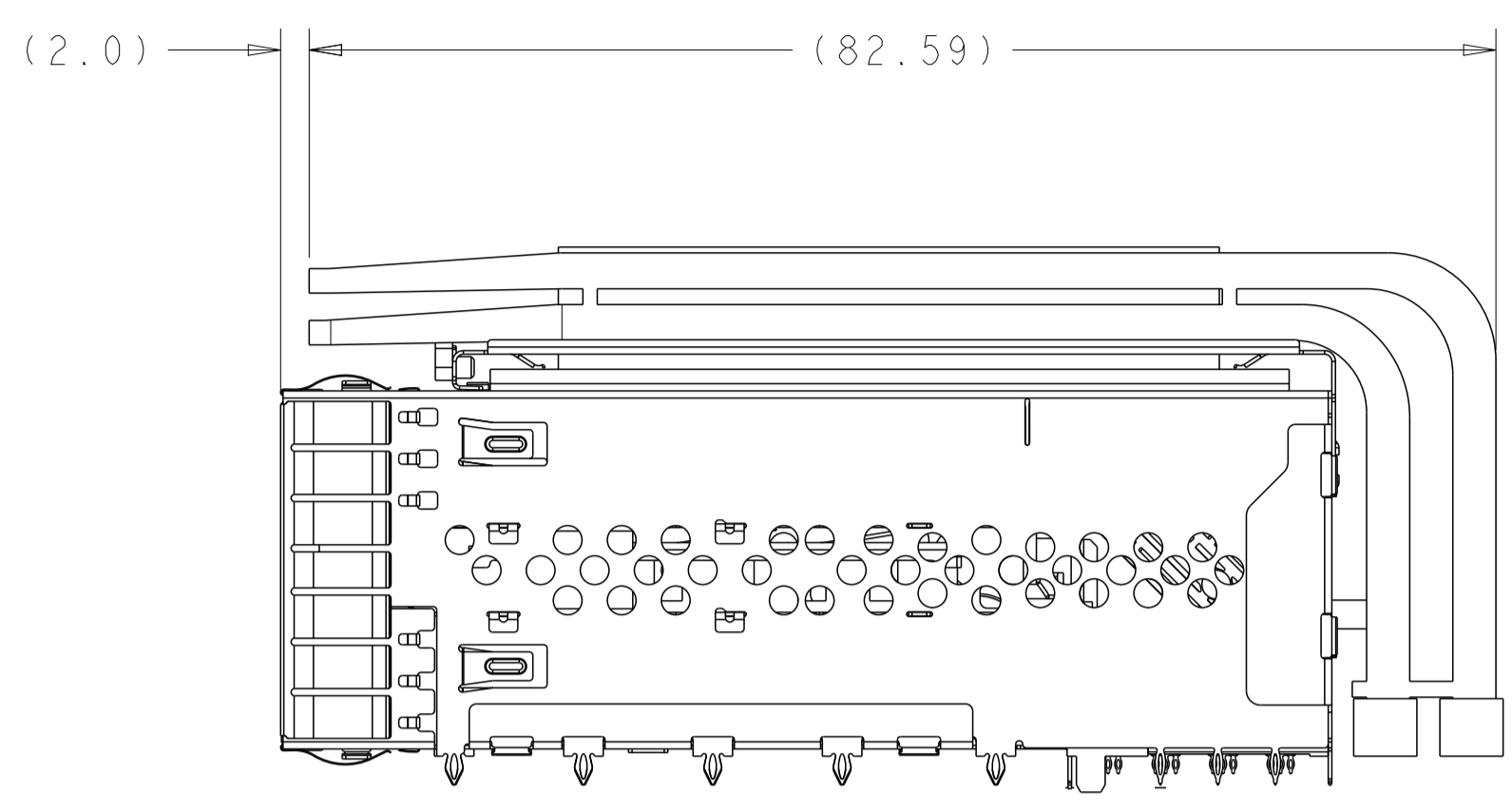
1-2299870-8
2-2299870-8
SCALE 2:1

THIS DRAWING IS A CONTROLLED DOCUMENT.		OWN TIM XUE 28JAN2016	TE Connectivity
DIMENSIONS:		CHK SEAN HAN 28JAN2016	
mm	TOLERANCES UNLESS OTHERWISE SPECIFIED:	APVD SEAN HAN 28JAN2016	NAME
0 PLC ±	1 PLC ±0.25	PRODUCT SPEC	CAGE AND CONNECTOR ASSEMBLY WITH EMI SPRING FINGERS, THRU BEZEL, 2X2 ZQSPF+ STACKED WITH HS
2 PLC ±0.15	3 PLC ±	APPLICATION SPEC	SIZE
4 PLC ±	ANGLES ±	114-60015	CAGE CODE
MATERIAL	FINISH	WEIGHT	DRAWING NO
SEE NOTE 1	SEE NOTE 2	-	A100779C=2299870
CUSTOMER DRAWING		SCALE	RESTRICTED TO
		4:1	SHEET 4 OF 16 REV K1

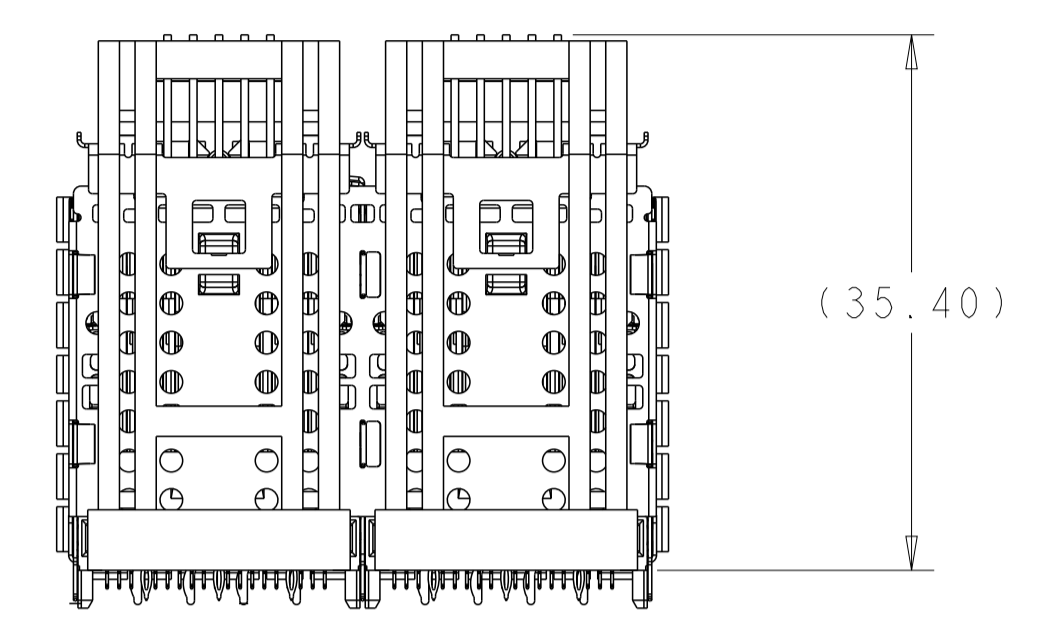
LOC	DIST	REVISIONS			
P	LYR	DESCRIPTION	DATE	DMN	APVD
GP	00	SEE SHEET 1	-	-	-



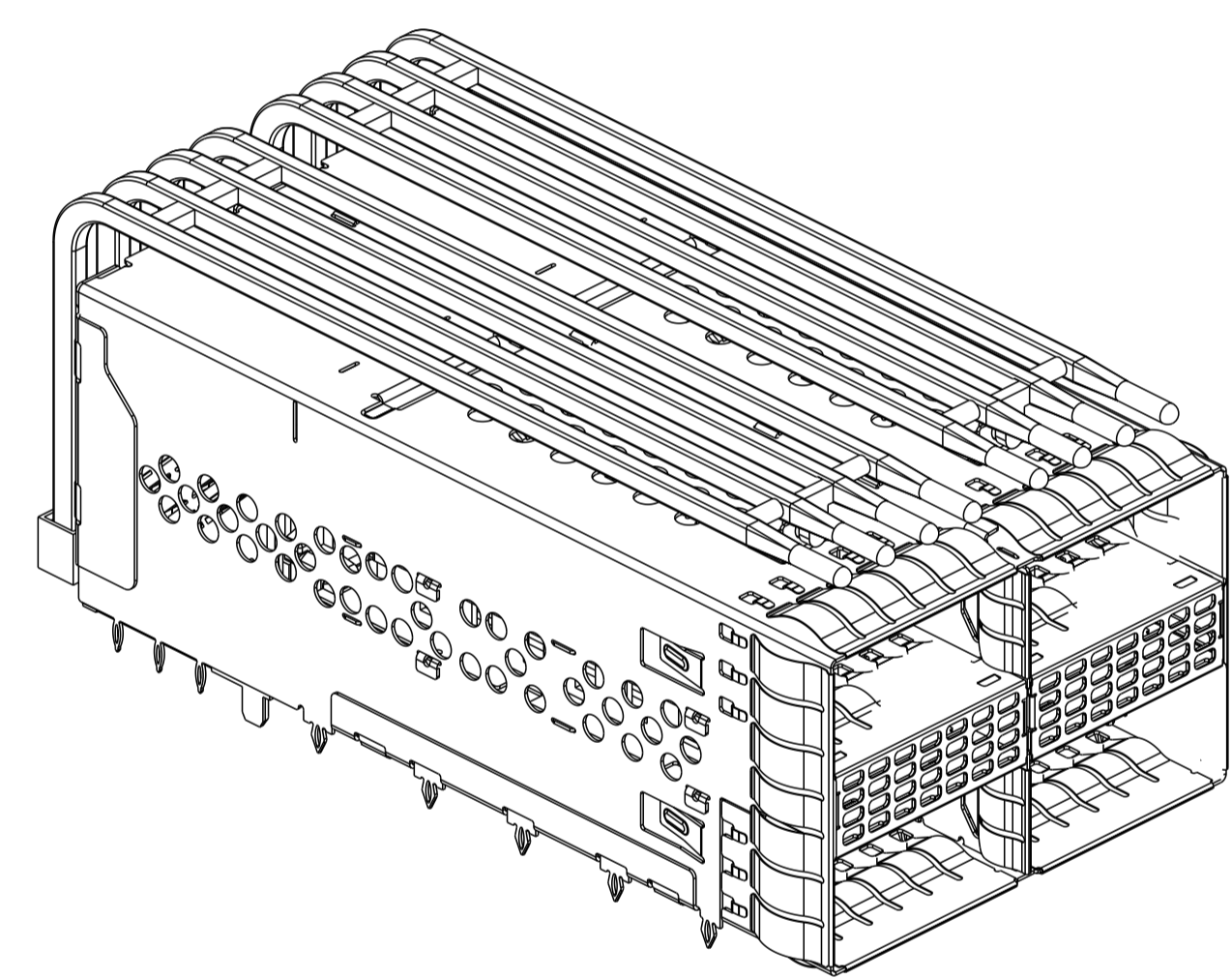
1-2299870-5
SCALE 2:1



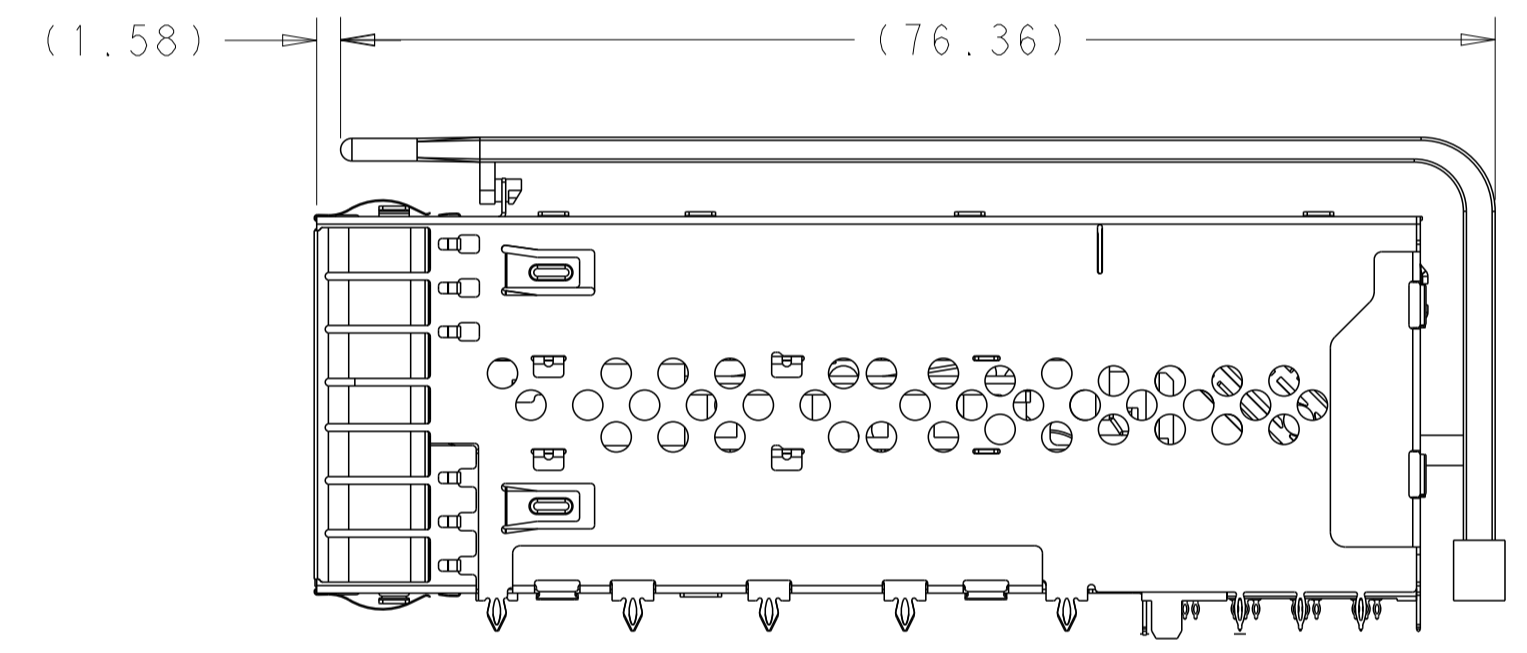
SCALE 2:1



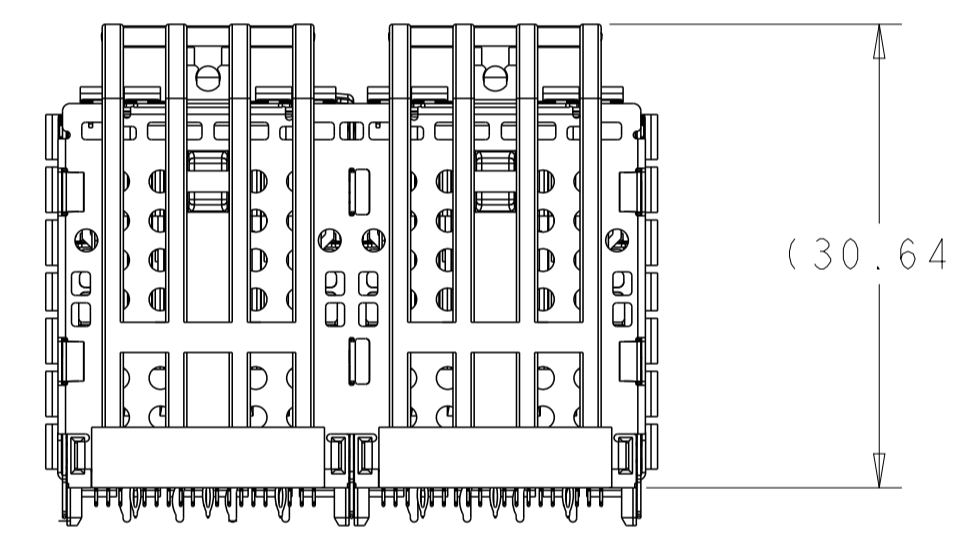
(35.40)



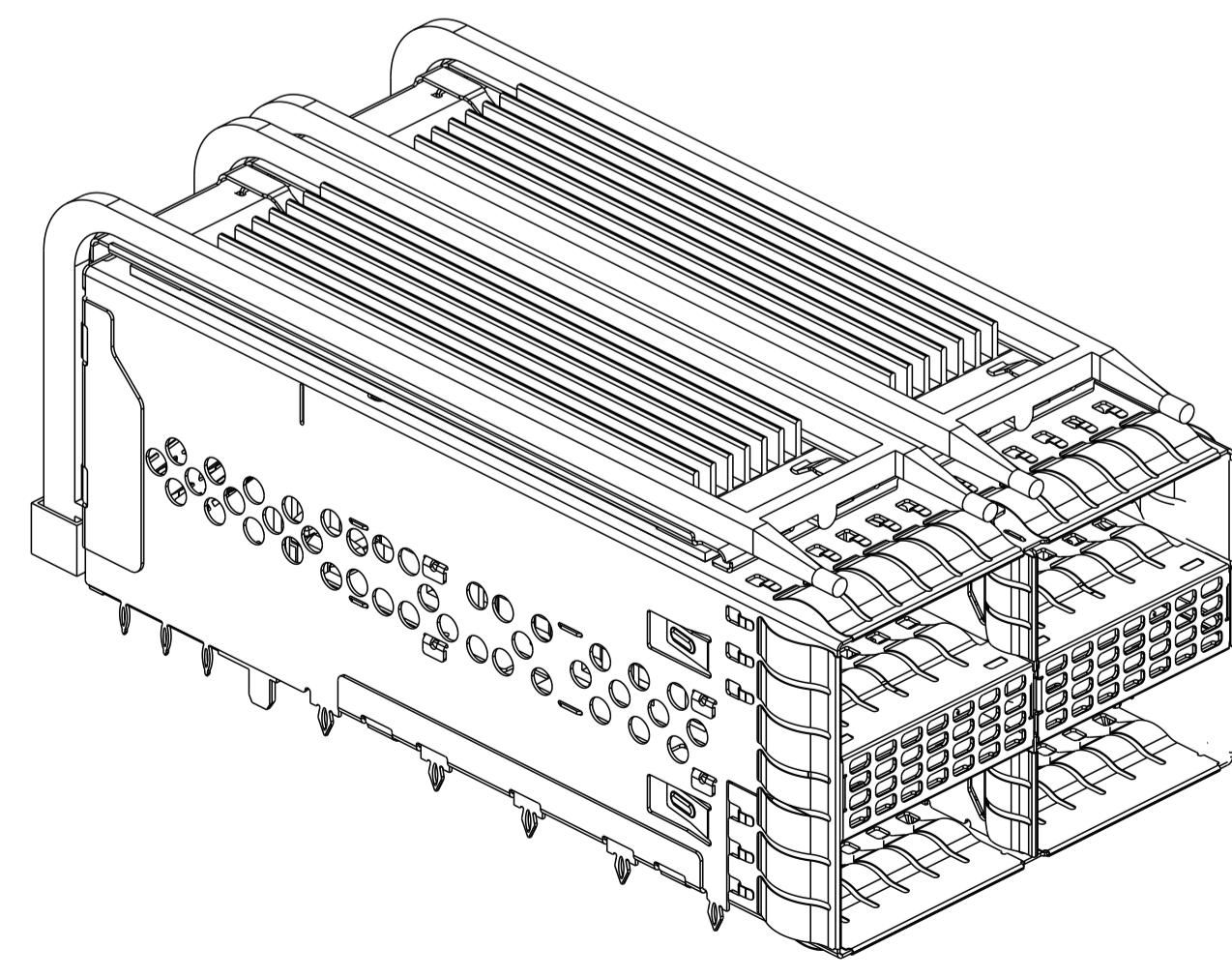
2-2299870-5
SCALE 2:1



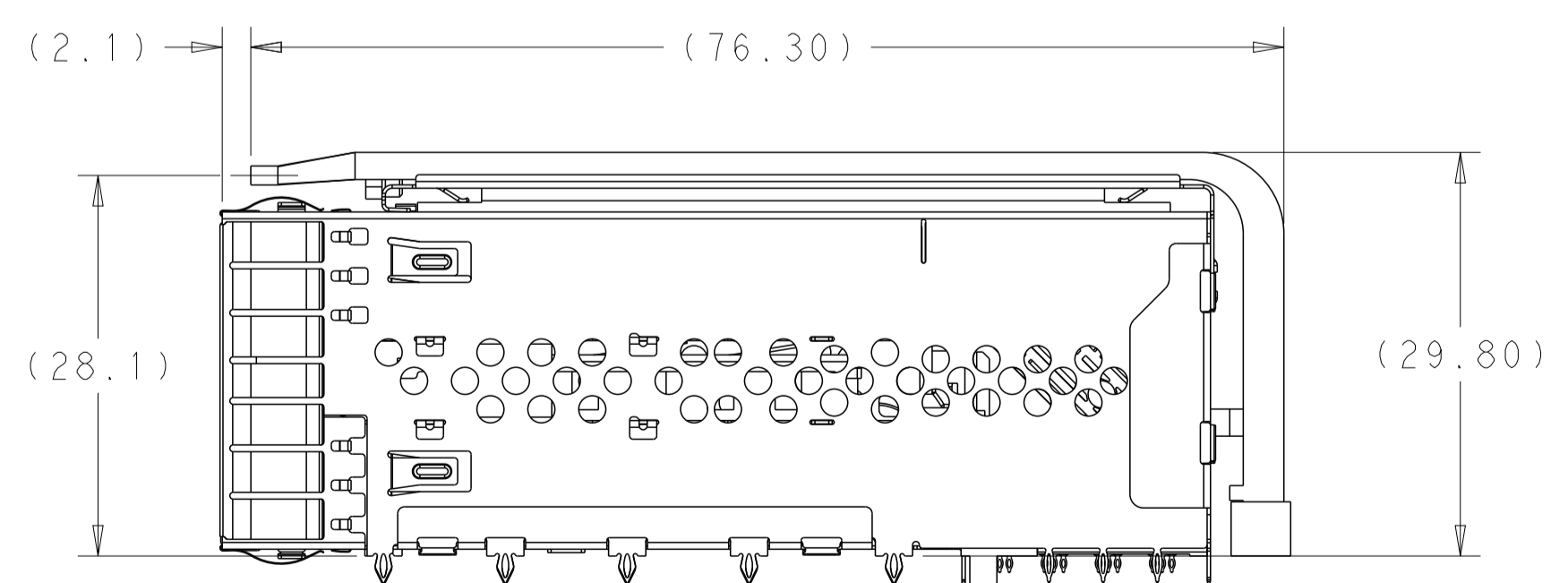
SCALE 2:1



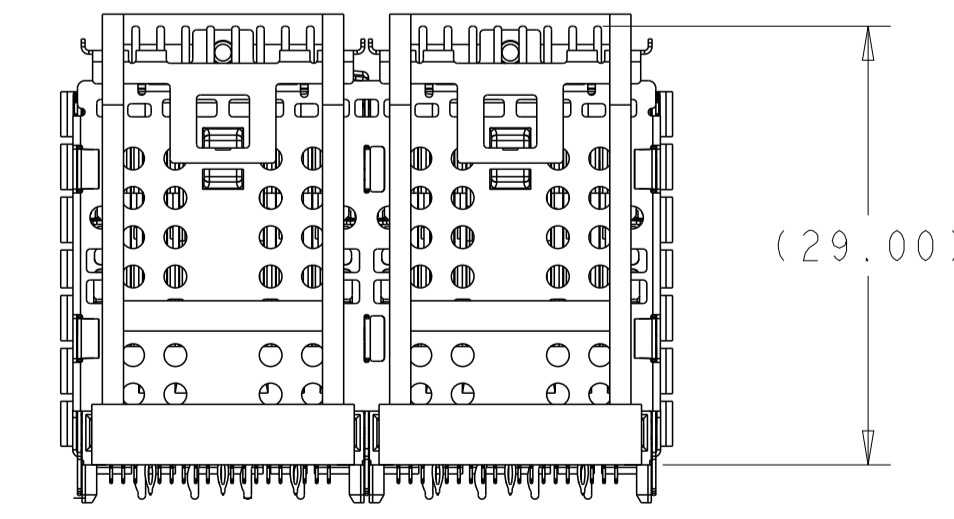
(30.64)



2-2299870-0
SCALE 2:1



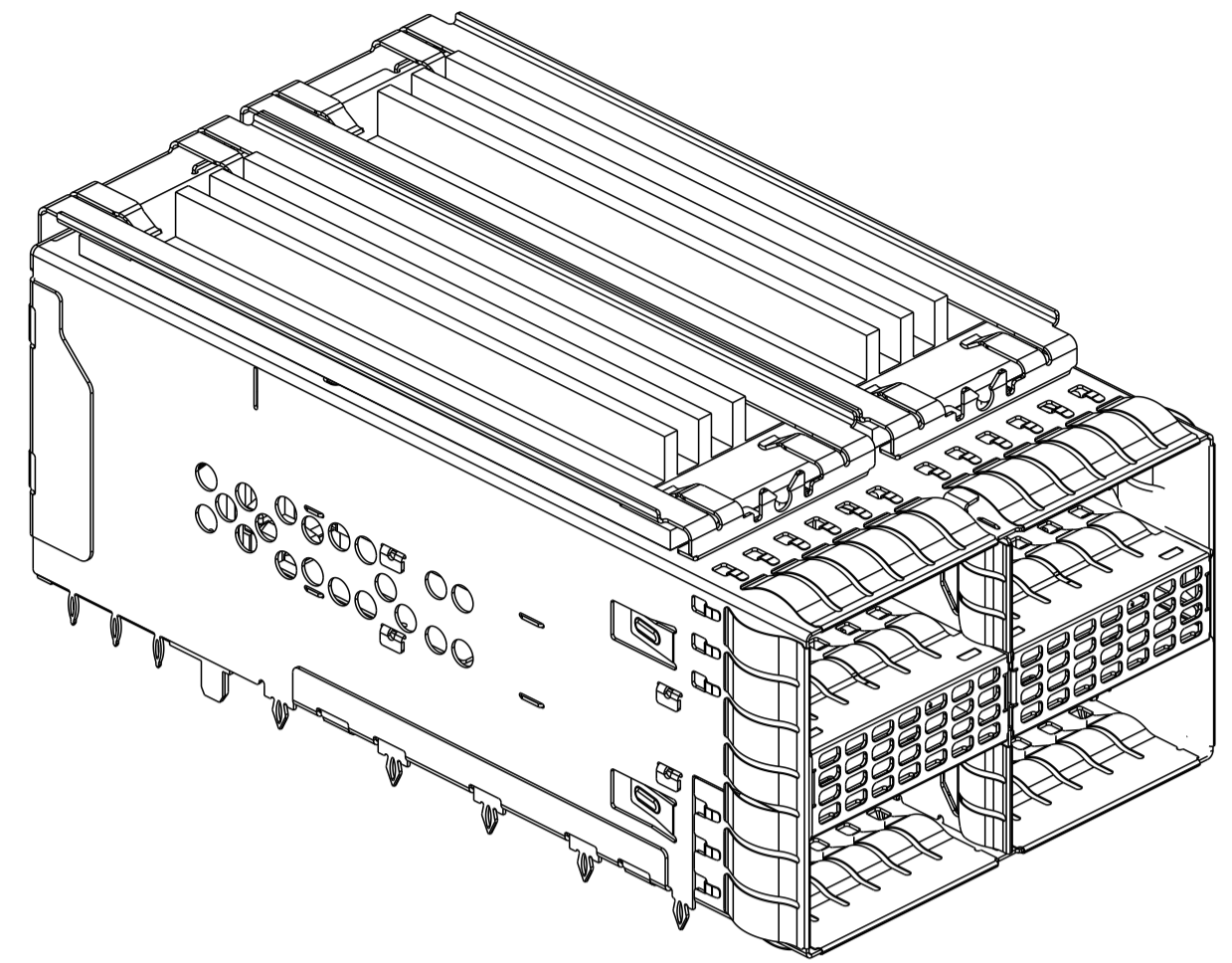
SCALE 2:1



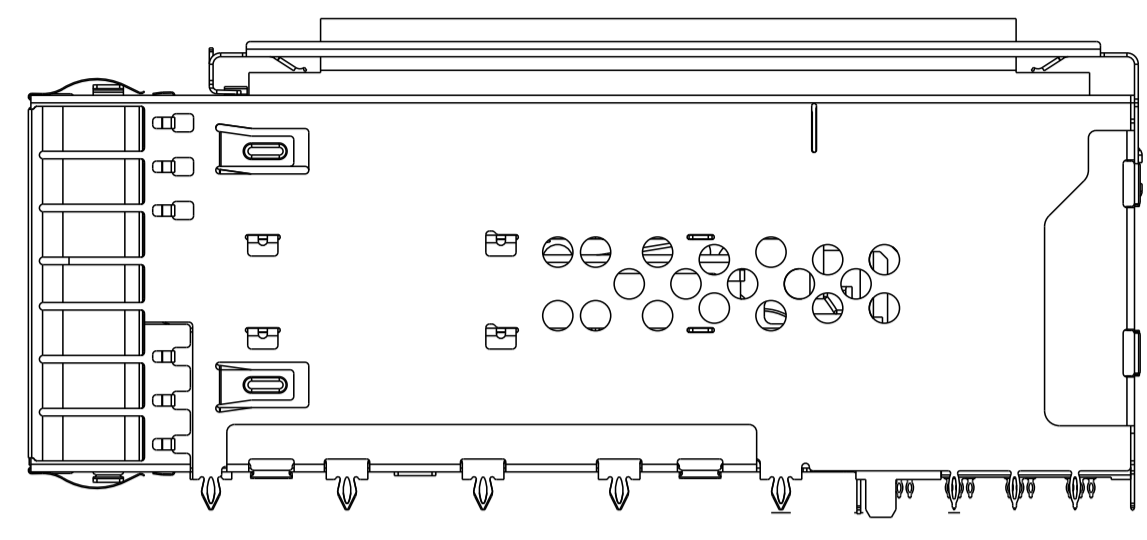
(29.00)

THIS DRAWING IS A CONTROLLED DOCUMENT.		DMN TIM XUE 28JAN2016	
DIMENSIONS:		CHK SEAN HAN 28JAN2016	
mm	TOLERANCES UNLESS OTHERWISE SPECIFIED:	APVD SEAN HAN 28JAN2016	NAME
	0 PLC ± 1 PLC ±0.25 2 PLC ±0.15 3 PLC ± 4 PLC ± ANGLES ± FINISH ±	PRODUCT SPEC 108-60102 APPLICATION SPEC 114-60015	CAGE AND CONNECTOR ASSEMBLY WITH EMI SPRING FINGERS, THRU BEZEL, 2X2 ZQSFP+ STACKED WITH HS
MATERIAL SEE NOTE 1	FINISH SEE NOTE 2	WEIGHT -	RESTRICTED TO
CUSTOMER DRAWING		SIZE A1	CAGE CODE 100779
SCALE 4:1		DRAWING NO C=2299870	SHEET 5 OF 16
		REV K1	

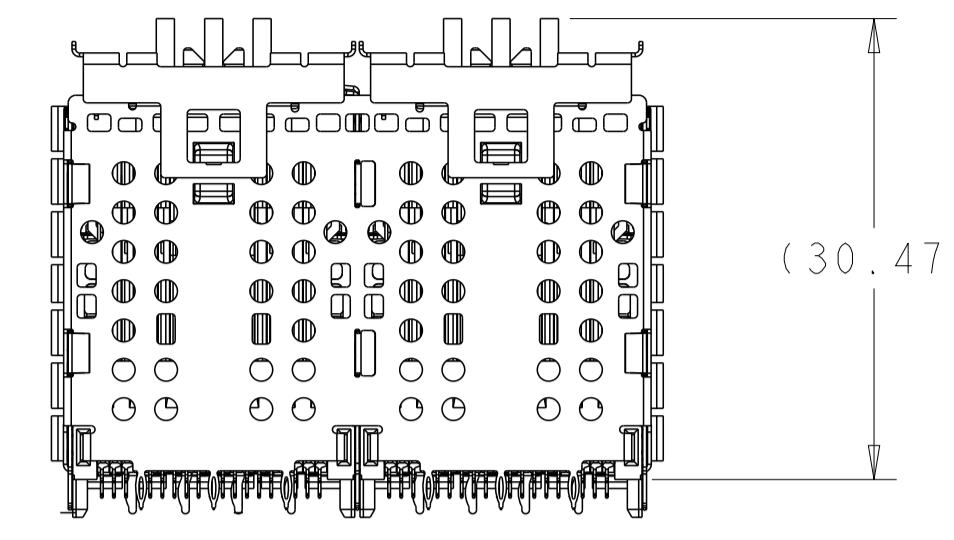
LOC		DIST		REVISIONS			
P	LYR	DESCRIPTION	DATE	OWN	APVD		
-	-	SEE SHEET 1	-	-	-		



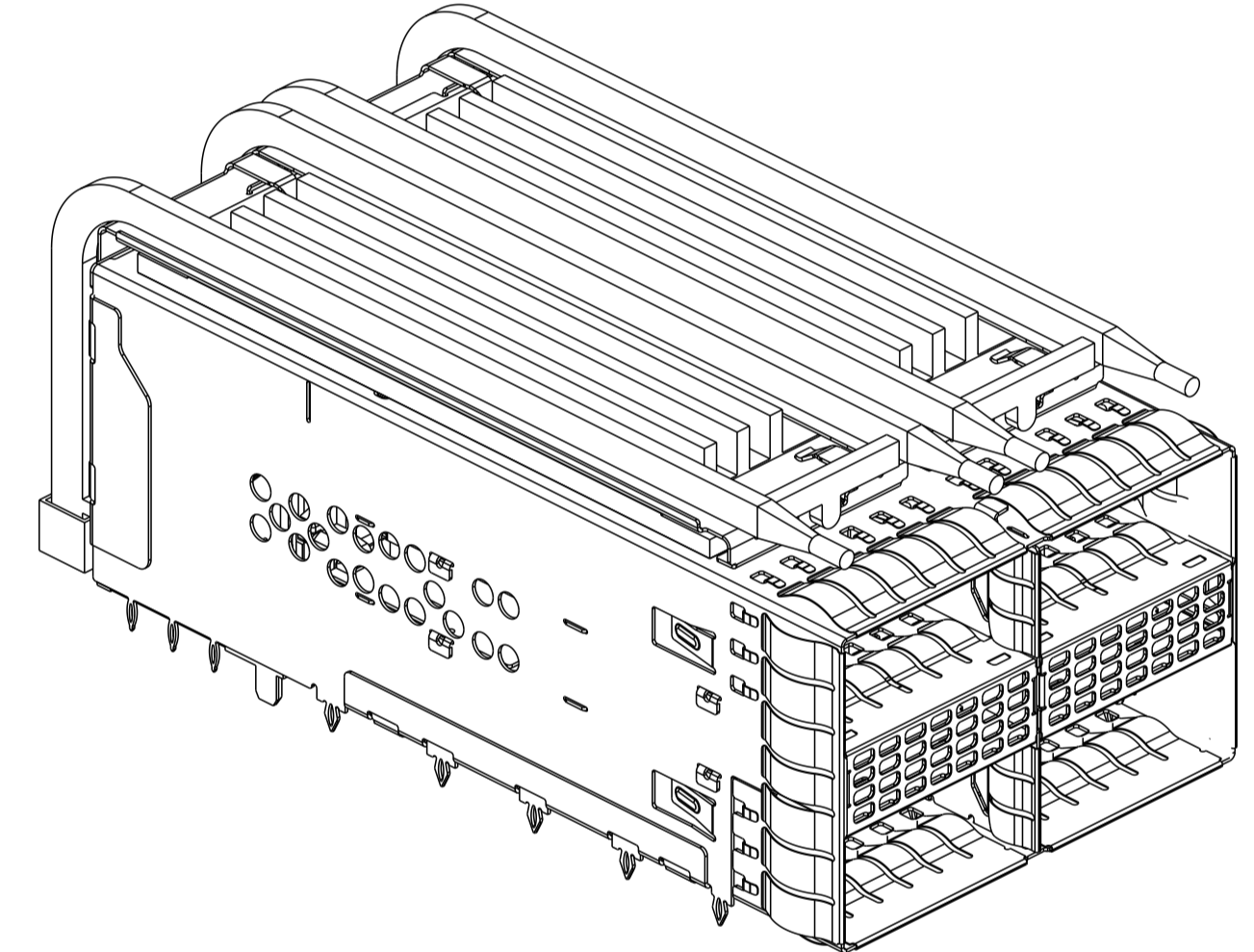
2-2299870-2
SCALE 2:1



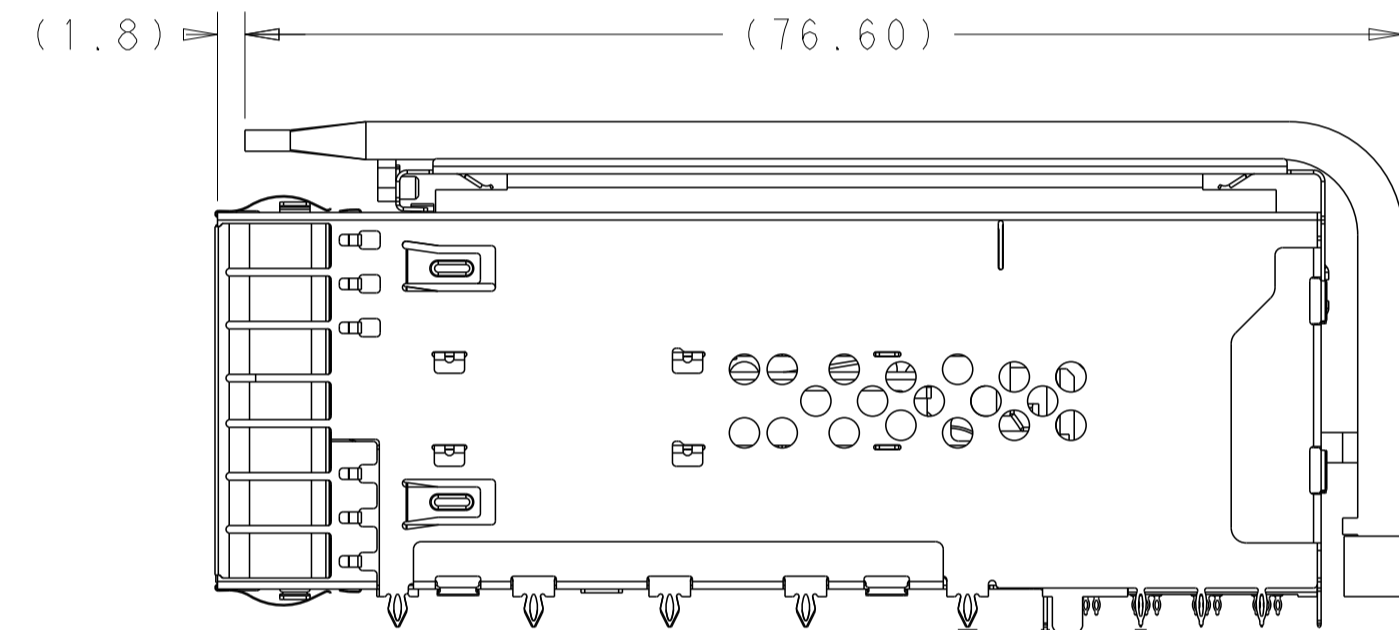
SCALE 2:1



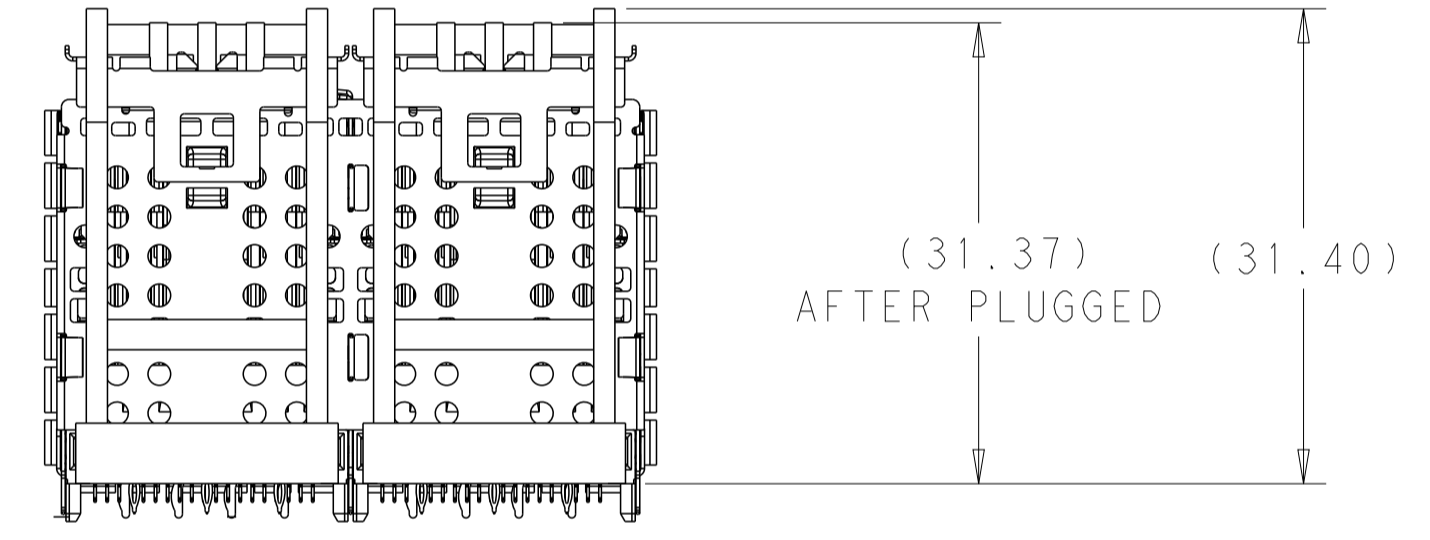
(30.47)



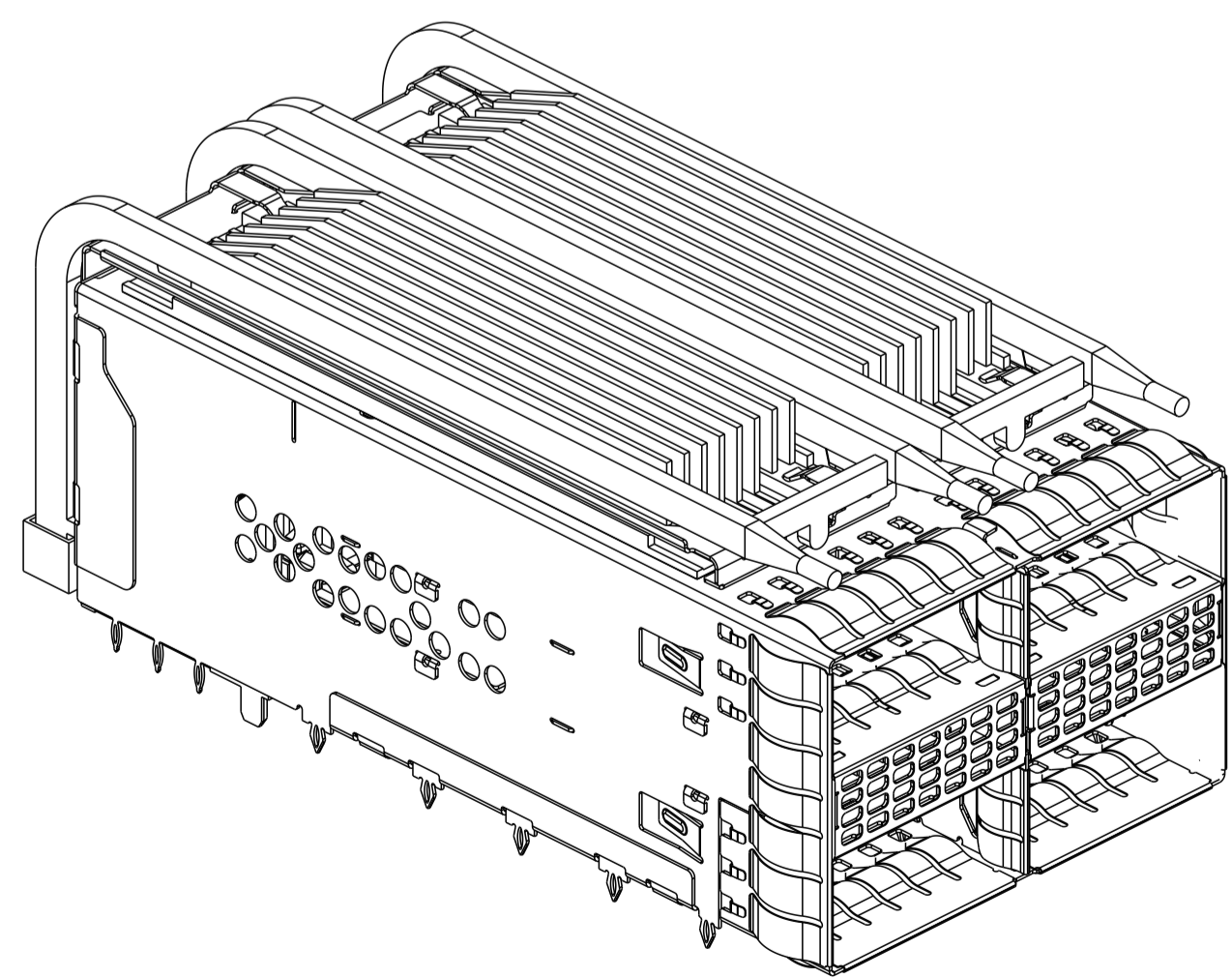
2-2299870-3
SCALE 2:1



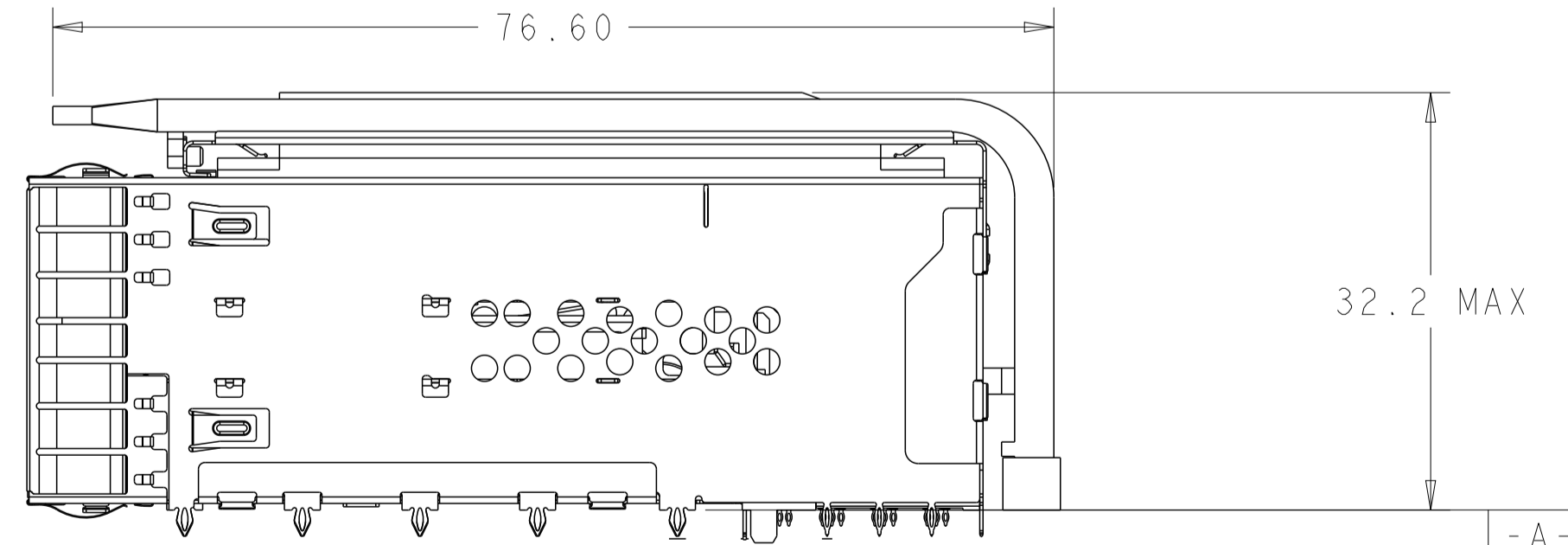
SCALE 2:1



(31.37) (31.40)
AFTER PLUGGED

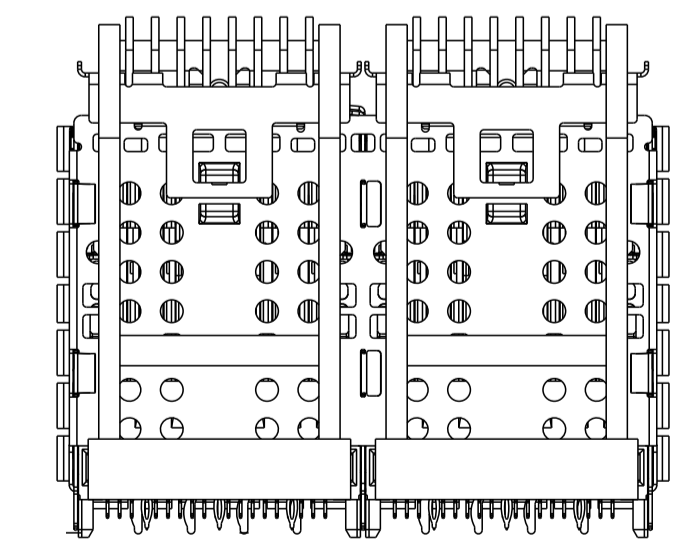


1-2299870-9
SCALE 2:1



32.2 MAX

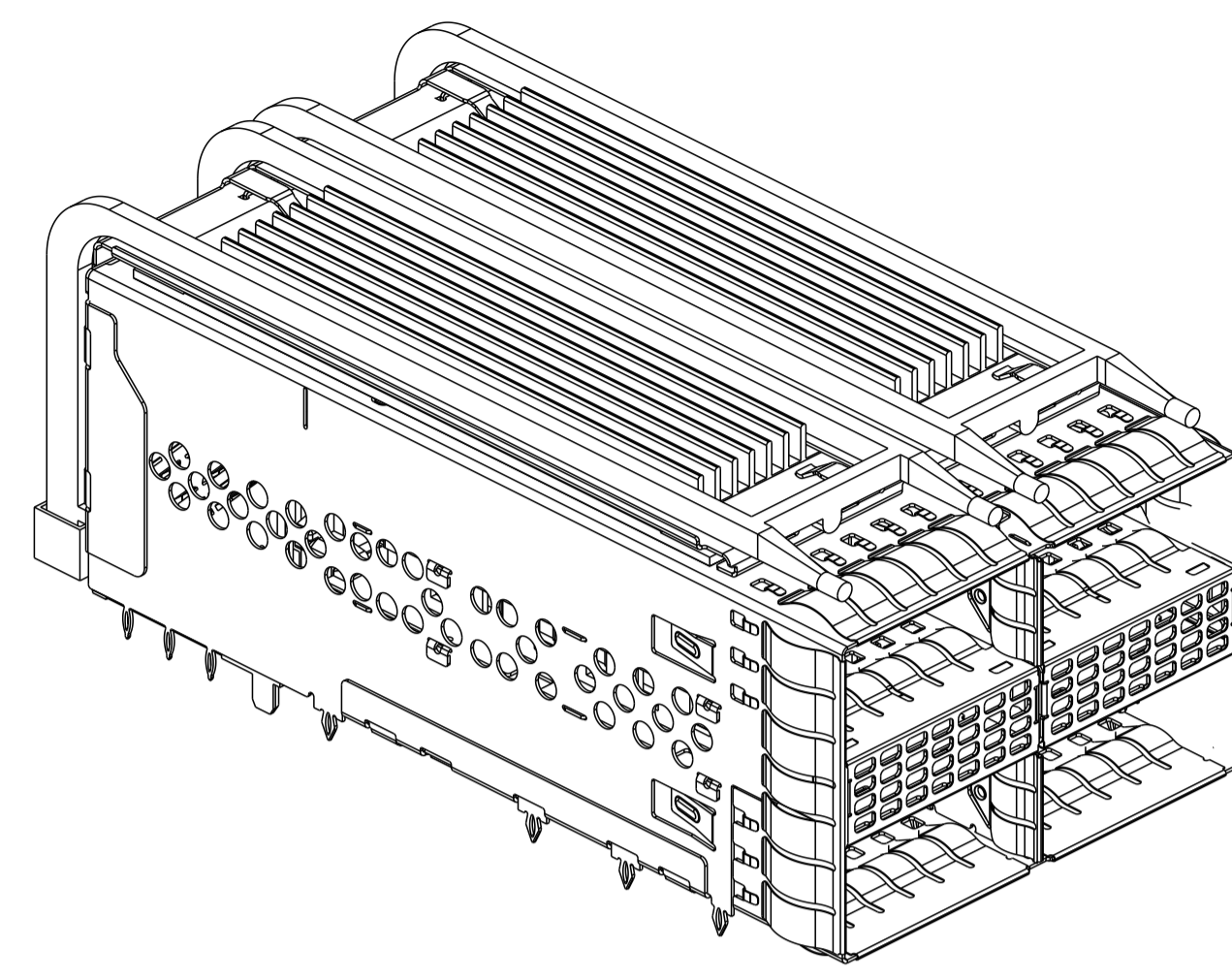
- A -



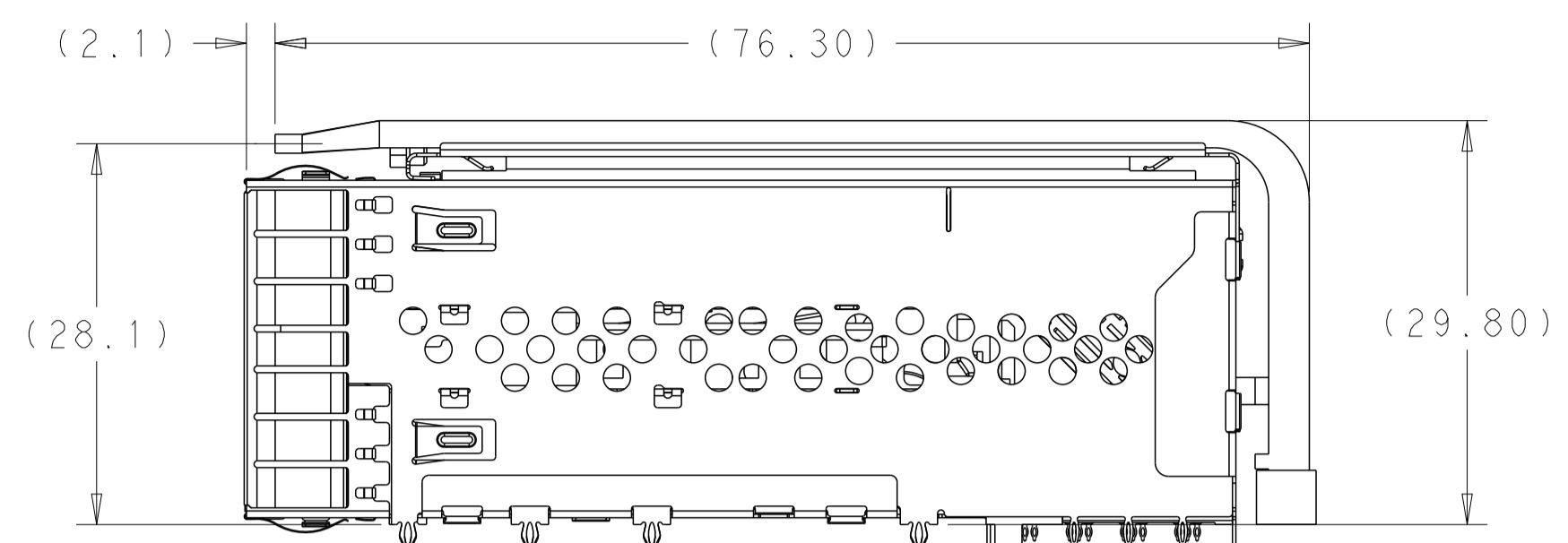
1-2299870-9
SCALE 2:1

THIS DRAWING IS A CONTROLLED DOCUMENT.		OWN TIM XUE 28JAN2016	
DIMENSIONS:		CHK SEAN HAN 28JAN2016	
mm	TOLERANCES UNLESS OTHERWISE SPECIFIED:	APVD SEAN HAN 28JAN2016	NAME
0 PLC ±	1 PLC ±0.25	PRODUCT SPEC	CAGE AND CONNECTOR ASSEMBLY WITH
2 PLC ±0.15	3 PLC ±	108-60102	EMI SPRING FINGERS, THRU-BEZEL,
4 PLC ±	ANGLES ±	APPLICATION SPEC	2X2 ZQSF+ STACKED WITH HS
MATERIAL	FINISH	114-60015	SIZE
SEE NOTE 1	SEE NOTE 2	WEIGHT	CAGE CODE
		CUSTOMER DRAWING	DRAWING NO
		A100779	RESTRICTED TO
		SCALE 4:1	SHEET 6 OF 16
		REV K1	

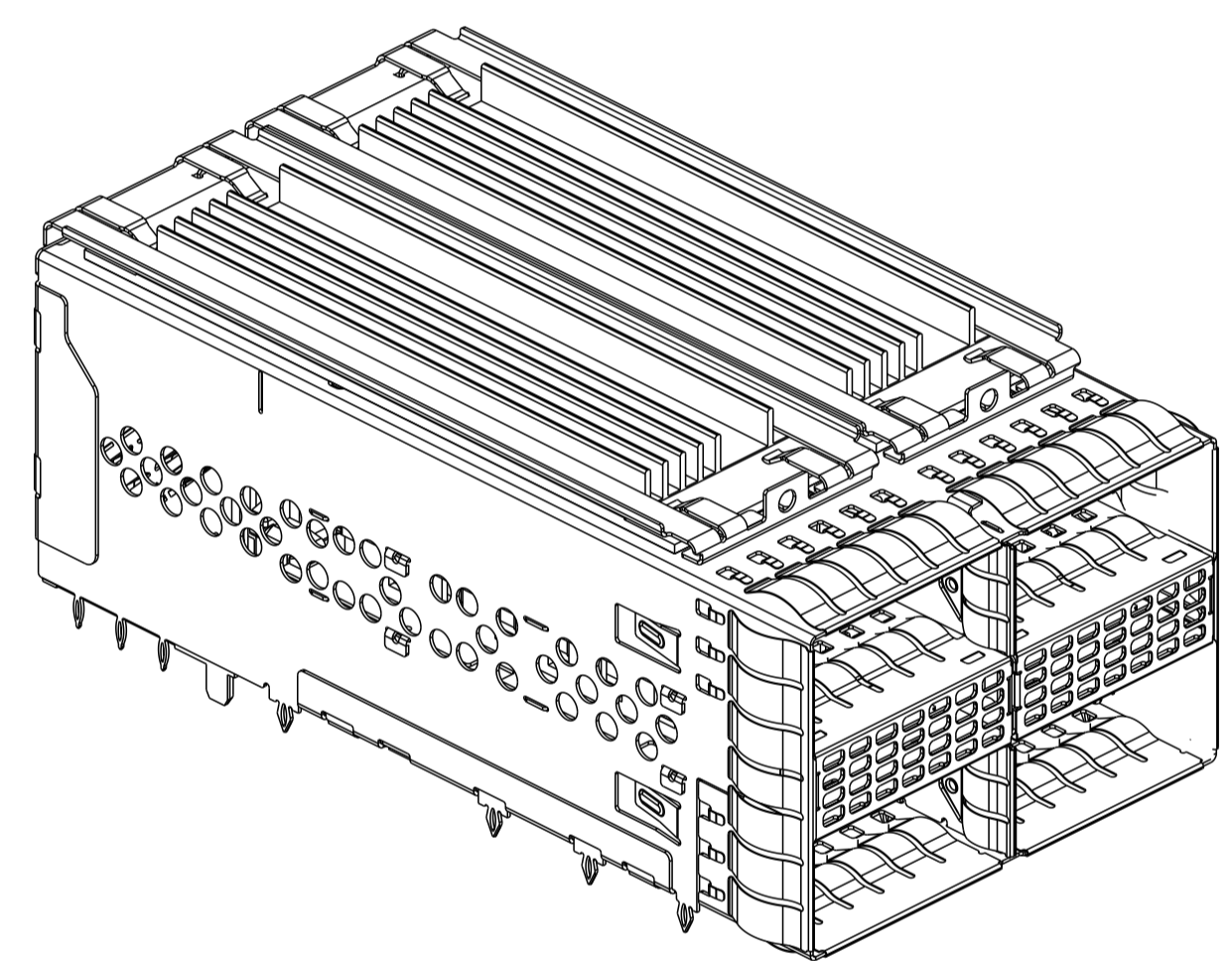
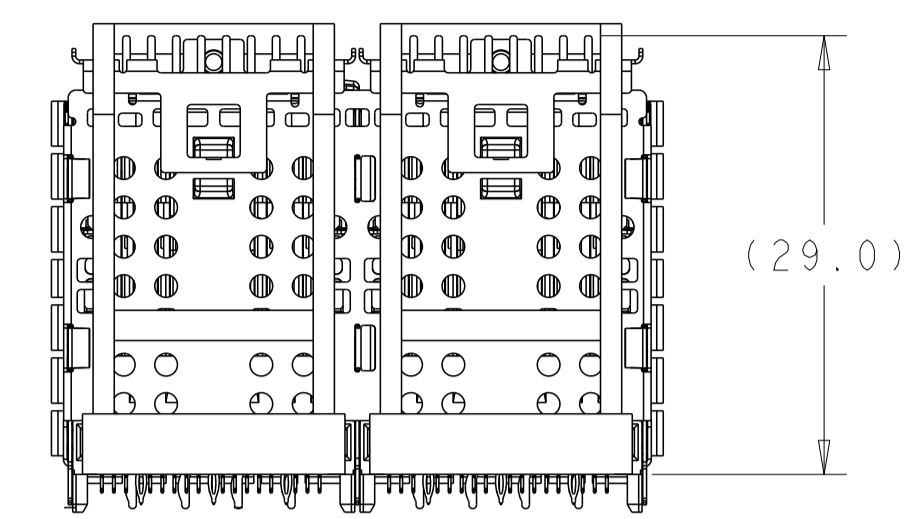
LOC		DIST		REVISIONS				
P	LYR	DATE	OWN	APVD	DESCRIPTION	DATE	OWN	APVD
-	-	-	-	-	SEE SHEET 1	-	-	-



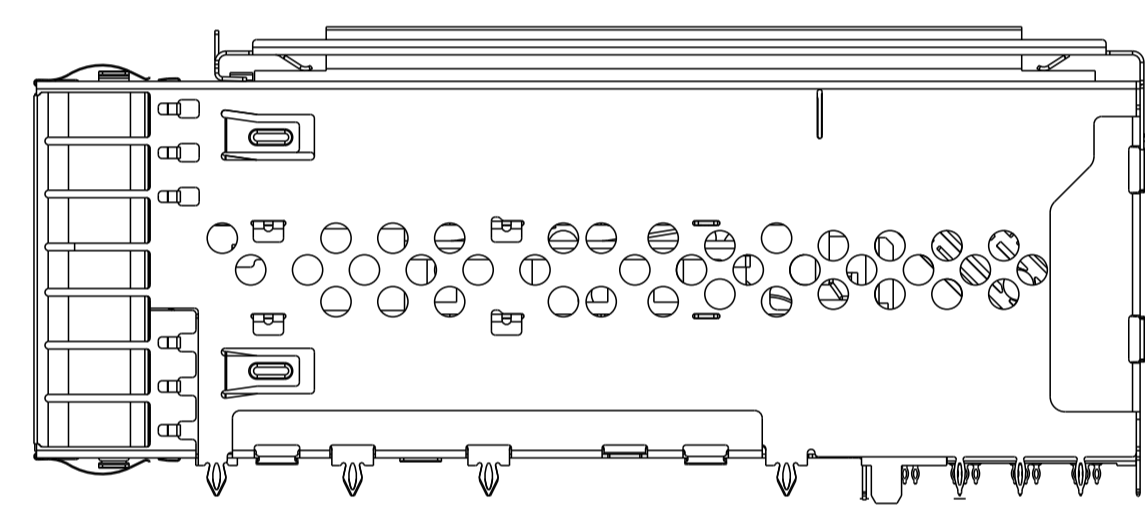
3-2299870-0
SCALE 2:1



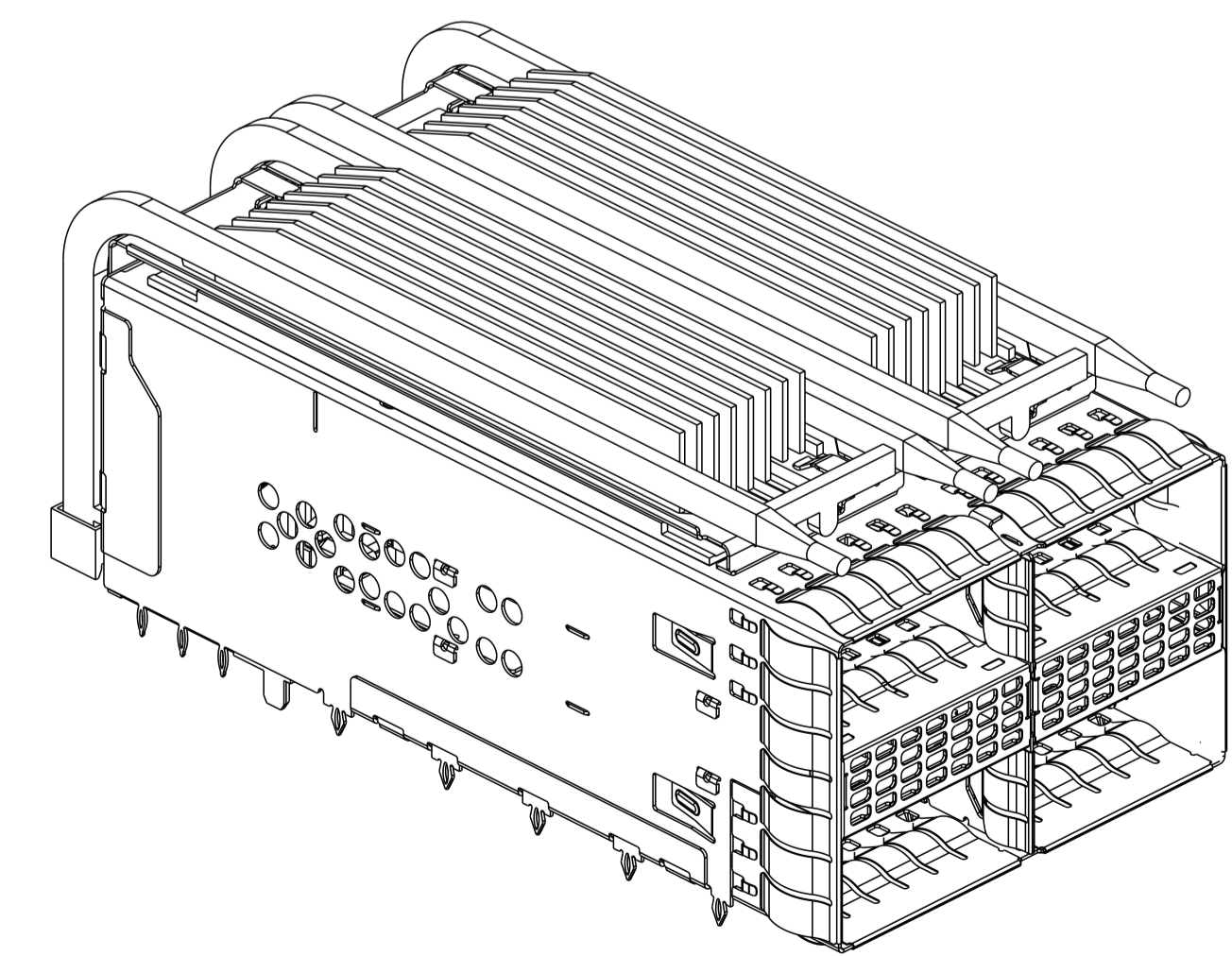
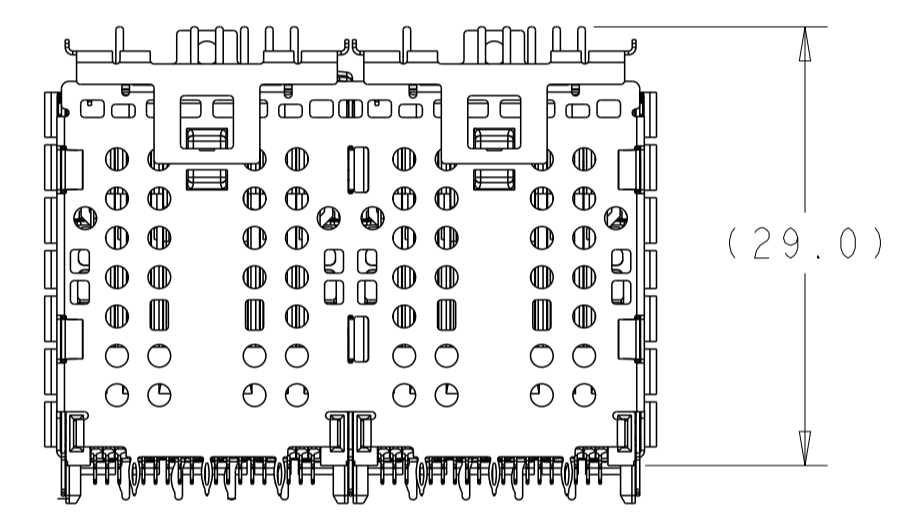
SCALE 2:1



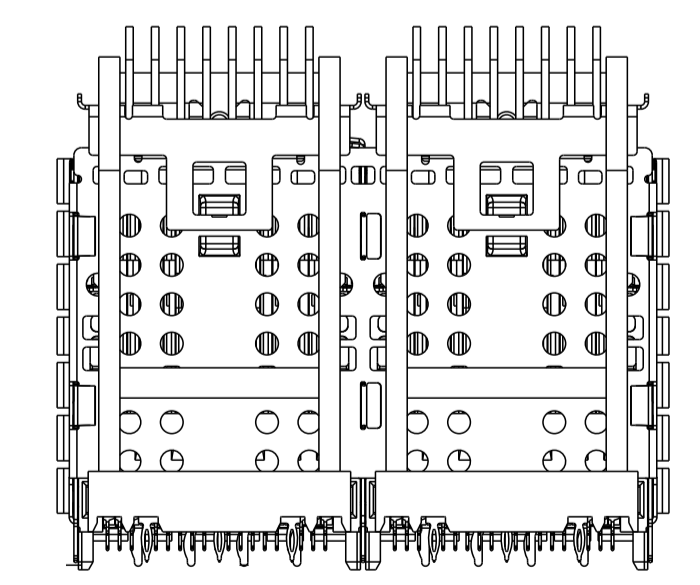
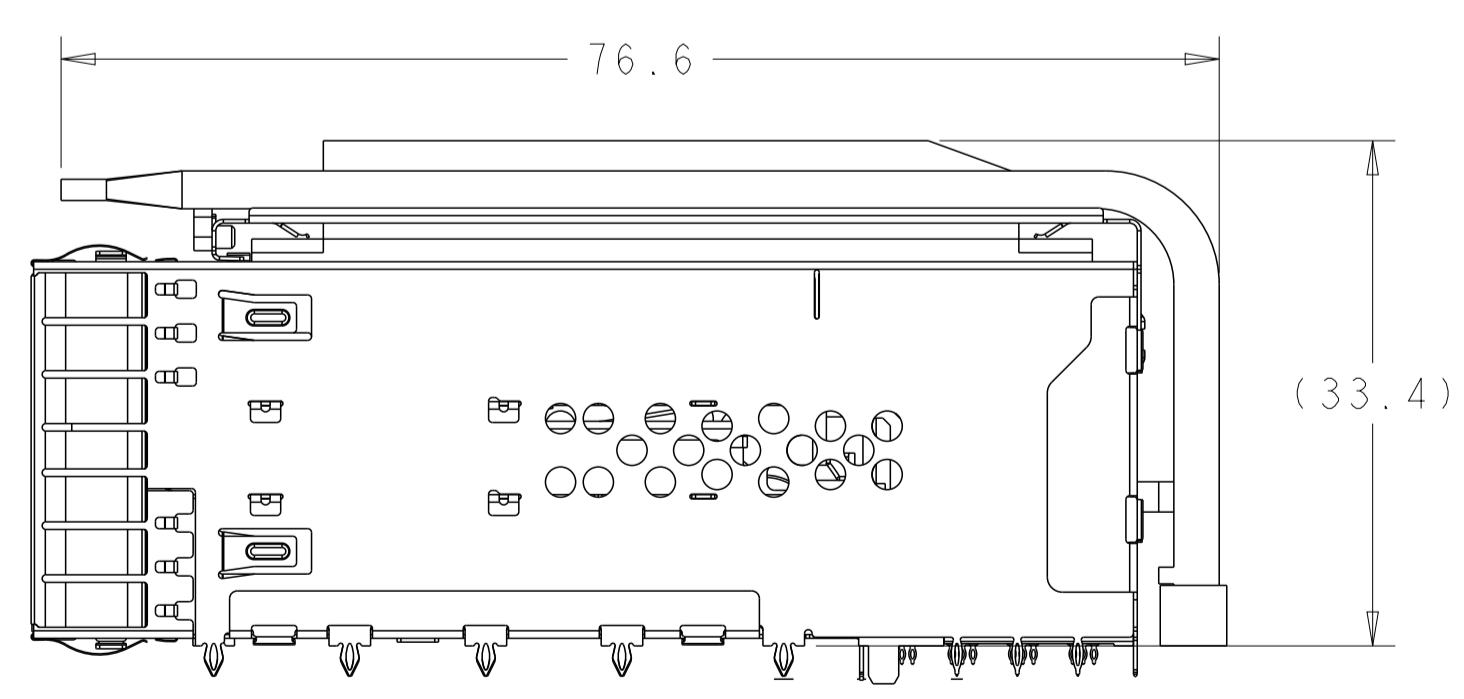
3-2299870-1
SCALE 2:1



SCALE 2:1



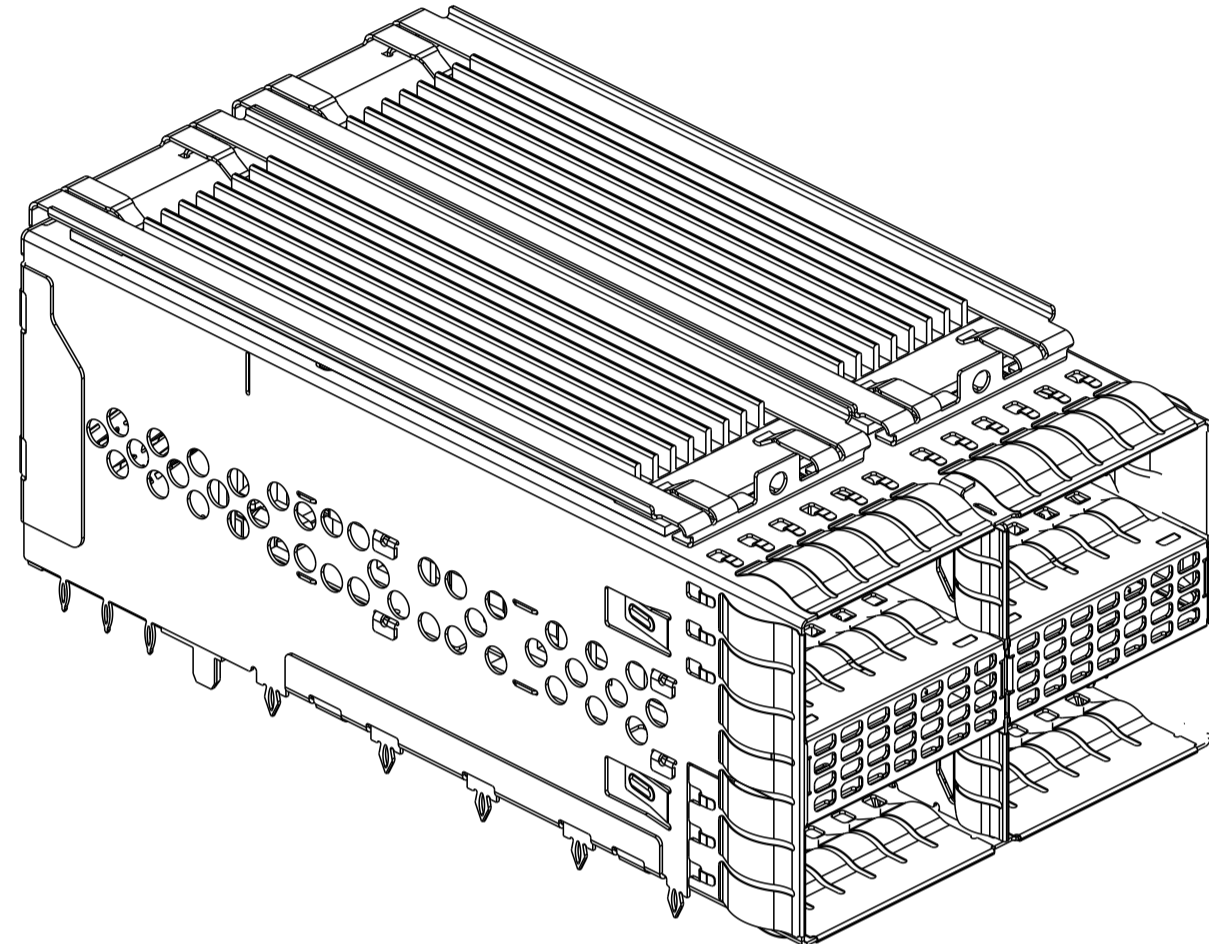
3-2299870-8
SCALE 2:1



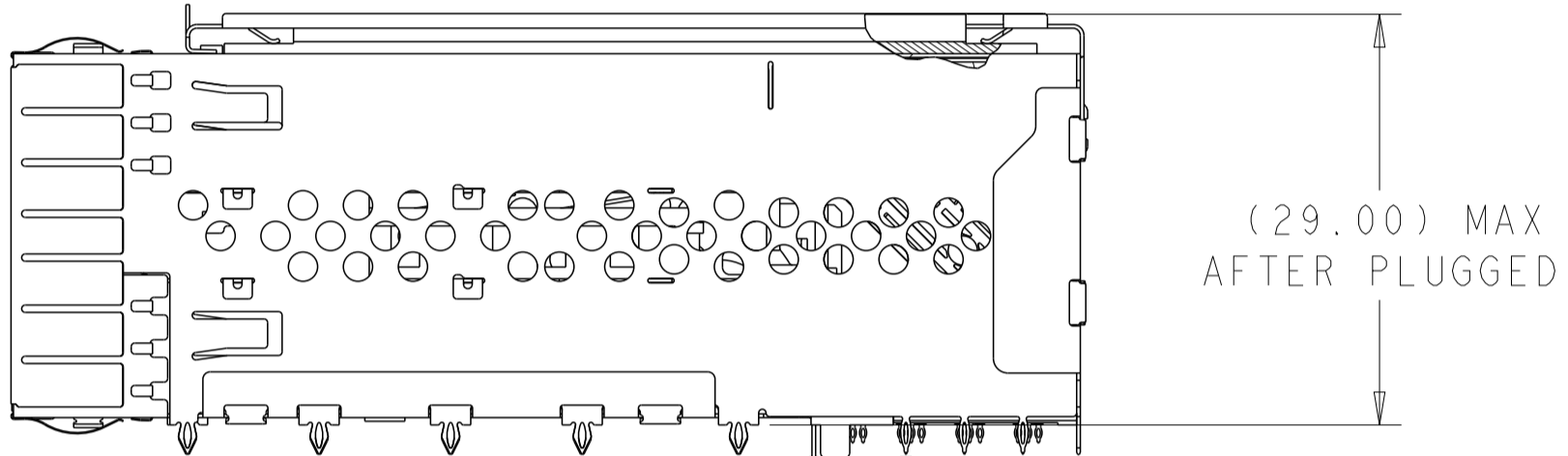
3-2299870-8
SCALE 2:1

THIS DRAWING IS A CONTROLLED DOCUMENT.		OWN TIM XUE 28JAN2016	
DIMENSIONS:		CHK SEAN HAN 28JAN2016	
mm	0 PLC ± 1 PLC ±0.25 2 PLC ±0.15 3 PLC ± 4 PLC ±	APVD SEAN HAN 28JAN2016	NAME CAGE AND CONNECTOR ASSEMBLY WITH EMI SPRING FINGERS, THRU-BEZEL, 2X2 ZQSFP+ STACKED WITH HS
TOLERANCES UNLESS OTHERWISE SPECIFIED:		PRODUCT SPEC 108-60102	SIZE A1
MATERIAL SEE NOTE 1		APPLICATION SPEC 114-60015	CAGE CODE C=2299870
FINISH SEE NOTE 2		WEIGHT -	RESTRICTED TO CUSTOMER DRAWING
		SCALE 4:1	SHEET 7 OF 16
		REV K1	

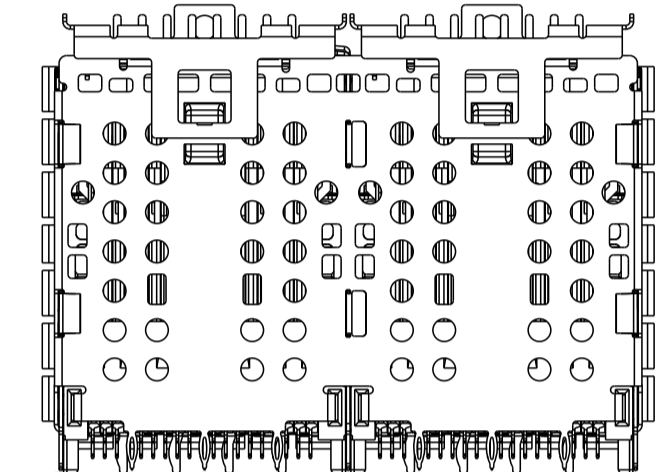
LOC		DIST		REVISIONS			
P	LYR	DESCRIPTION	DATE	DNW	APVD		
-	-	SEE SHEET 1	-	-	-		




2-2299870-4
SCALE 2:1

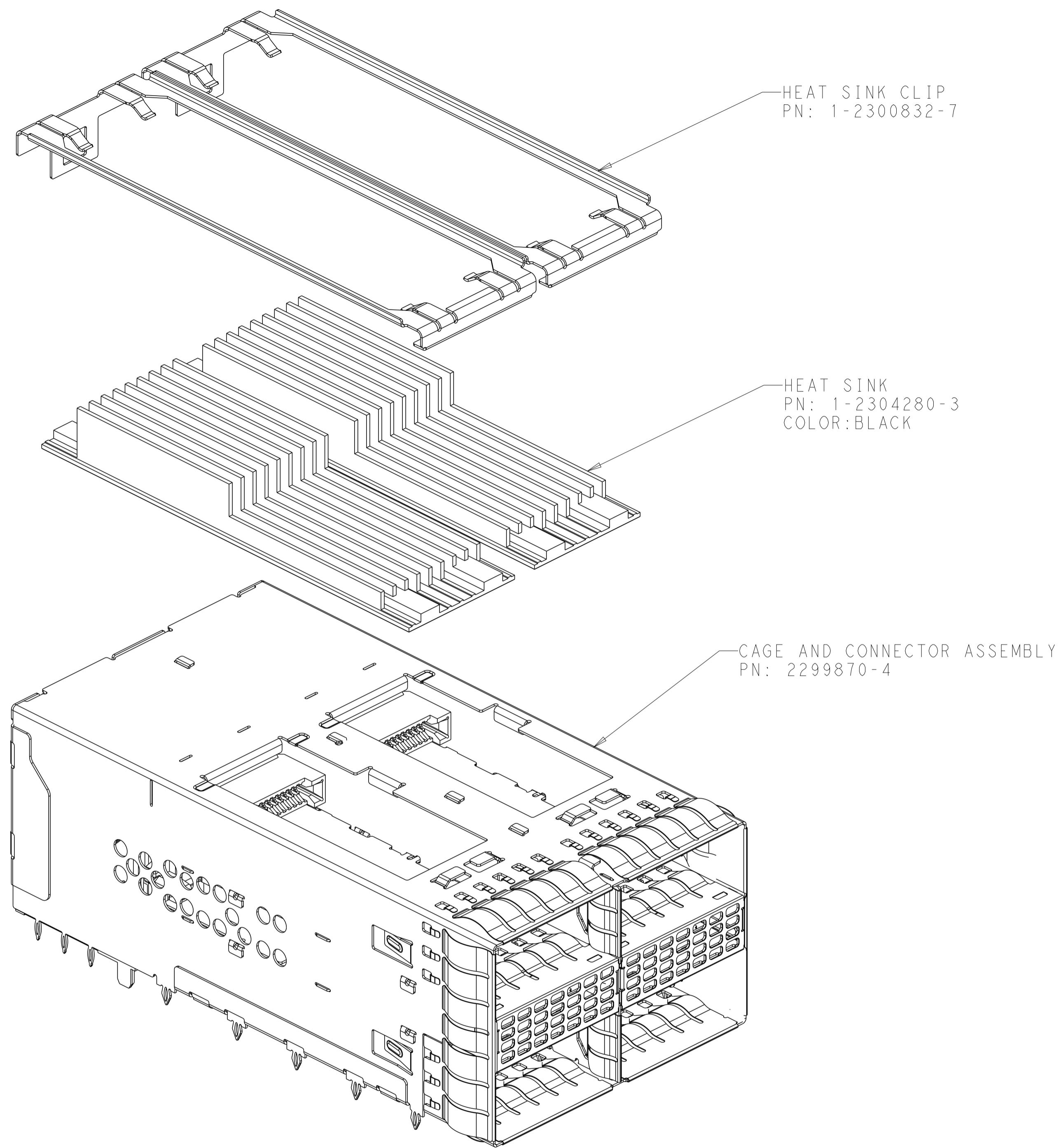


SECTION U-U
SCALE 2:1

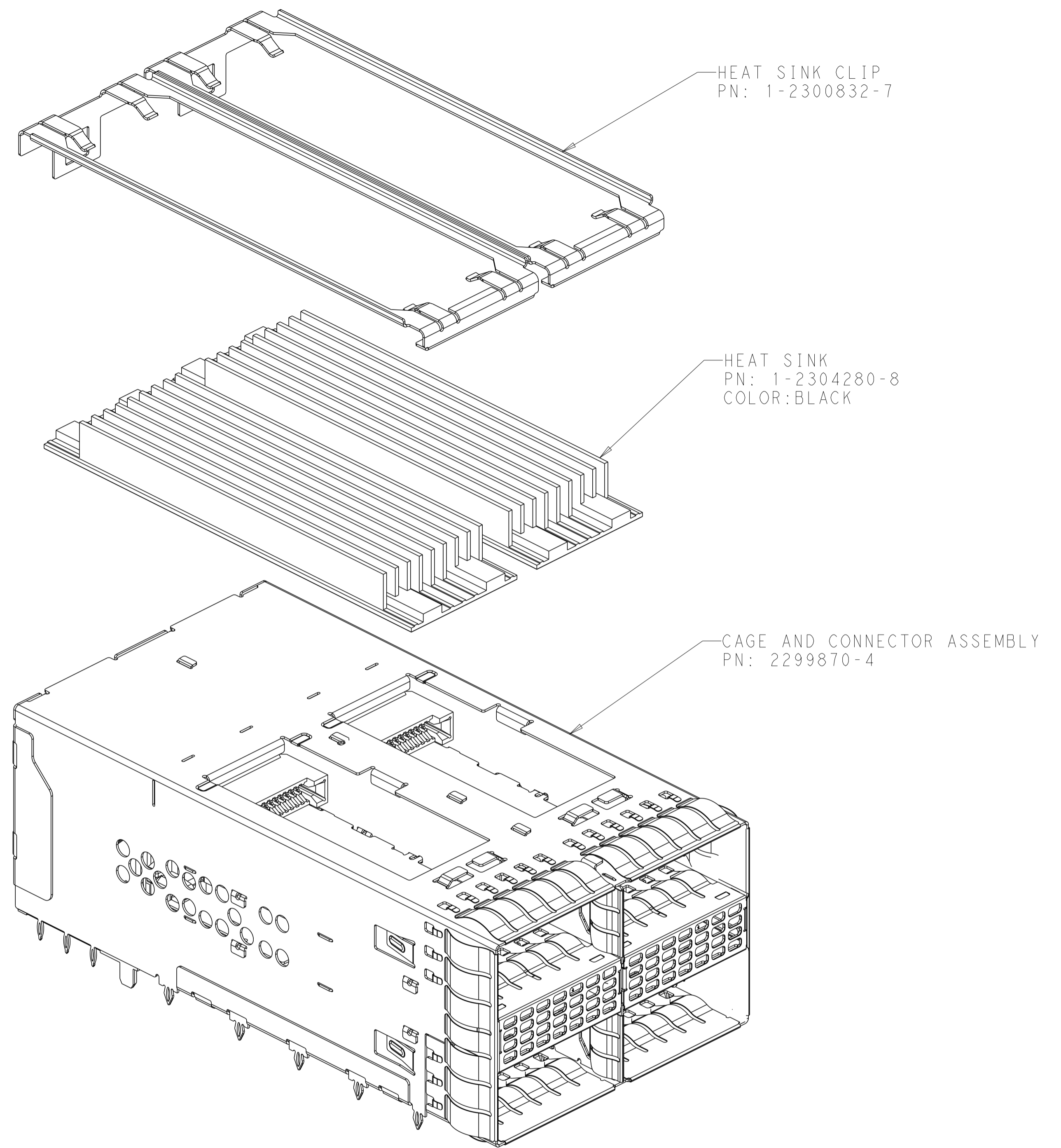


THIS DRAWING IS A CONTROLLED DOCUMENT.		DNW	TIM XUE	28JAN2016	 TE Connectivity									
DIMENSIONS:		CHK	SEAN HAN	28JAN2016										
mm	0 PLC ±	APVD	SEAN HAN	28JAN2016	NAME CAGE AND CONNECTOR ASSEMBLY WITH EMI SPRING FINGERS, THRU BEZEL, 2X2 ZQSFP+ STACKED WITH HS									
	1 PLC ±0.25	PRODUCT SPEC												
	2 PLC ±0.15	APPLICATION SPEC												
	3 PLC ±	108-60102												
	4 PLC ±	114-60015			SIZE	CAGE CODE	DRAWING NO	RESTRICTED TO						
	ANGLES ±	FINISH			A1	00779	2299870	-						
MATERIAL	SEE NOTE 1	SEE NOTE 2			CUSTOMER DRAWING		SCALE	4:1	SHEET	8	OF	16	REV	K1

LOC	DIST	REVISIONS			
P	LTN	DESCRIPTION	DATE	DMN	APVD
-	-	SEE SHEET 1	-	-	-



2299870-3 AS SHOWN, KIT PACKAGE
 SCALE 3:1



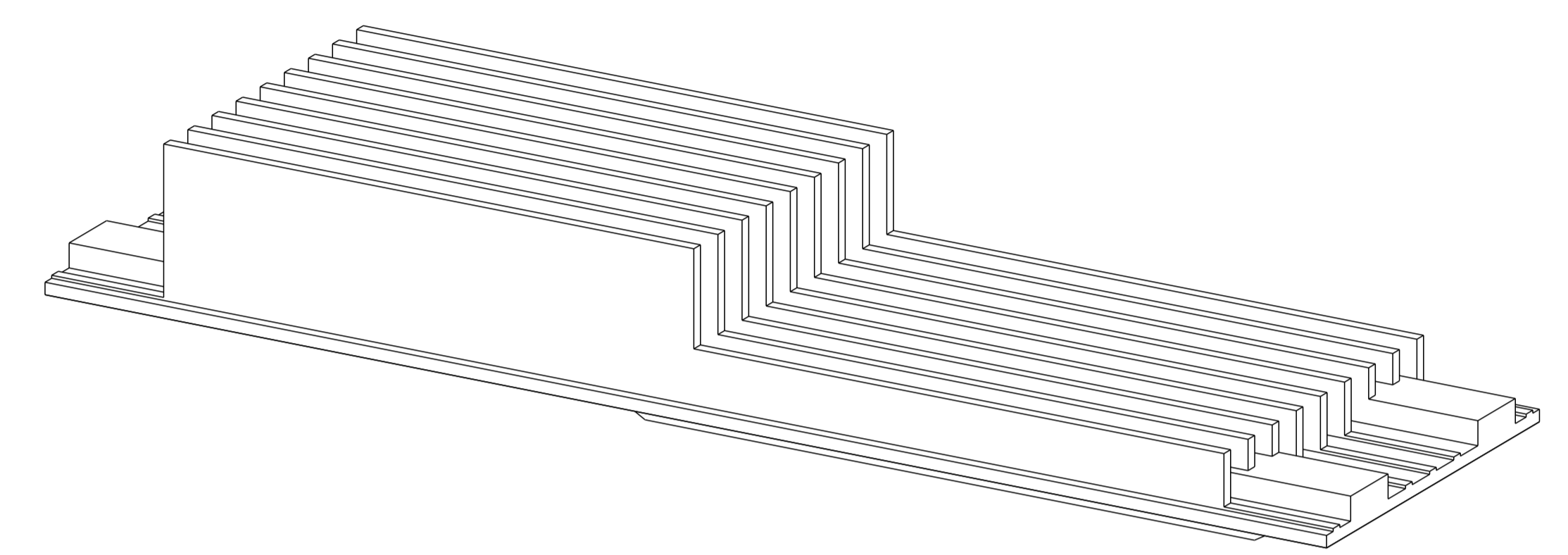
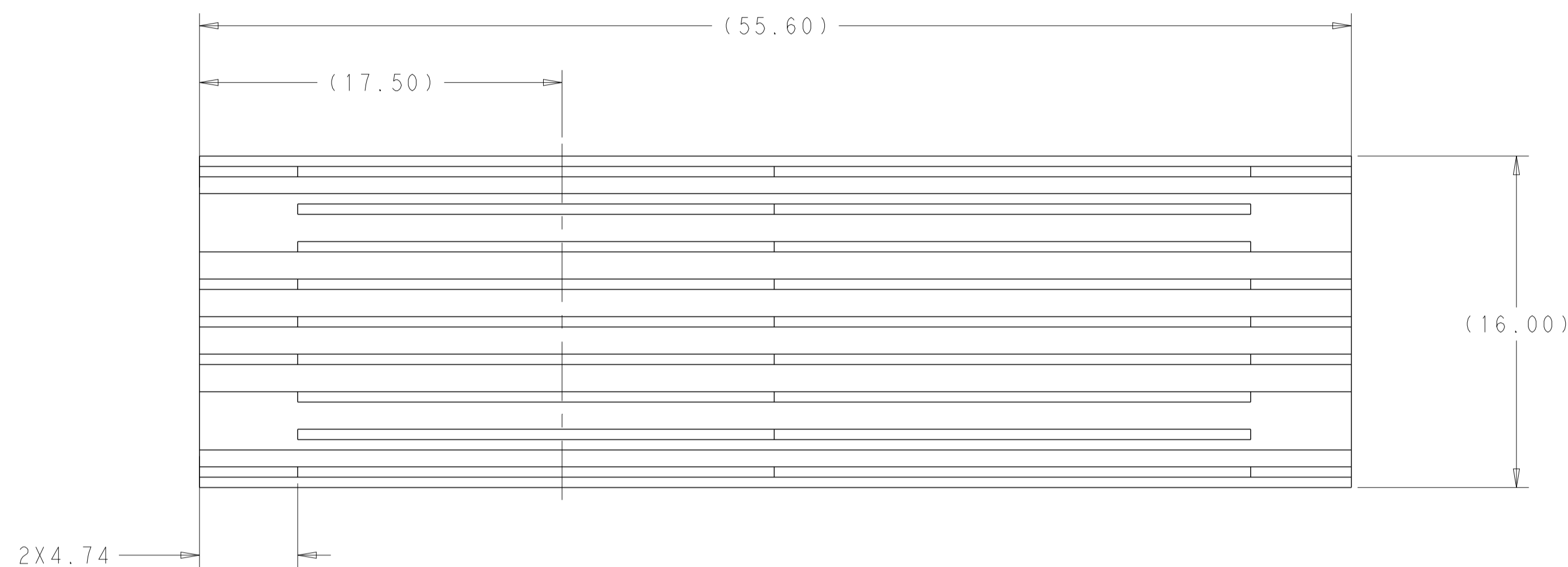
1-2299870-3 AS SHOWN, KIT PACKAGE
 SCALE 3:1

2	2	1-2300832-7	HEAT SINK CLIP	3
2	-	1-2304280-8	HEAT SINK	2
-	2	1-2304280-3		
1	1	2299870-4	CAGE AND CONNECTOR ASSEMBLY	1
1-2299870-3	2299870-3	PART NUMBER	DESCRIPTION	ITEM

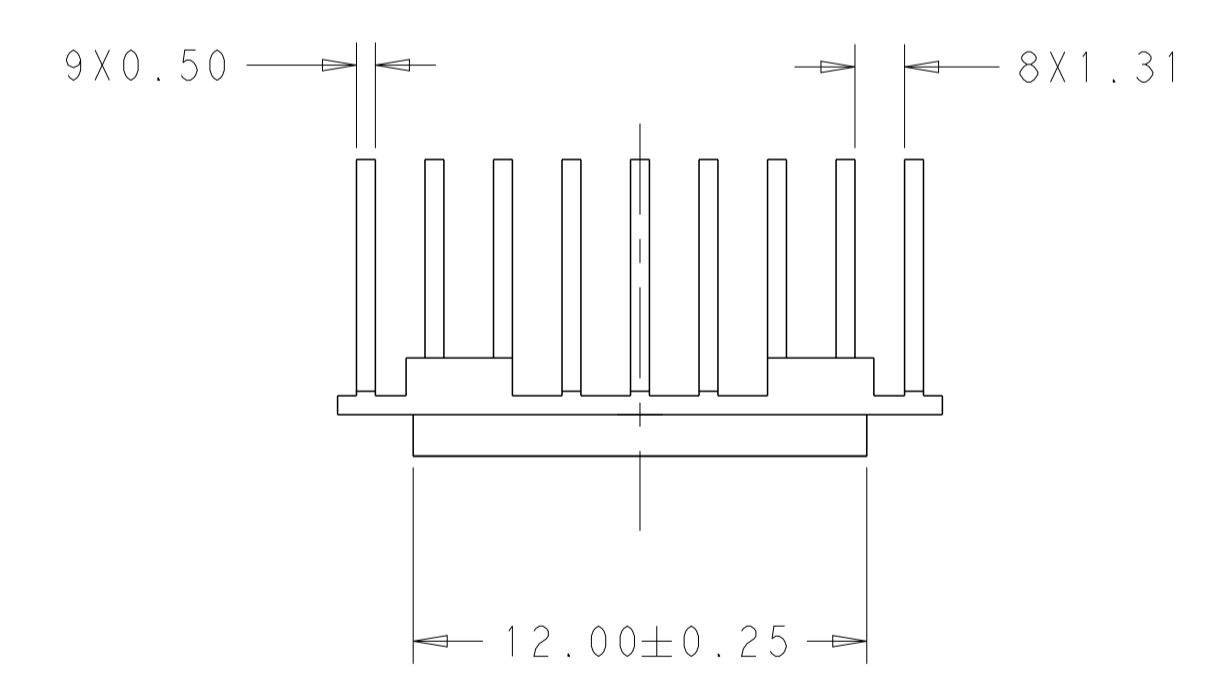
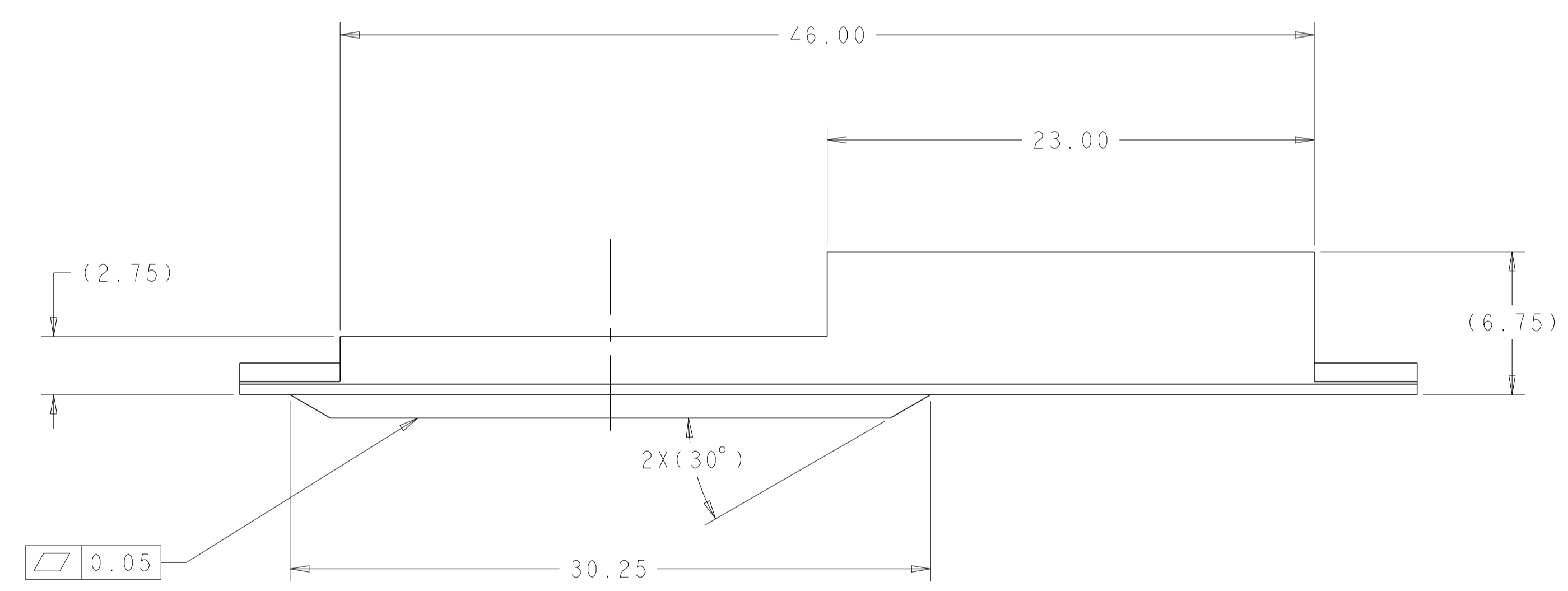
THIS DRAWING IS A CONTROLLED DOCUMENT.

DIMENSIONS:	TOLERANCES UNLESS OTHERWISE SPECIFIED:	DMN TIM XUE 28JAN2016	NAME STE TE Connectivity
mm	0 PLC ± 1 PLC ±0.25 2 PLC ±0.15 3 PLC ± 4 PLC ± ANGLES ±	CHK SEAN HAN 28JAN2016	APVD SEAN HAN 28JAN2016
MATERIAL	FINISH	PRODUCT SPEC 108-60102	APPLICATION SPEC 114-60015
SEE NOTE 1	SEE NOTE 2	WEIGHT	RESTRICTED TO
CUSTOMER DRAWING		SCALE 4:1	SHEET 9 OF 16 REV K1

LOC	DIST	REVISIONS			
P	LTN	DESCRIPTION	DATE	DMN	APVD
-	-	SEE SHEET 1	-	-	-

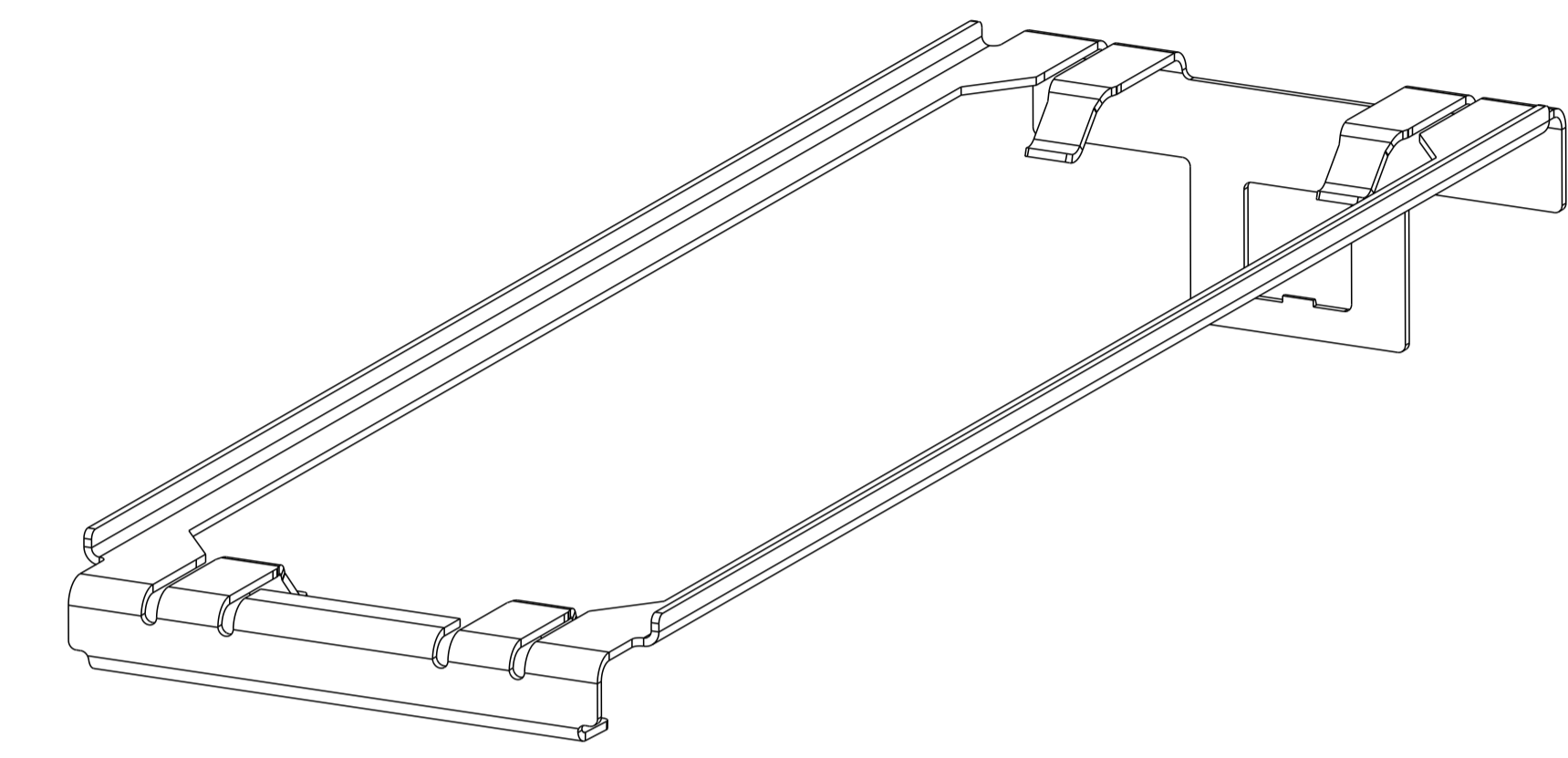
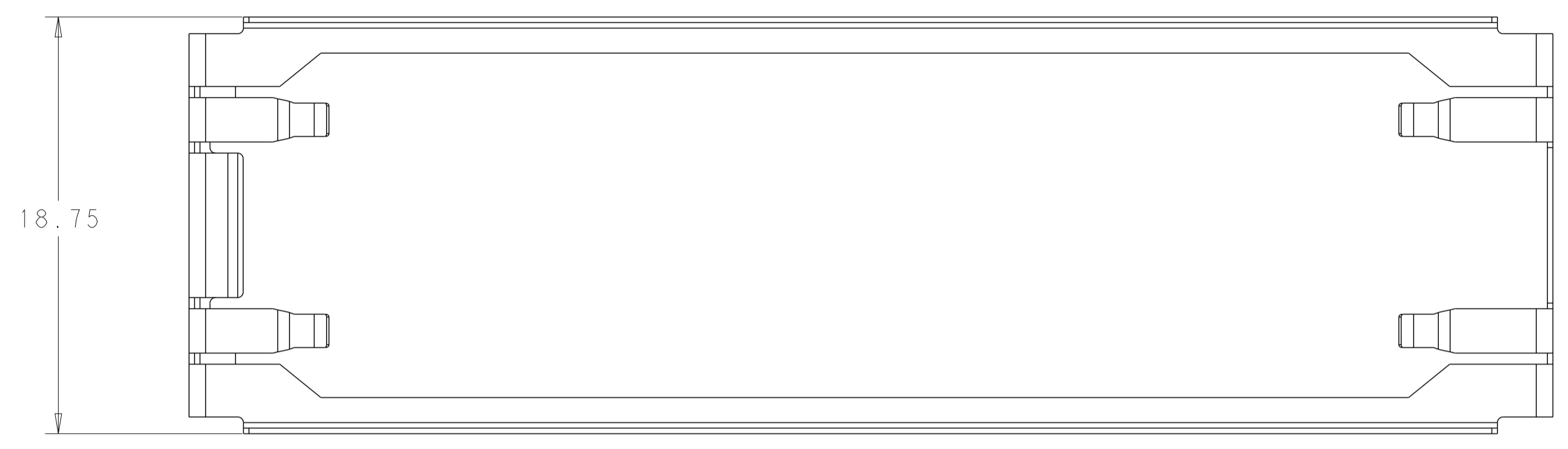


1-2304280-3 HEAT SINK SHOWN
 (THE COLOR IS BLACK)
 SCALE 5:1

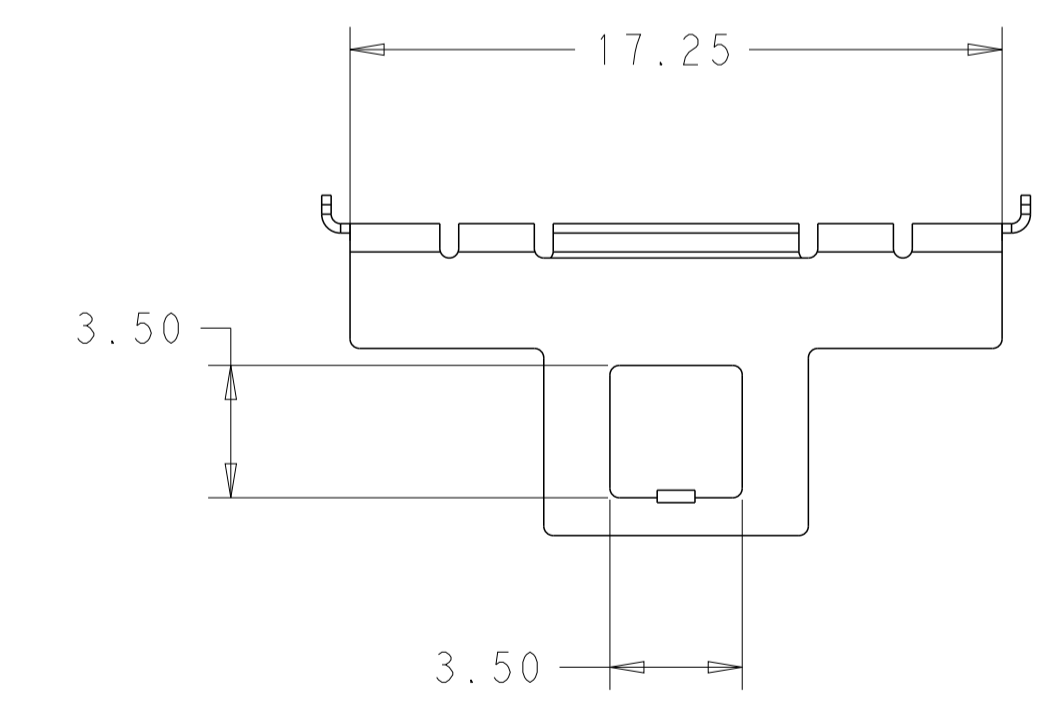
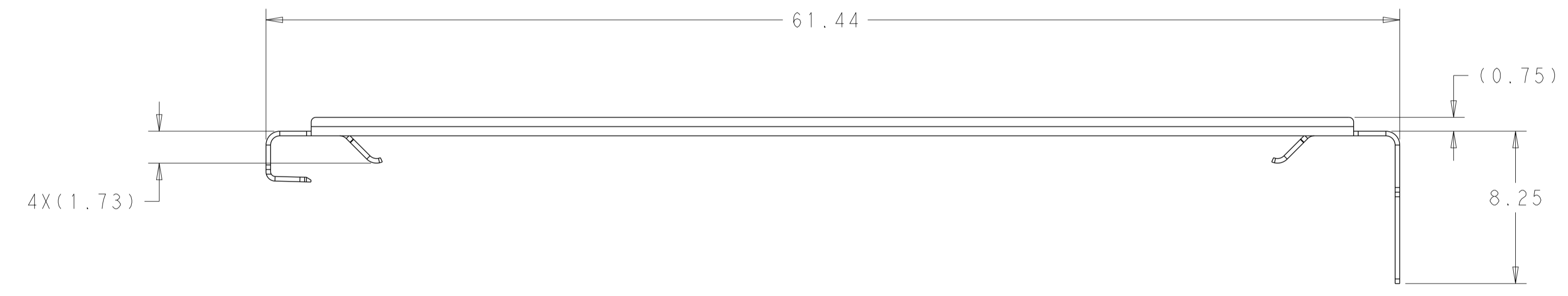


THIS DRAWING IS A CONTROLLED DOCUMENT.		DMN TIM XUE 28JAN2016	TE Connectivity
DIMENSIONS: mm		CHK SEAN HAN 28JAN2016	
TOLERANCES UNLESS OTHERWISE SPECIFIED:		APVD SEAN HAN 28JAN2016	NAME CAGE AND CONNECTOR ASSEMBLY WITH EMI SPRING FINGERS, THRU BEZEL, 2X2 ZQSFP+ STACKED WITH HS
0 PLC ±	1 PLC ±0.25	PRODUCT SPEC	SIZE 108-60102
2 PLC ±0.15	3 PLC ±	APPLICATION SPEC	CAGE CODE 114-60015
4 PLC ±	ANGLES ±	FINISH ±	DRAWING NO A100779
MATERIAL SEE NOTE 1	SEE NOTE 2	WEIGHT -	DRAWING NO C=2299870
CUSTOMER DRAWING		SCALE 4:1	RESTRICTED TO SHEET 10 OF 16 REV K1

LOC	DIST	REVISIONS			
P	LTN	DESCRIPTION	DATE	DMN	APVD
-	-	SEE SHEET 1	-	-	-

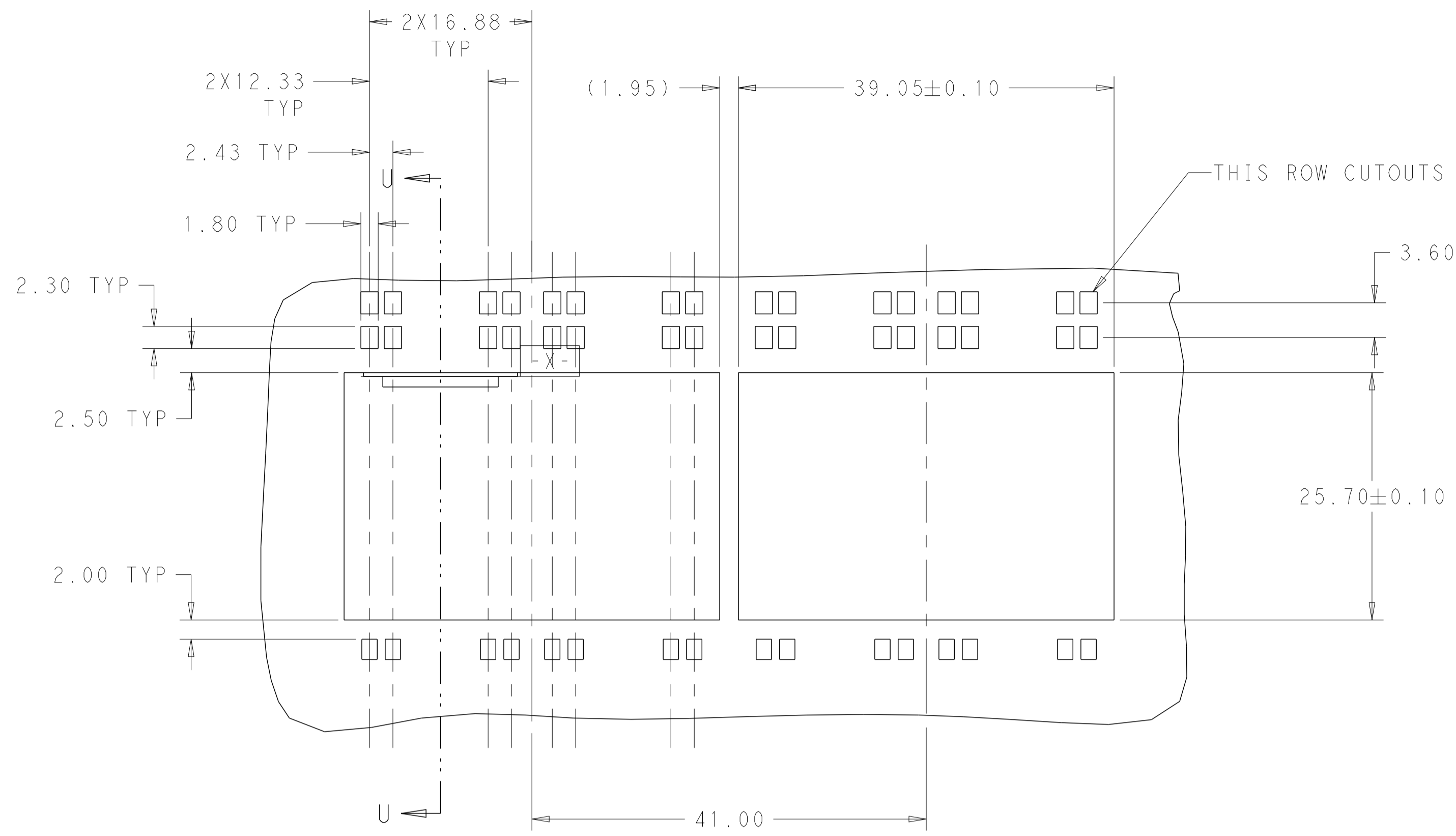


1-2300832-7, HEAT SINK CLIP
 SCALE 5:1

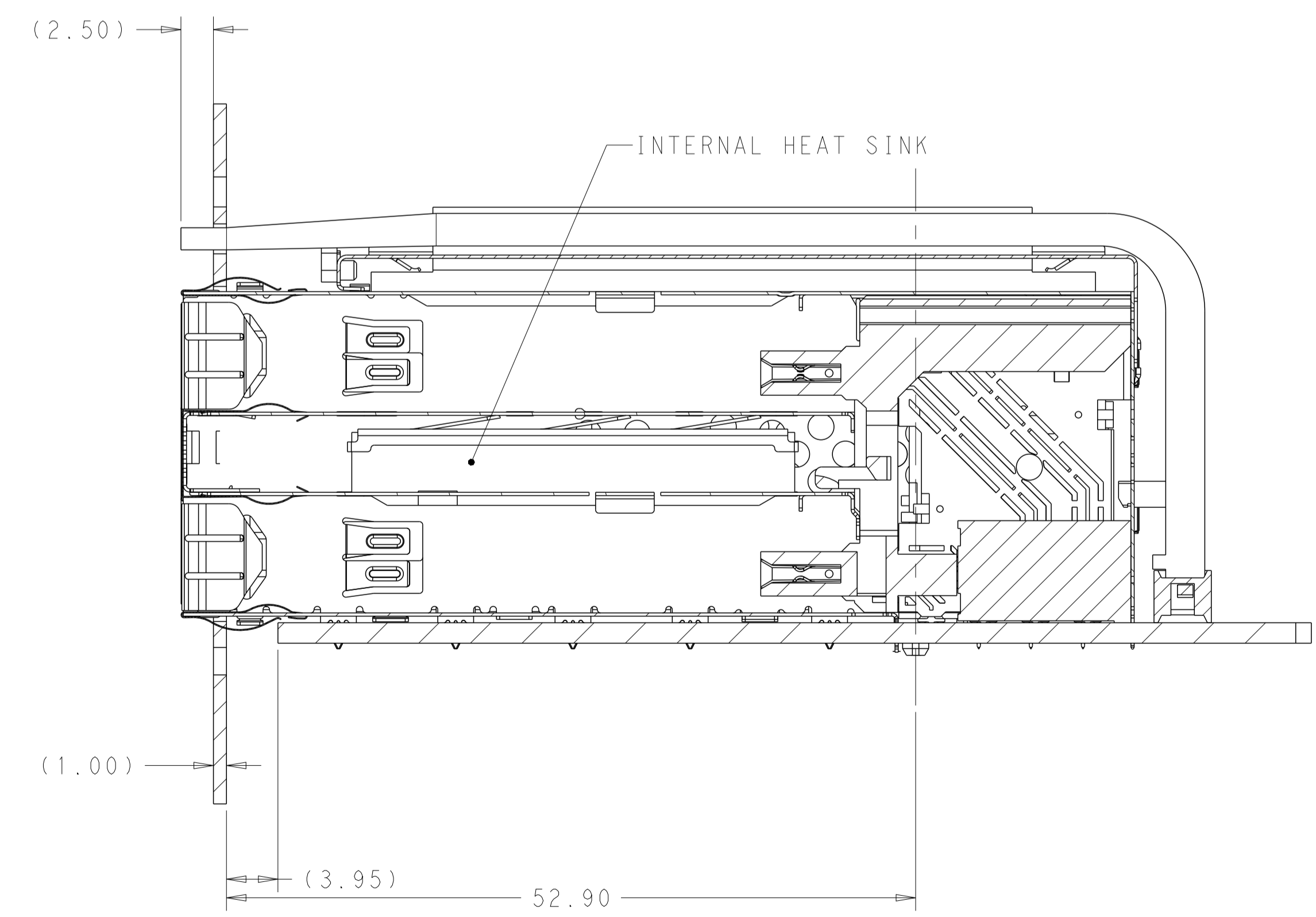
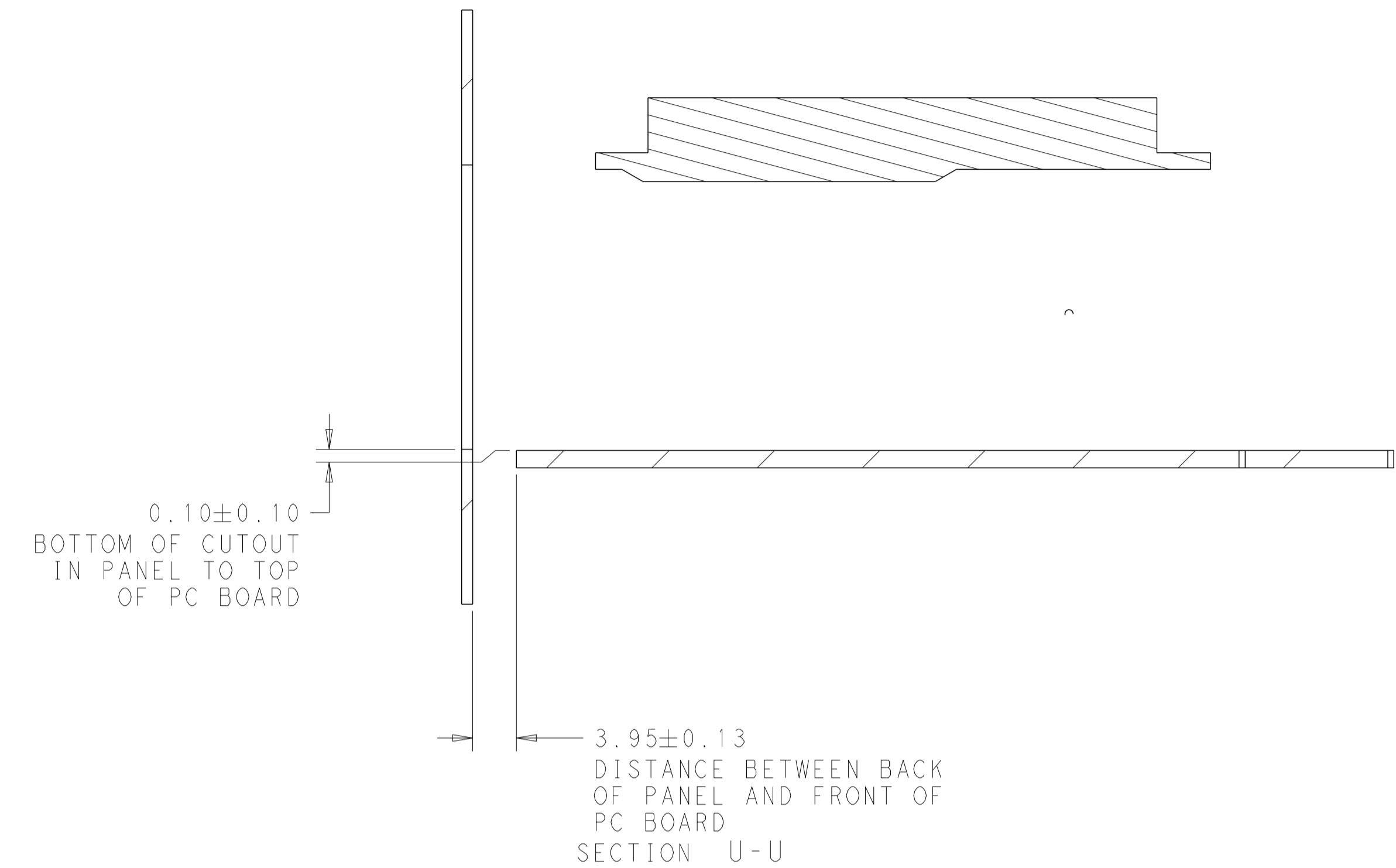


THIS DRAWING IS A CONTROLLED DOCUMENT.		DMN TIM XUE 28JAN2016	TE Connectivity	
DIMENSIONS: mm		CHK SEAN HAN 28JAN2016	STE NAME CAGE AND CONNECTOR ASSEMBLY WITH EMI SPRING FINGERS, THRU BEZEL, 2X2 ZQSFP+ STACKED WITH HS	
TOLERANCES UNLESS OTHERWISE SPECIFIED:		APVD SEAN HAN 28JAN2016		
0 PLC ± 1 PLC ±0.25 2 PLC ±0.15 3 PLC ± 4 PLC ± ANGLES ± FINISH ±		PRODUCT SPEC 108-60102 APPLICATION SPEC 114-60015		
MATERIAL SEE NOTE 1		SIZE A100779C=2299870 CUSTOMER DRAWING		
SEE NOTE 2		WEIGHT - SCALE 4:1 SHEET 11 OF 16 REV K1		

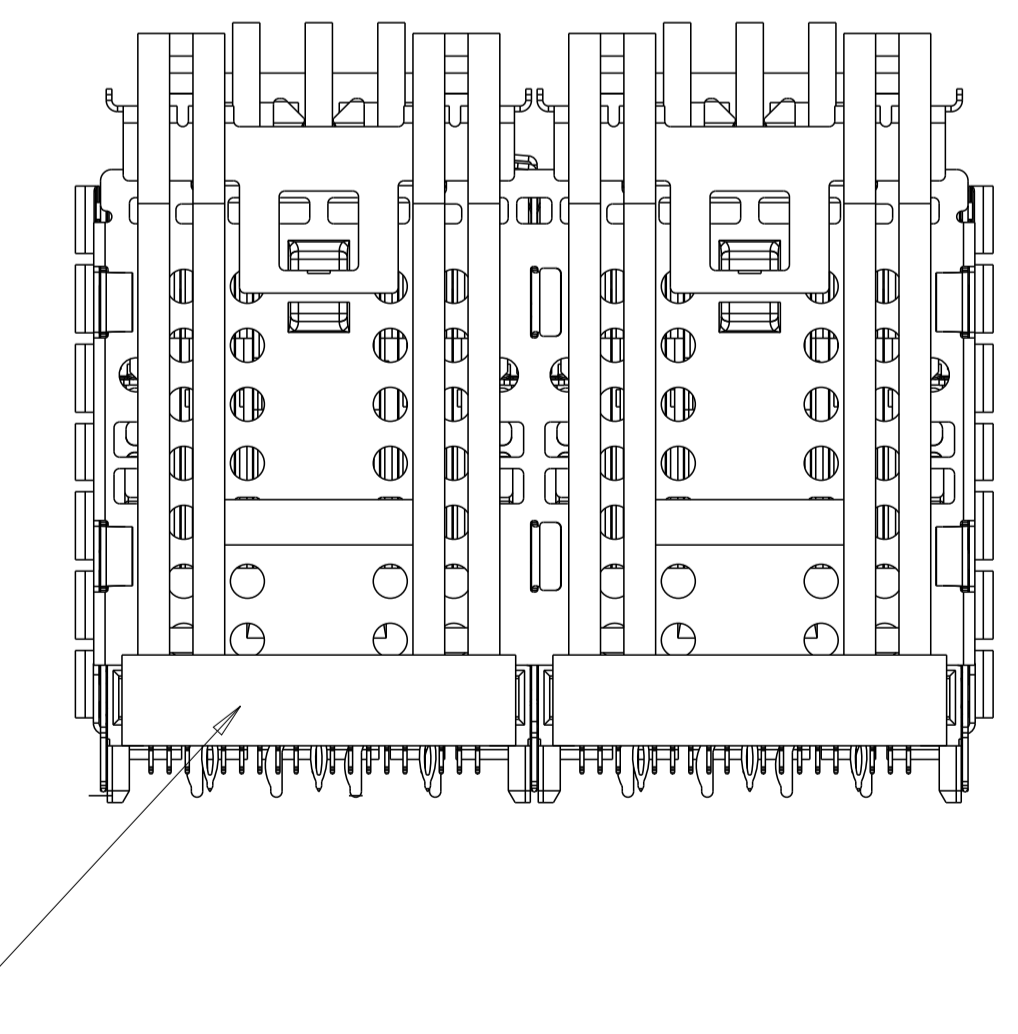
LOC	DIST	REVISIONS			
P	LTN	DESCRIPTION	DATE	DMN	APVD
-	-	SEE SHEET 1	-	-	-



RECOMMENDED PANEL CUTOUT
 AND PC BOARD PANEL POSITION
 SCALE 5:2

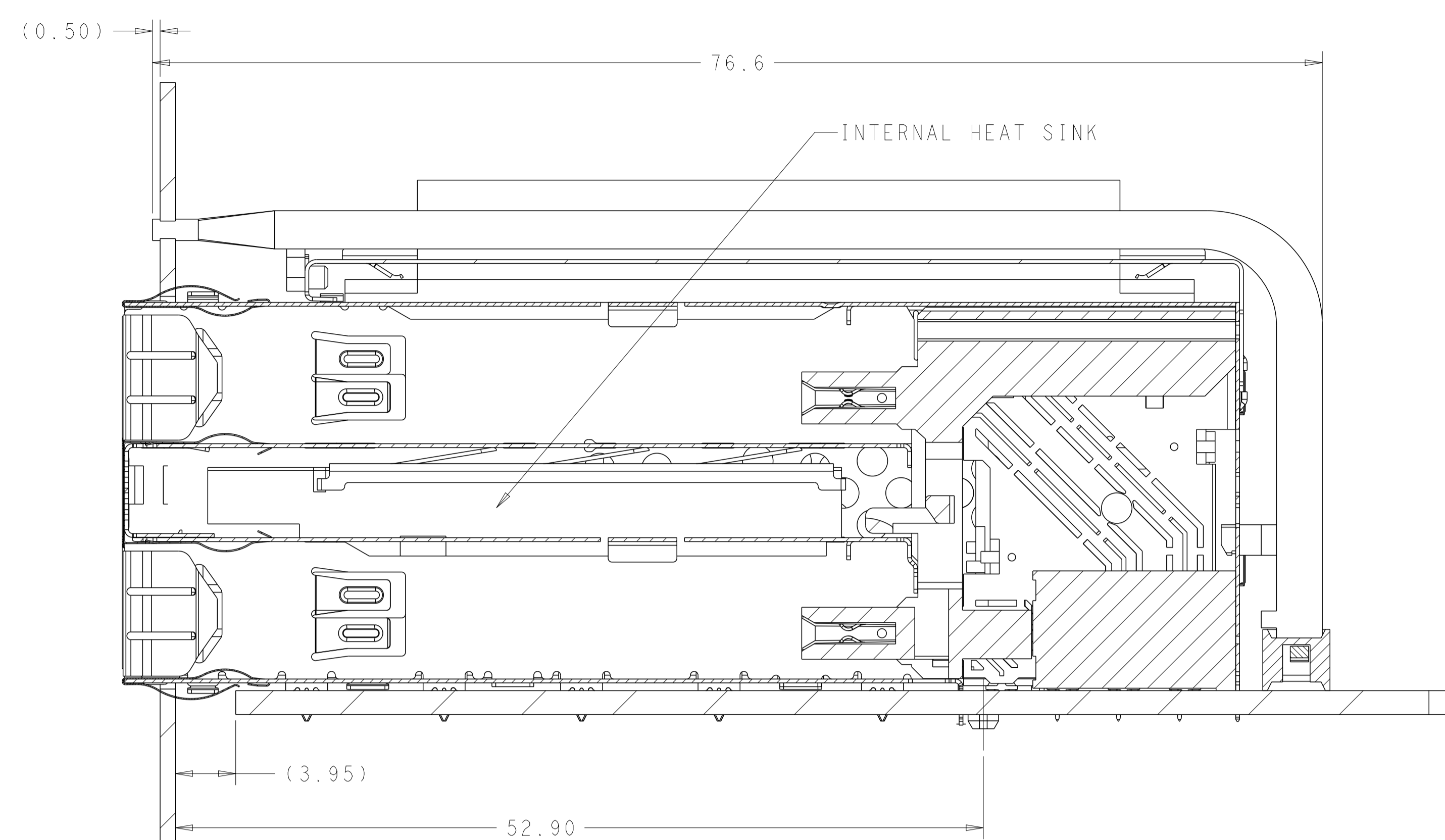


2299870-1 BEZEL LOCATION AS SHOWN
 SECTION V-V
 SCALE 3:1

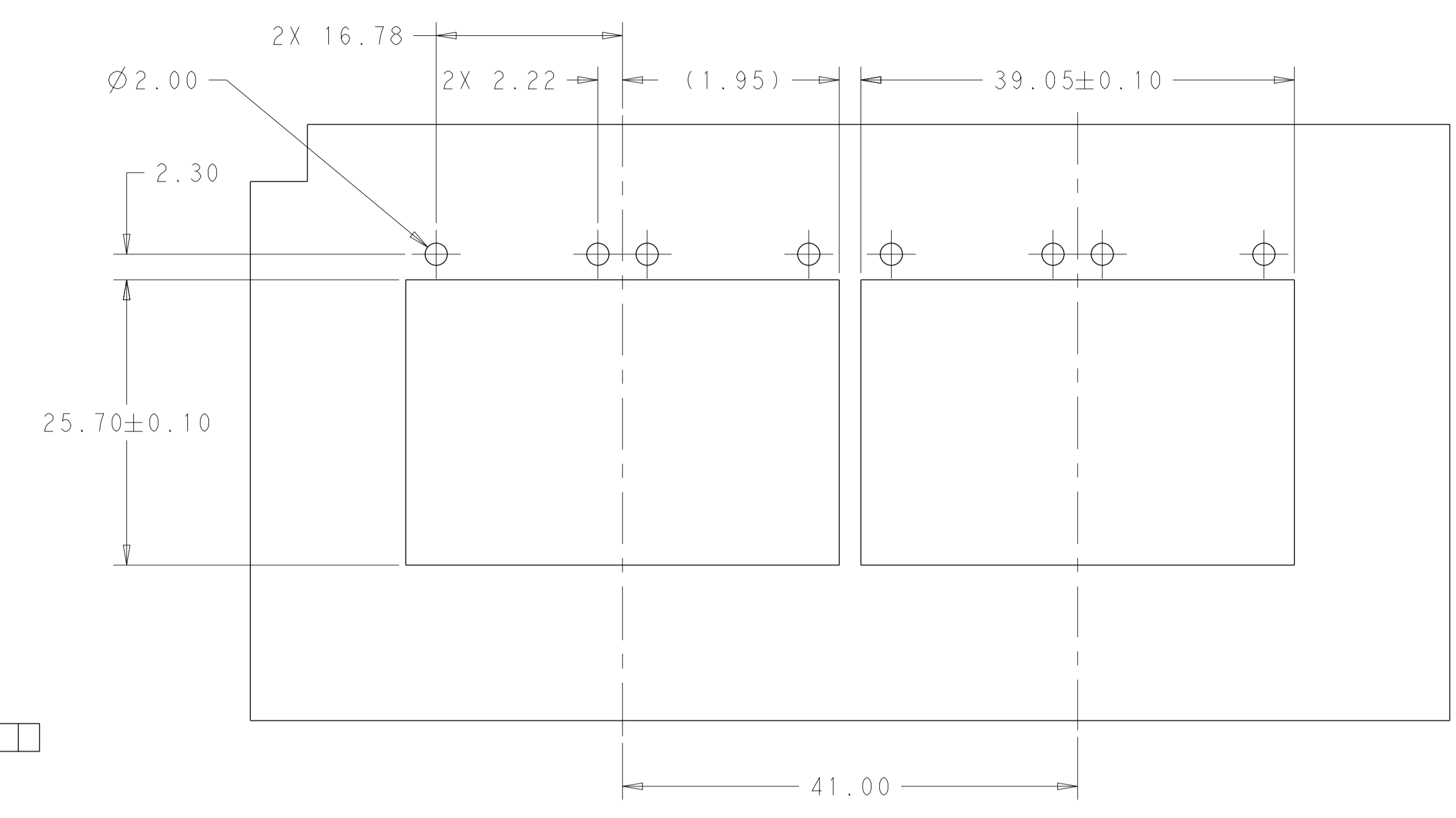


THIS DRAWING IS A CONTROLLED DOCUMENT.		DMN TIM XUE 28JAN2016	28JAN2016	STE TE Connectivity
DIMENSIONS:		CHK SEAN HAN 28JAN2016	28JAN2016	
mm	TOLERANCES UNLESS OTHERWISE SPECIFIED:	APVD SEAN HAN 28JAN2016	NAME	CAGE AND CONNECTOR ASSEMBLY WITH EMI SPRING FINGERS, THRU BEZEL, 2X2 ZQSFP+ STACKED WITH HS
0 PLC	±	PRODUCT SPEC	108-60102	
1 PLC	±0.25	APPLICATION SPEC	114-60015	
2 PLC	±0.15	WEIGHT	-	
3 PLC	±	MATERIAL	SEE NOTE 1	RESTRICTED TO
4 PLC	±	FINISH	SEE NOTE 2	SCALE 4:1 SHEET 12 OF 16 REV K1
ANGLES	±	WEIGHT	-	CUSTOMER DRAWING
FINISH	±	WEIGHT	-	SCALE 4:1 SHEET 12 OF 16 REV K1

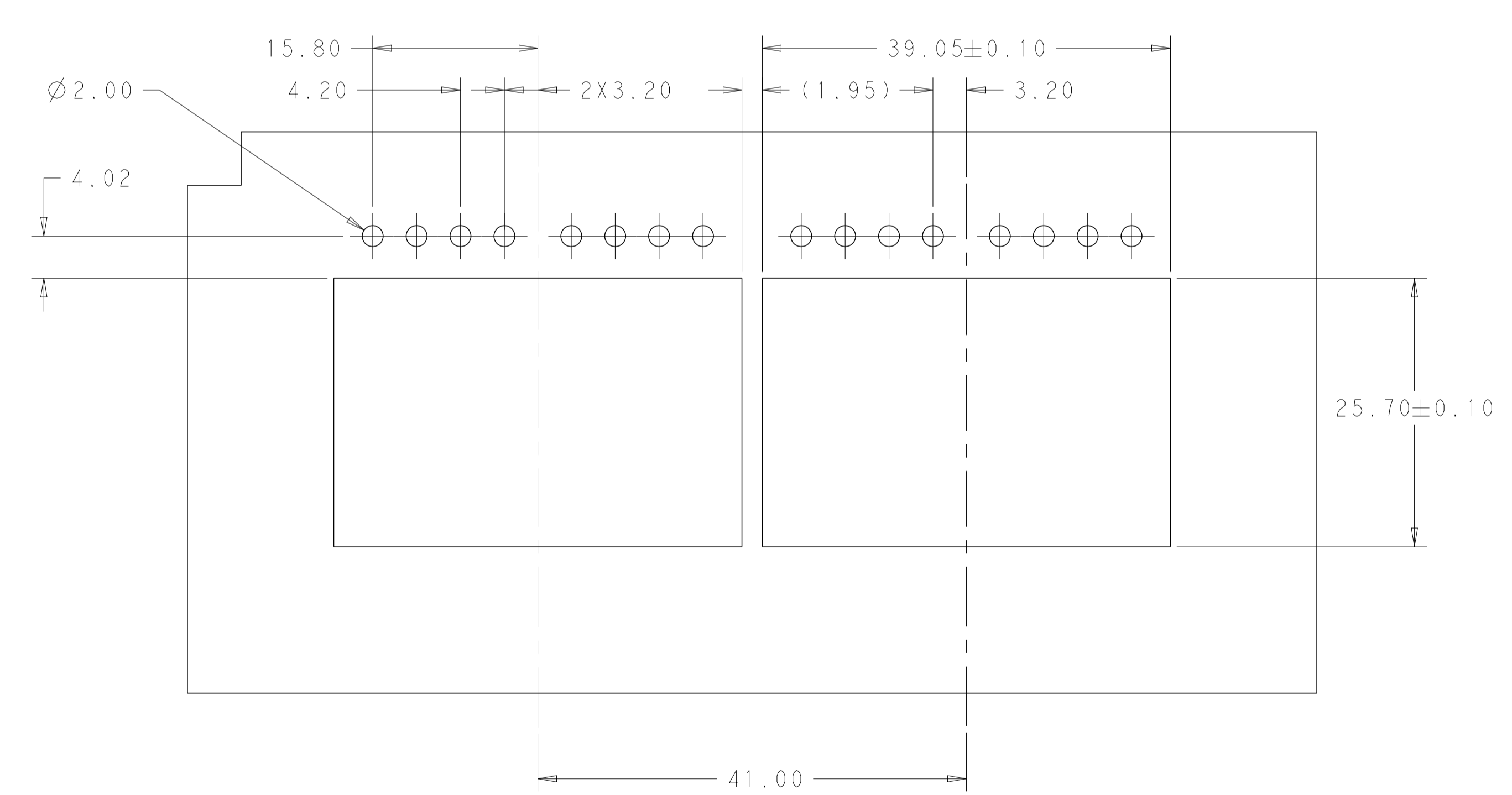
LOC	DIST	REVISIONS			
P	LTN	DESCRIPTION	DATE	DMN	APVD
-	-	SEE SHEET 1	-	-	-



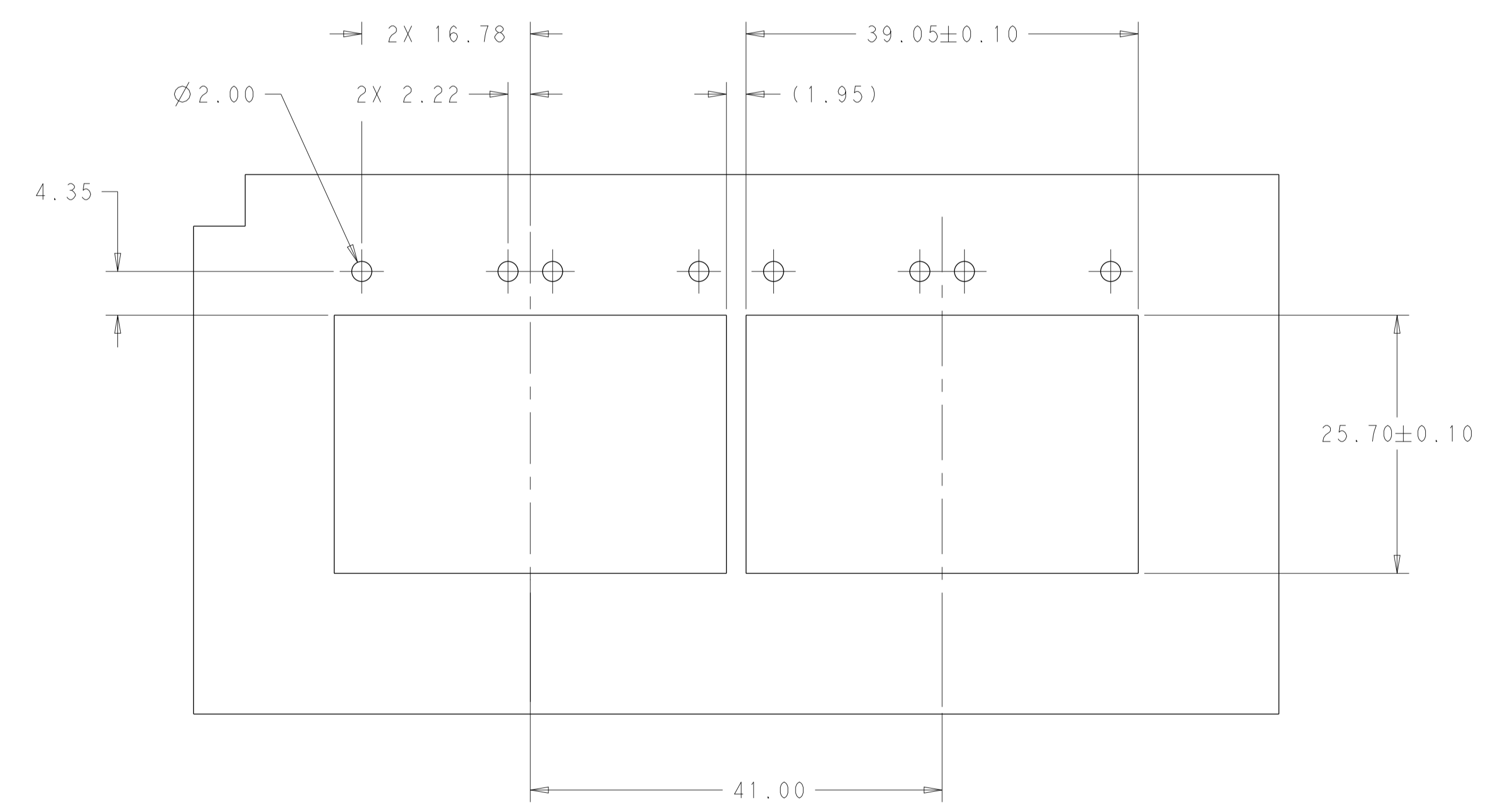
2299870-8
 1-2299870-8
 SECTION V-V
 SCALE 4:1



2-2299870-0
 SCALE 5:2



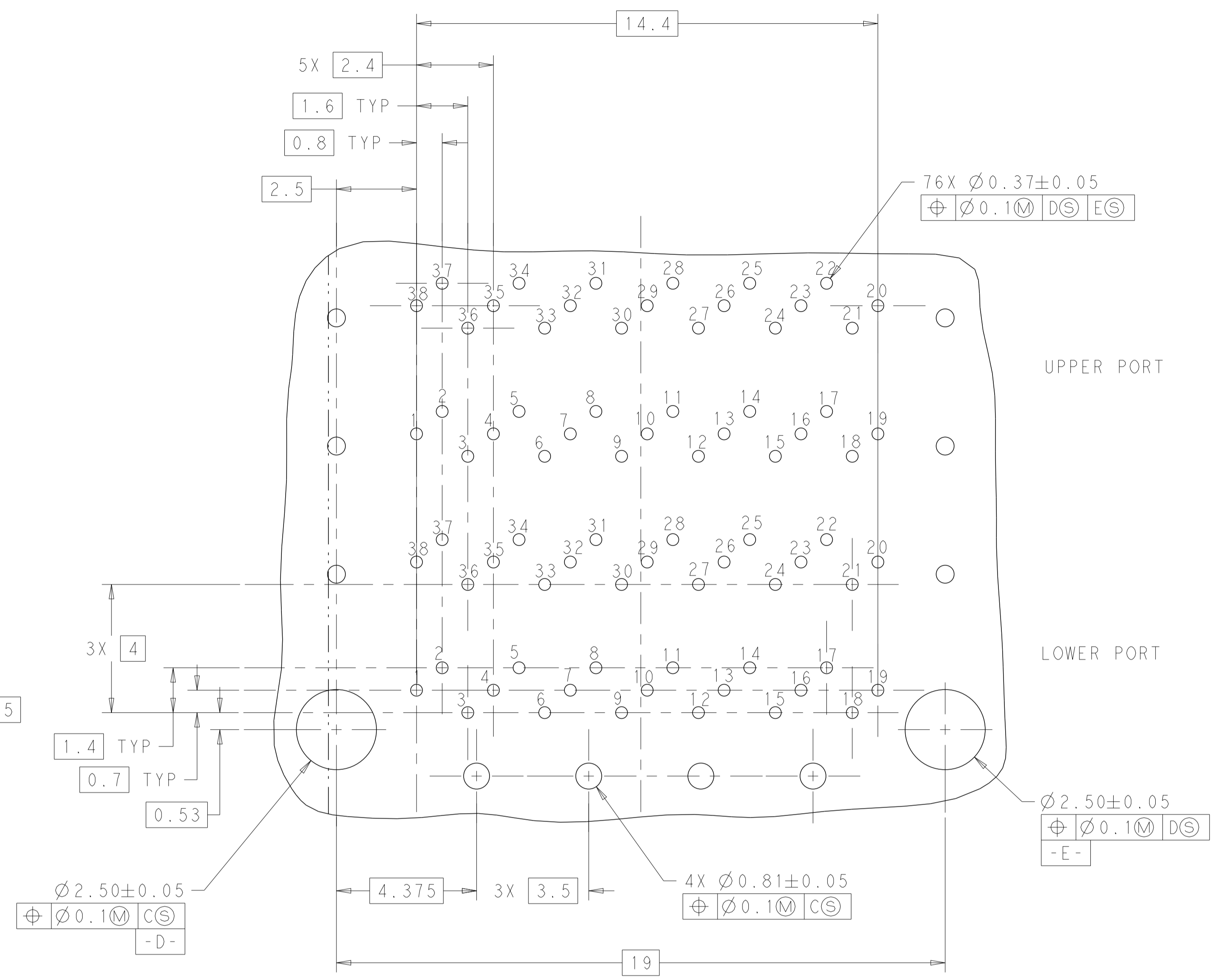
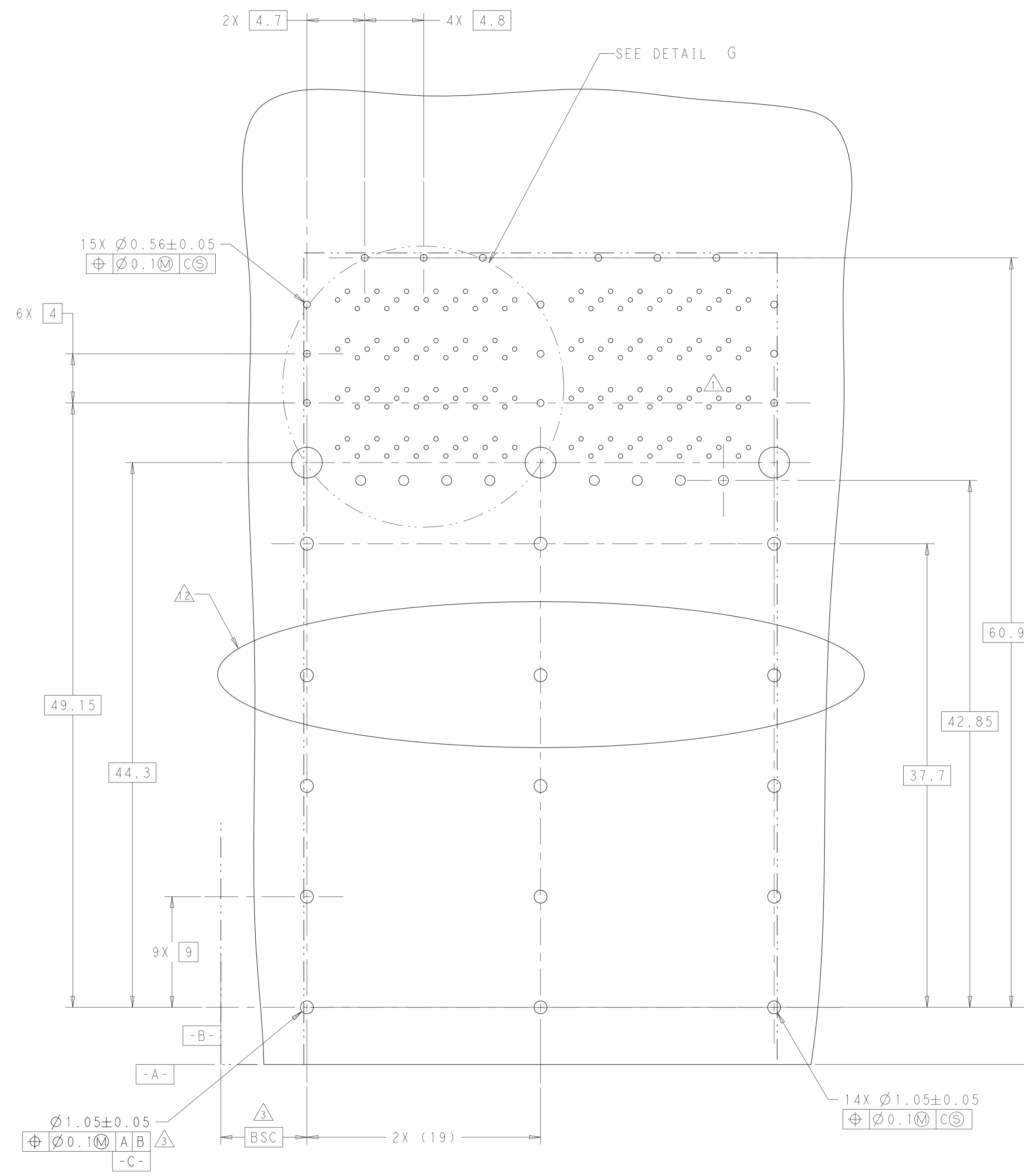
2-2299870-5
 RECOMMENDED PANEL CUTOUT
 SCALE 5:2



2299870-8
 1-2299870-0
 1-2299870-8
 2-2299870-3
 RECOMMENDED PANEL CUTOUT
 SCALE 5:2

THIS DRAWING IS A CONTROLLED DOCUMENT.		DMN	TIM XUE	28JAN2016	TE Connectivity NAME CAGE AND CONNECTOR ASSEMBLY WITH EMI SPRING FINGERS, THRU BEZEL, 2X2 ZQSPF+ STACKED WITH HS
DIMENSIONS:		CHK	SEAN HAN	28JAN2016	
mm		APVD	SEAN HAN	28JAN2016	
TOLERANCES UNLESS OTHERWISE SPECIFIED:		PRODUCT SPEC	108-60102	APPLICATION SPEC	
0 PLC	±	SIZE	114-60015	DRAWING NO	RESTRICTED TO
1 PLC	±0.25	WEIGHT	-	A100779C=2299870	-
2 PLC	±0.15	MATERIAL	SEE NOTE 1	CUSTOMER DRAWING	SCALE
3 PLC	±	FINISH	SEE NOTE 2	4:1	SHEET
4 PLC	±	ANGLES		13	OF
5 PLC	±			16	REV
ANGLES	±			K1	

LOC	DIST	REVISIONS					
GP	00	P	LTN	DESCRIPTION	DATE	OWN	APVD
-	-	-	-	SEE SHEET 1	-	-	-

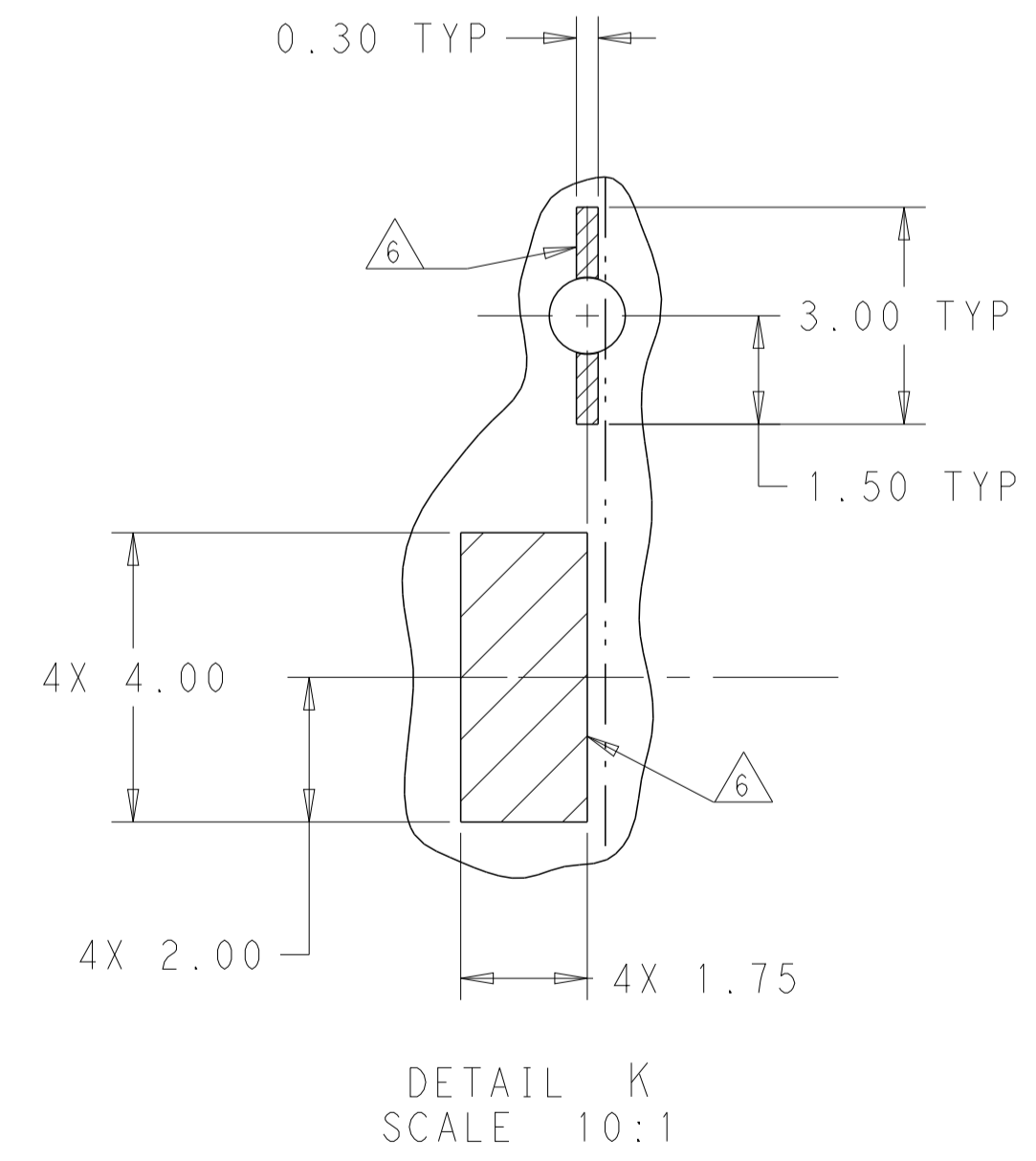
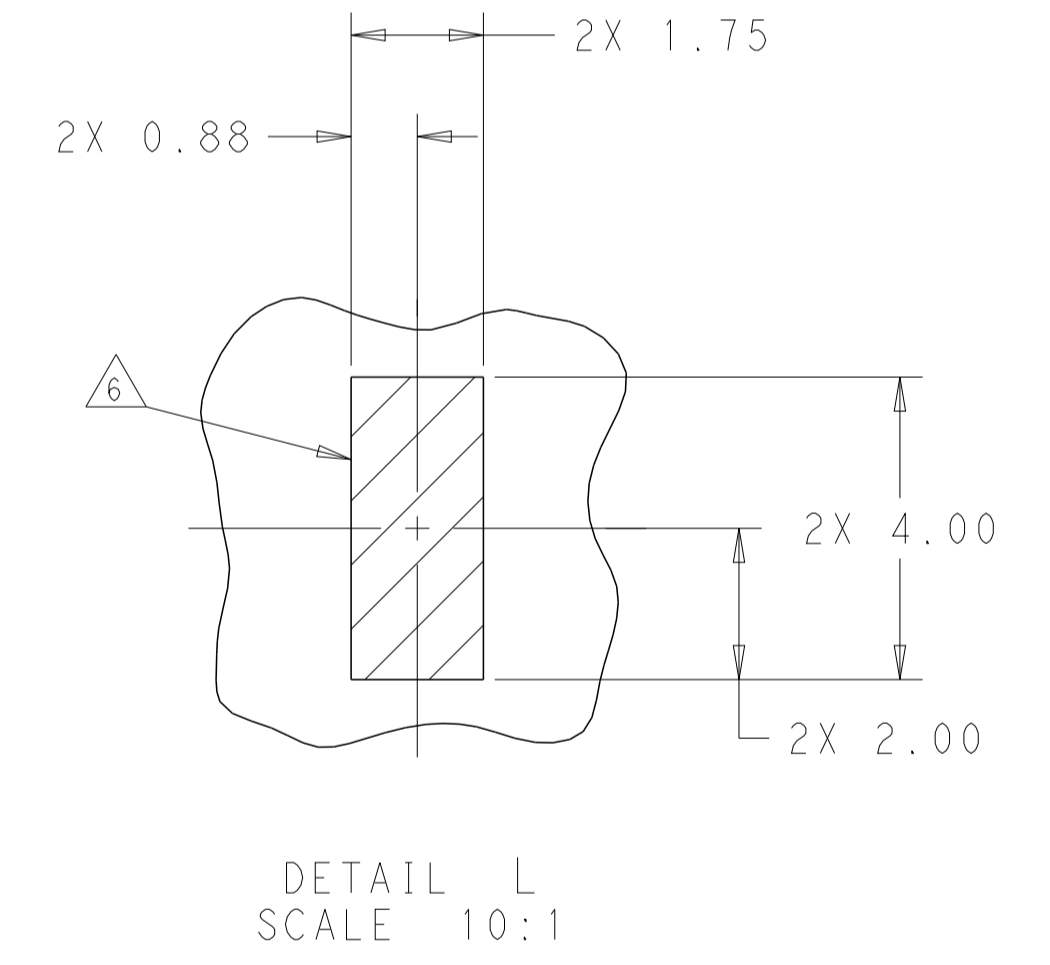
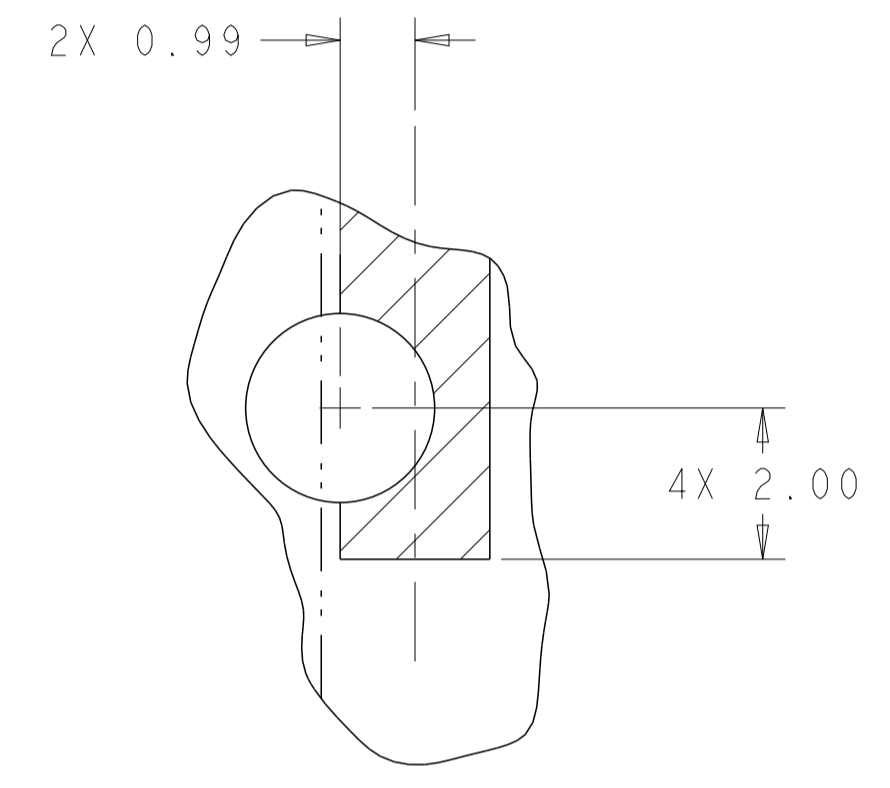
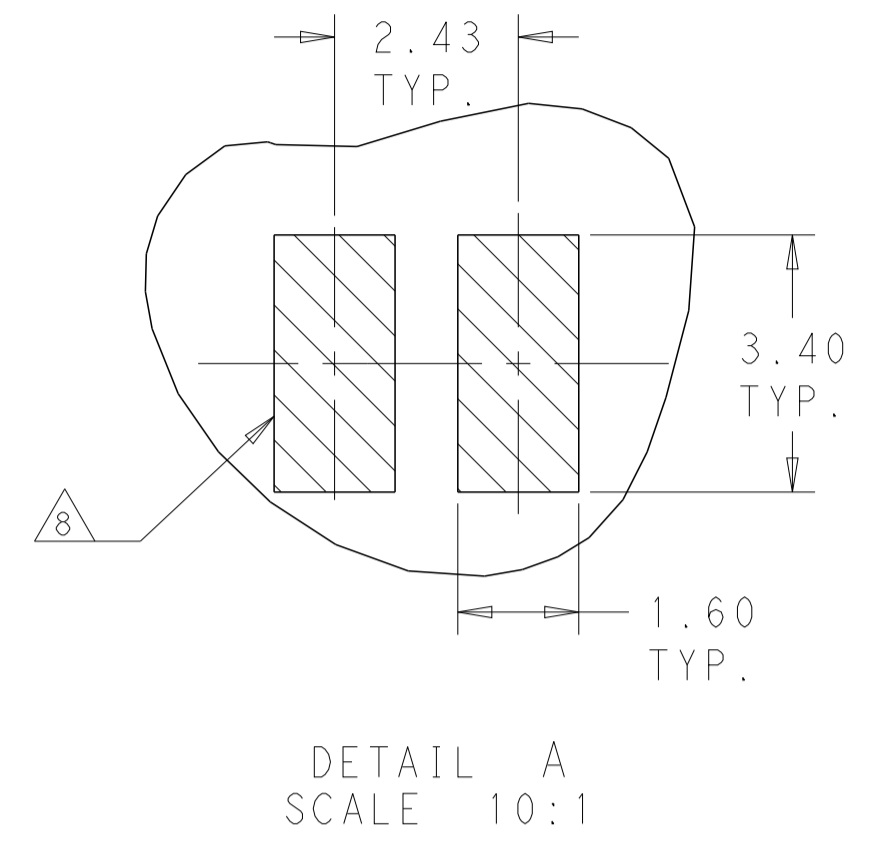
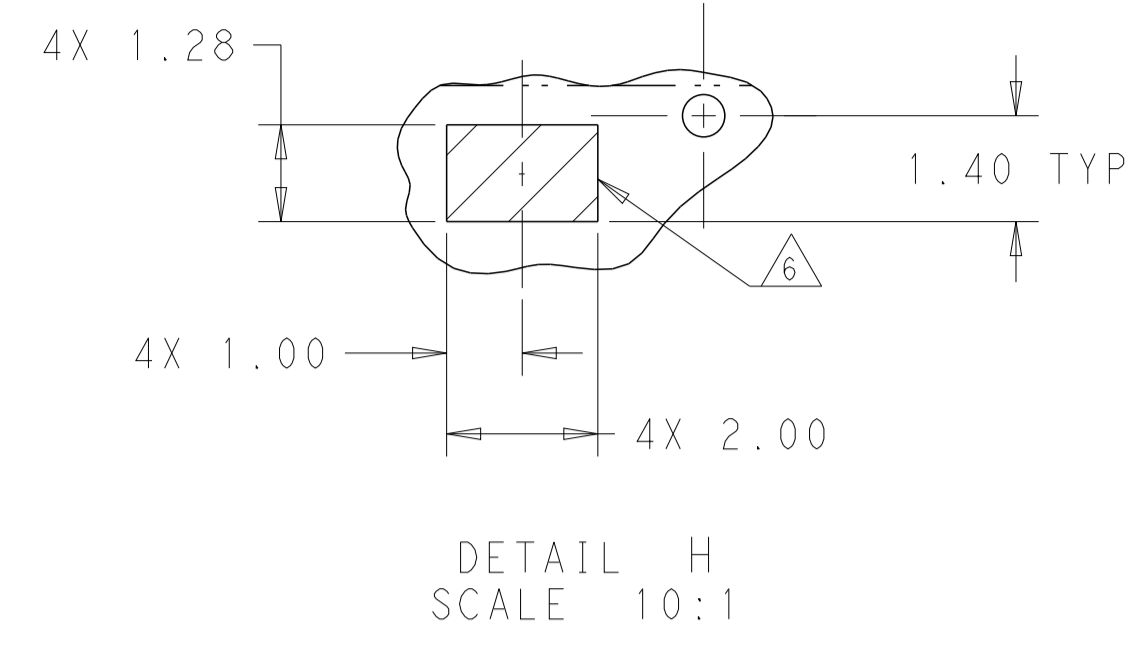
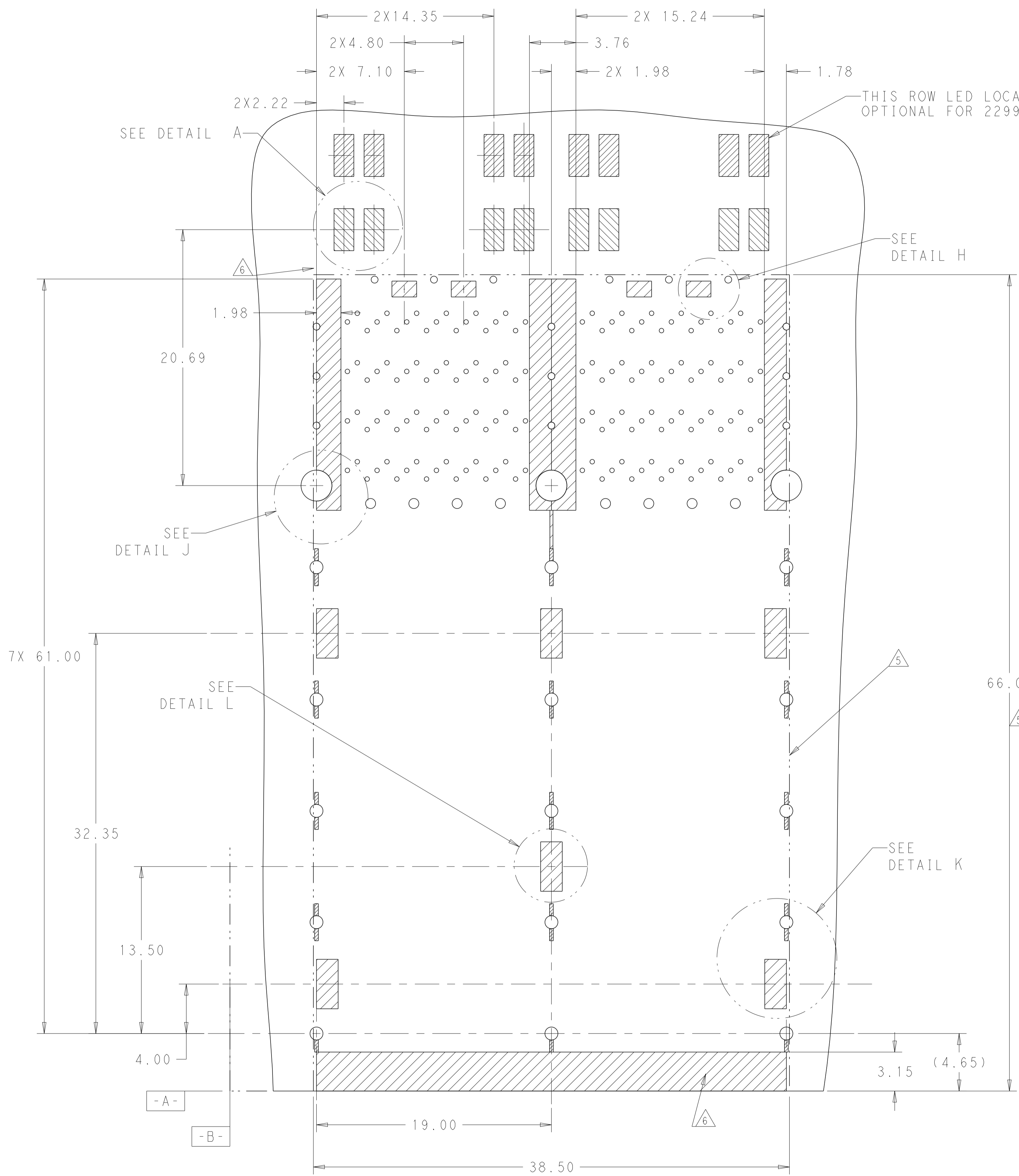


DETAIL G
SCALE 10:1

RECOMMENDED PC BOARD LAYOUT
COMPONENT SIDE OF BOARD
(PCB TOLERANCE ± 0.05)
SCALE 5:1

THIS DRAWING IS A CONTROLLED DOCUMENT.		OWN: TIM XUE 28JAN2016	TE Connectivity
DIMENSIONS: mm		CHK: SEAN HAN 28JAN2016	
TOLERANCES UNLESS OTHERWISE SPECIFIED:		APVD: SEAN HAN 28JAN2016	
0 PLC \pm 1 PLC ± 0.25 2 PLC ± 0.15 3 PLC \pm 4 PLC \pm ANGLES \pm		NAME: CAGE AND CONNECTOR ASSEMBLY WITH EMI SPRING FINGERS, THRU BEZEL, 2X2 ZQSFP+ STACKED WITH HS	
MATERIAL: SEE NOTE 1	FINISH: SEE NOTE 2	PRODUCT SPEC: 108-60102	SIZE: 114-60015
CUSTOMER DRAWING		WEIGHT: -	RESTRICTED TO: -
		SCALE: 4:1	SHEET 14 OF 16

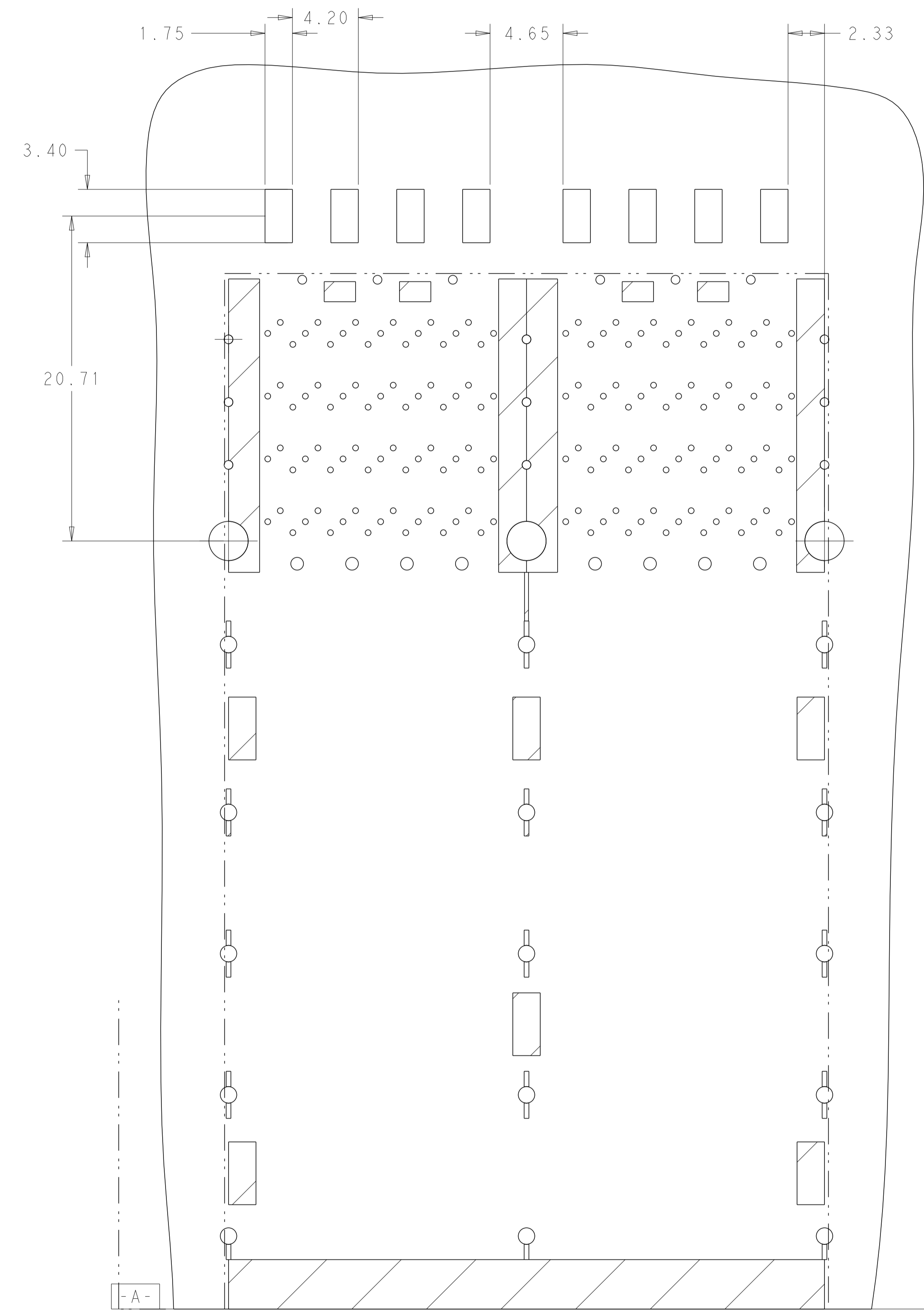
LOC	DIST	REVISIONS					
GP	00	P	LYN	DESCRIPTION	DATE	OWN	APVD
		-		SEE SHEET 1	-	-	-



KEEPOUT AREAS
 COMPONENT SIDE OF BOARD
 (PCB TOLERANCE ±0.05)
 SCALE 5:1

THIS DRAWING IS A CONTROLLED DOCUMENT.		OWN: TIM XUE 28JAN2016	TE Connectivity
DIMENSIONS: mm		CHK: SEAN HAN 28JAN2016	
TOLERANCES UNLESS OTHERWISE SPECIFIED:		APVD: SEAN HAN 28JAN2016	NAME: CAGE AND CONNECTOR ASSEMBLY WITH EMI SPRING FINGERS, THRU BEZEL, 2X2 ZQSF+ STACKED WITH HS
0 PLC ±0.25	1 PLC ±0.15	PRODUCT SPEC: 108-60102	SIZE: 114-60015
2 PLC ±0.15	3 PLC ±0.15	APPLICATION SPEC: 114-60015	RESTRICTED TO: CUSTOMER DRAWING
4 PLC ±0.15	ANGLES ±0.15	WEIGHT: -	SCALE: 4:1
MATERIAL: SEE NOTE 1	FINISH: SEE NOTE 2	A100779C=2299870	SHEET 15 OF 16

LOC	DIST	REVISIONS			
P	LTN	DESCRIPTION	DATE	DMN	APVD
-	-	SEE SHEET 1	-	-	-



RECOMMENDED 2-2299870-5 LP LOCATION
 SCALE 5:1

THIS DRAWING IS A CONTROLLED DOCUMENT.		DMN TIM XUE 28JAN2016	
DIMENSIONS: mm		CHK SEAN HAN 28JAN2016	
TOLERANCES UNLESS OTHERWISE SPECIFIED:		APVD SEAN HAN 28JAN2016	NAME CAGE AND CONNECTOR ASSEMBLY WITH EMI SPRING FINGERS, THRU BEZEL, 2X2 ZQSFP+ STACKED WITH HS
0 PLC ±	1 PLC ±0.25	PRODUCT SPEC 108-60102	SIZE A100779
2 PLC ±0.15	3 PLC ±	APPLICATION SPEC 114-60015	CAGE CODE C=2299870
4 PLC ±	ANGLES ±	FINISH	DRAWING NO 114-60015
MATERIAL SEE NOTE 1	SEE NOTE 2	WEIGHT	RESTRICTED TO CUSTOMER DRAWING
SCALE 4:1		SHEET 16 OF 16	REV K1