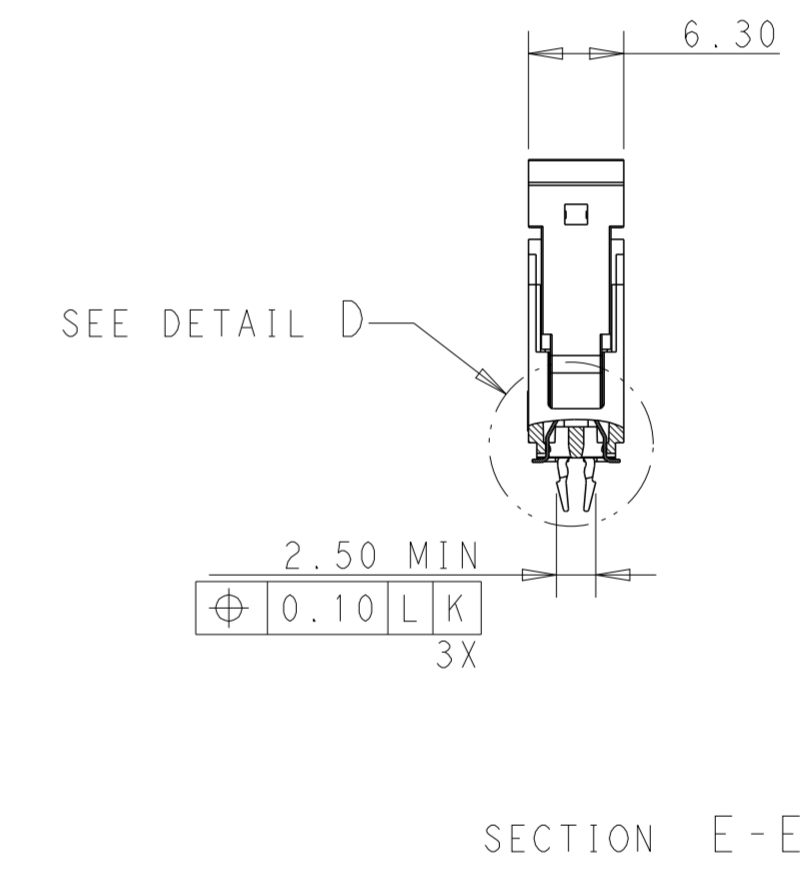
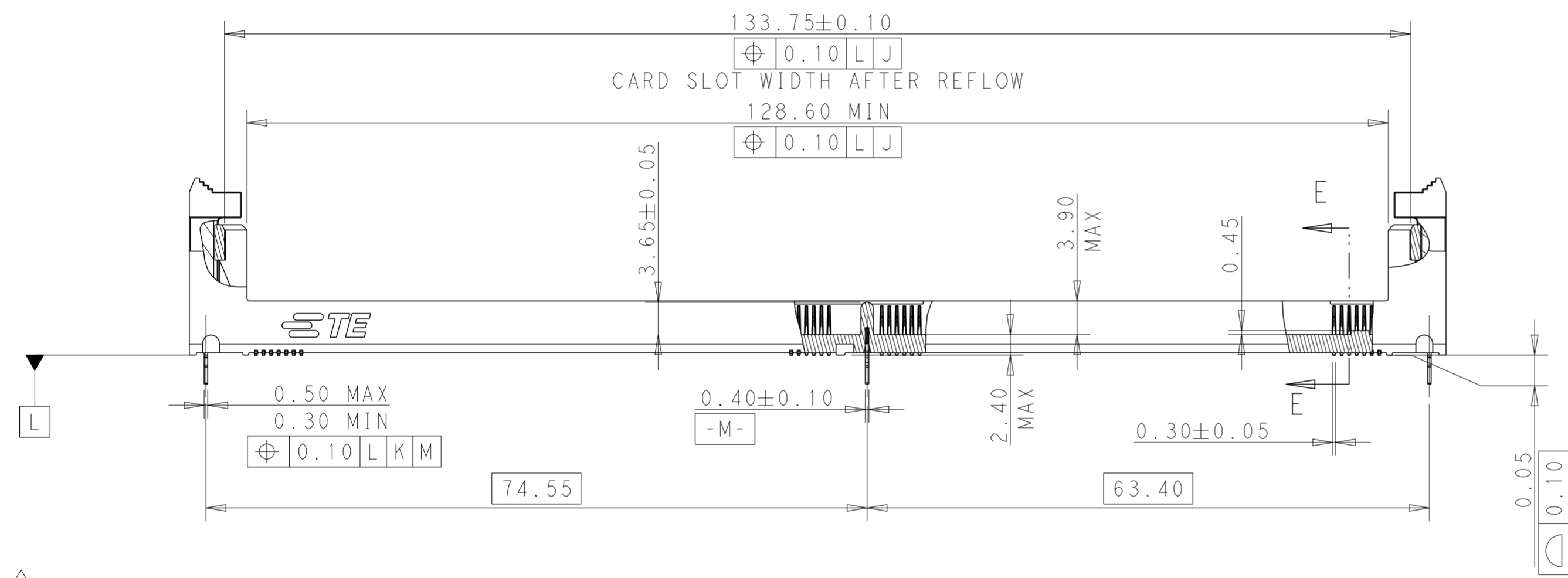
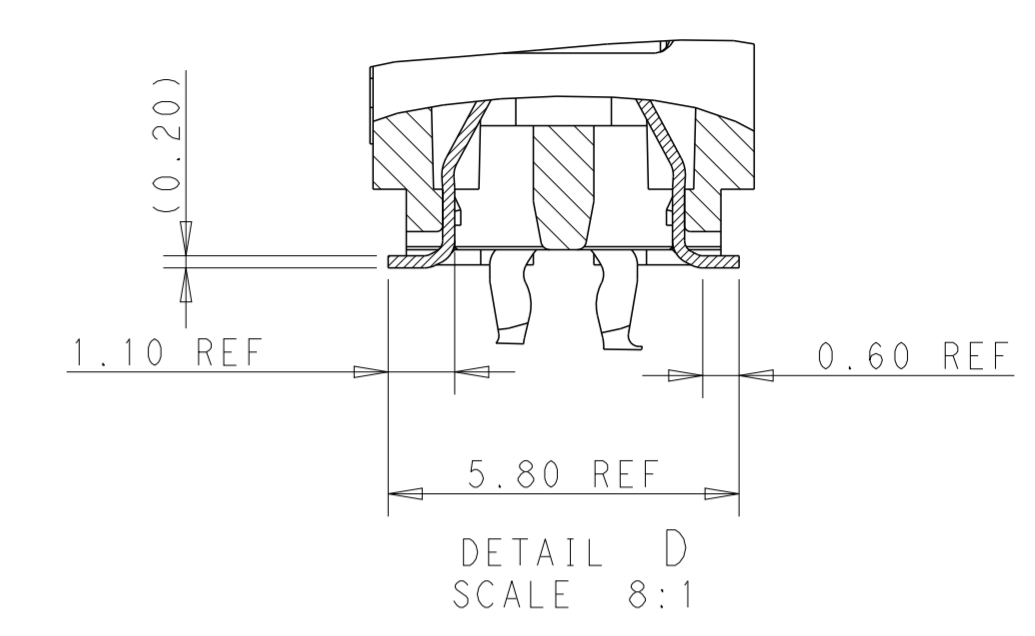
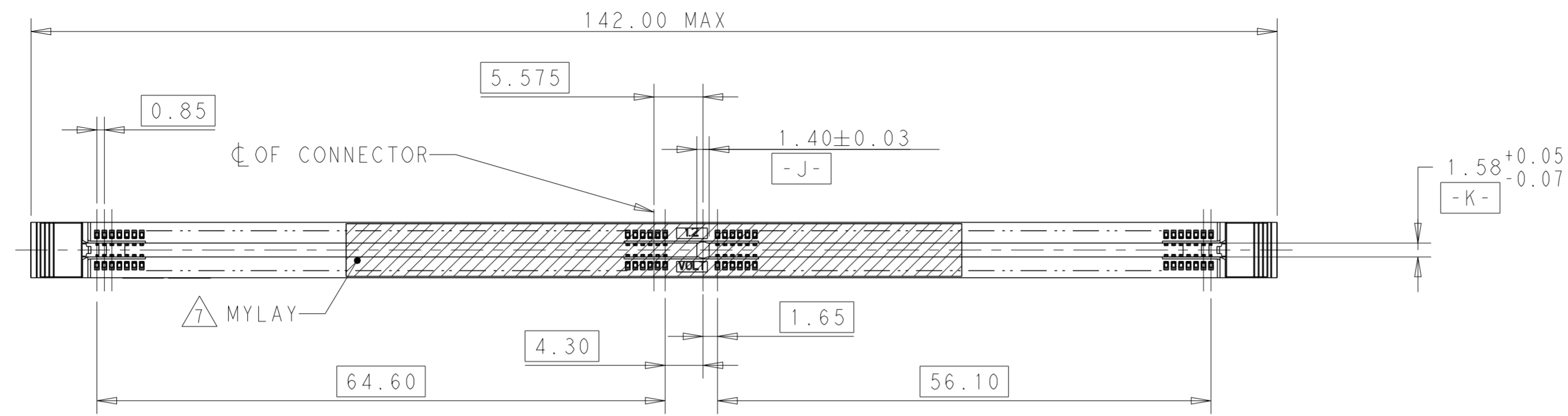


THIS DRAWING IS UNPUBLISHED. RELEASED FOR PUBLICATION 20
 © COPYRIGHT 20 TE CONNECTIVITY ALL RIGHTS RESERVED.

REVISIONS							
LOC	DIST	P	LTR	DESCRIPTION	DATE	DWN	APVD
-	-	B10		ADD NEW PN	27JUN2022	SS	-
		C		ADD NEW PNs	04AUG2022	SS	-
		C1		ECR-22-152301	13SEP2022	SS	-
		C2		CORRECT BOM IN SHEET4	19OCT2022	SS	-

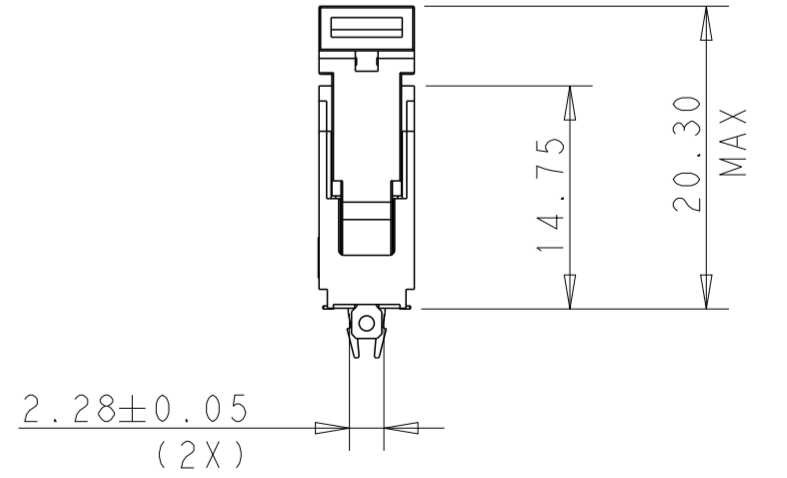
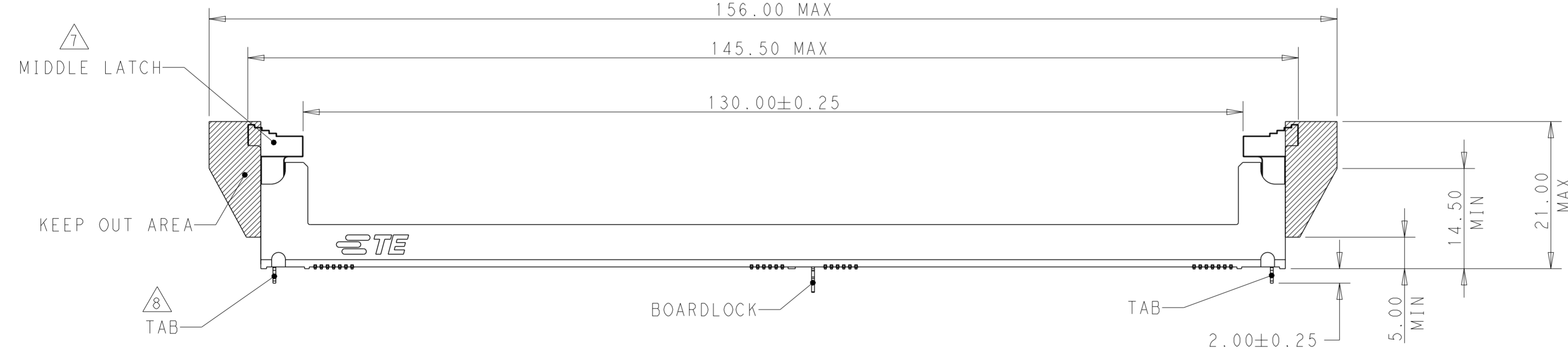
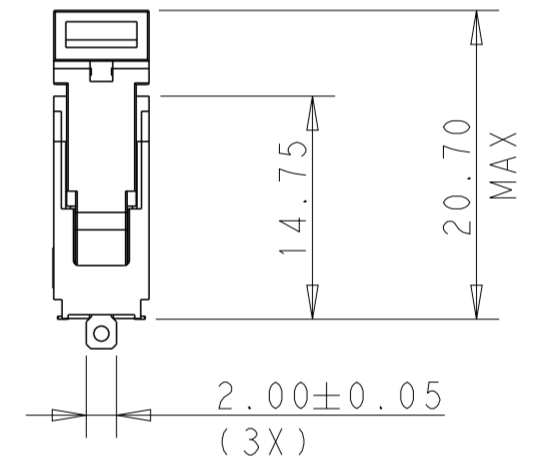
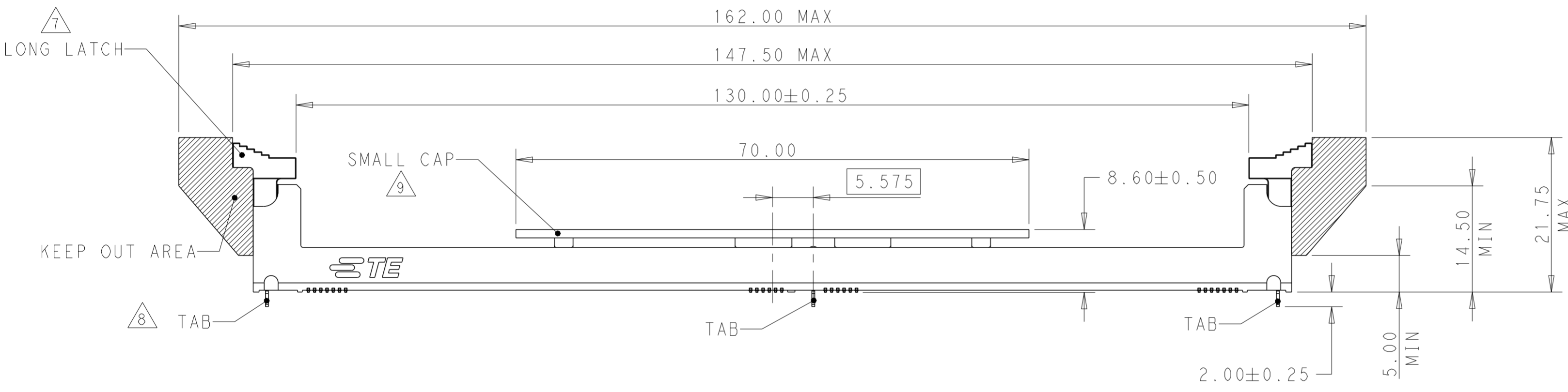
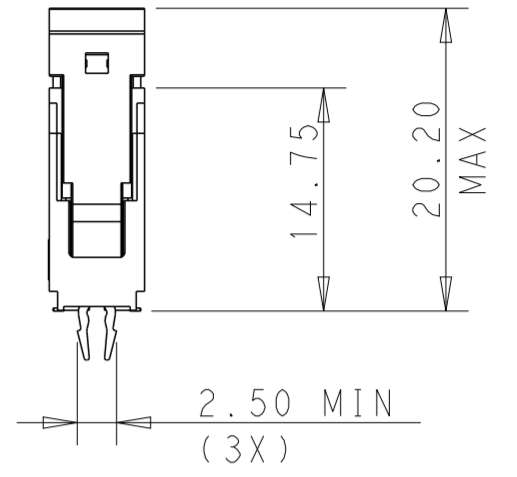
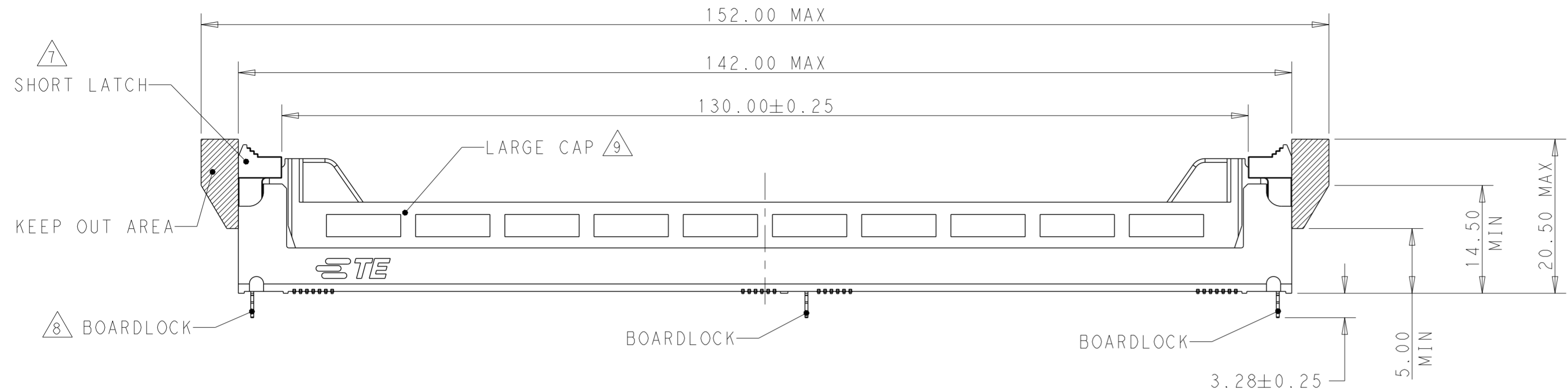


- 1 MATERIAL:
HOUSING: HIGH TEMPERATURE NYLON,UL94 V-0
LATCH: HIGH TEMPERATURE NYLON,UL94 V-0
CONTACT: COPPER ALLOY
RETENTION BARB: STAINLESS STEEL
- 2 INTERFACE FINISH:
(1) 0.00076 MIN THICK GOLD OVER 0.00127 MIN THICK NICKEL.
(2) 0.00038 MIN THICK GOLD OVER 0.00127 MIN THICK NICKEL.
(3) 0.00050 MIN THICK GOLD OVER 0.00228 MIN THICK NICKEL.
(4) 0.00045 MIN THICK GOLD OVER 0.00127 MIN THICK NICKEL.
- 3 SOLDER TAIL FINISH:
0.00300 MIN THICK MATTE TIN OVER 0.00127 MIN THICK NICKEL.
- 4 KEEP OUT ZONE.
- 5 KEEP OUT AREA RESERVED FOR SOCKET LATCHES, BOTH ENDS.
- 6 DATUM [Z] IS CONNECTOR SIDE SURFACE OF PCB.
- 7 MYLAR WITH SIZE 70X6 IS LOCATED IN THE CENTER OF CONNECTOR.
- 8 SLOT LENGTH IS INSPECTED AFTER REFLOW.

THIS DRAWING IS A CONTROLLED DOCUMENT.		DWN RICHARD MA 17JAN2014	TE Connectivity	
DIMENSIONS: mm		CHK SIMON LI 17JAN2014		
TOLERANCES UNLESS OTHERWISE SPECIFIED:		APVD COREI WANG 17JAN2014	NAME SOCKET ASSEMBLY DDR4 DIMM, SMT TYPE GENERAL 288 POSITION	
0 PLC ±		PRODUCT SPEC 108-115068	SIZE CAGE CODE DRAWING NO RESTRICTED TO	
1 PLC ±0.25		APPLICATION SPEC	A200779 C-2199155	
2 PLC ±0.15		WEIGHT	SCALE 2:1 SHEET 1 OF 14 REV C2	
3 PLC ±0.10		MATERIAL		
4 PLC ±		RESTRICTED CUSTOMER		
ANGLES ±				
FINISH				

THIS DRAWING IS UNPUBLISHED. RELEASED FOR PUBLICATION 20
 © COPYRIGHT 20 TE CONNECTIVITY ALL RIGHTS RESERVED.

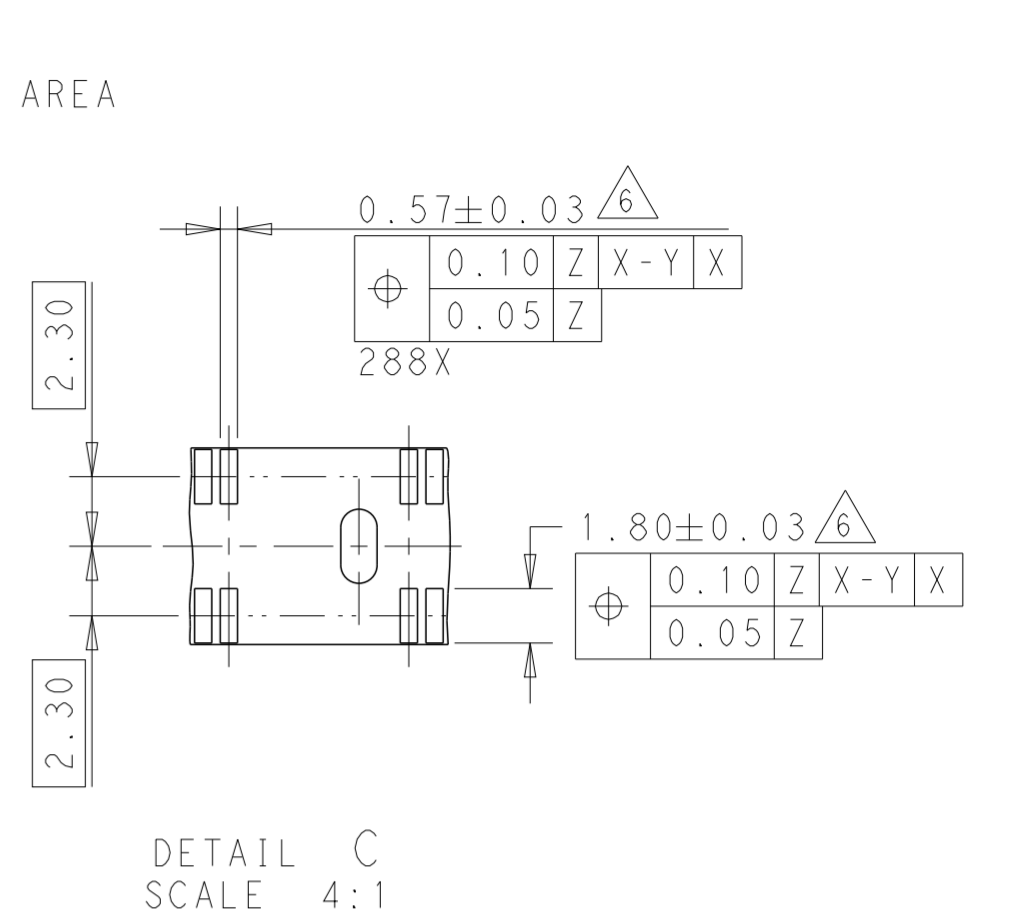
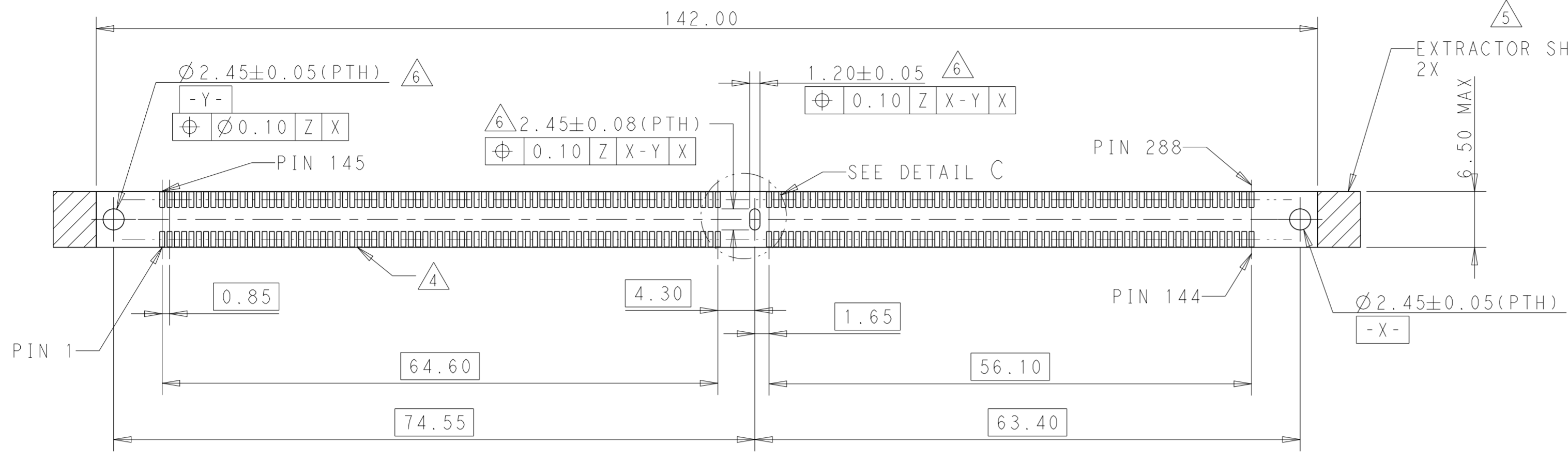
LOC		DIST		REVISIONS			
P	LTR	DESCRIPTION	DATE	DWN	APVD		
-	-						



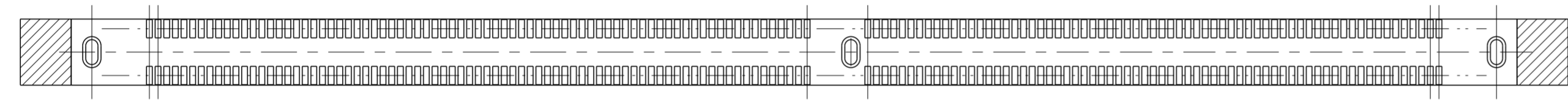
- ⑦ SHORT, LONG AND MIDDLE LATCH ARE OPTIONAL FOR DIFFERENT KEEPOUT APPLICATION.
- ⑧ BOARDLOCK AND TAB ARE OPTIONAL FOR DIFFERENT APPLICATION.
- ⑨ MYLAR AND LARGE CAP & SMALL CAP ARE OPTIONAL FOR DIFFERENT APPLICATION.

THIS DRAWING IS A CONTROLLED DOCUMENT.		DWN RICHARD MA 17JAN2014	STE TE Connectivity	
DIMENSIONS: mm		CHK SIMON LI 17JAN2014		
TOLERANCES UNLESS OTHERWISE SPECIFIED:		APVD COREI WANG 17JAN2014	NAME SOCKET ASSEMBLY	
0 PLC ±0.25		PRODUCT SPEC 108-115068	DDR4 DIMM, SMT TYPE GENERAL	
1 PLC ±0.15		APPLICATION SPEC	288 POSITION	
2 PLC ±0.10		WEIGHT	SIZE A2	CAGE CODE 00779
3 PLC ±0.10		RESTRICTED CUSTOMER	DRAWING NO C-2199155	RESTRICTED TO
4 PLC ANGLES FINISH			SCALE 3:1	SHEET 2 OF 14
				REV C2

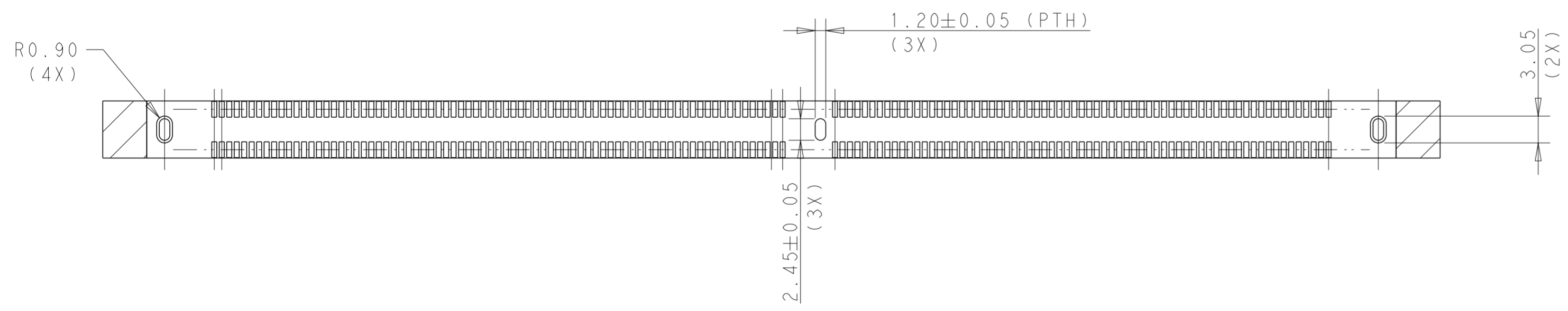
LOC		DIST		REVISIONS			
P	LTR	DESCRIPTION	DATE	DWN	APVD		
-	-						



RECOMMENDED PCB LAYOUT FOR 3 BOARDLOCKS
VIEWED FROM CONNECTOR SIDE



RECOMMENDED PCB LAYOUT FOR 3 TABS



RECOMMENDED PCB LAYOUT FOR 2 SIDE TABS

1. DATUM Z IS THE TOP SIZE OF PCB.
2. HOLD DOWN HOLE SHOULD BE PLATED THROUGH HOLE.

THIS DRAWING IS A CONTROLLED DOCUMENT.		DWN RICHARD MA 17JAN2014	STE TE Connectivity	
		CHK SIMON LI 17JAN2014		
DIMENSIONS: mm		APVD COREI WANG 17JAN2014	NAME SOCKET ASSEMBLY	
TOLERANCES UNLESS OTHERWISE SPECIFIED:		PRODUCT SPEC 108-115068	DDR4 DIMM, SMT TYPE GENERAL	
0 PLC ±		APPLICATION SPEC -	288 POSITION	
1 PLC ±0.25		SIZE A2	CAGE CODE 00779	DRAWING NO C-2199155
2 PLC ±0.15		RESTRICTED TO	SCALE 1:1	SHEET 3 OF 14
3 PLC ±0.10		RESTRICTED CUSTOMER	REV C2	
4 PLC ±				
ANGLES ±				
FINISH				


THIS DRAWING IS UNPUBLISHED. RELEASED FOR PUBLICATION 20
 © COPYRIGHT 20 TE CONNECTIVITY ALL RIGHTS RESERVED.

LOC		DIST		REVISIONS			
P	LTR	DESCRIPTION	DATE	DWN	APVD		
-	-						

SHORT LATCH TYPE

TYPE VI	NO MYLAR	SHORT LATCH	3 BOARDLOCK	NATURAL	BLACK	0.00076 MIN	4-2368060-8
TYPE VI	NO MYLAR	SHORT LATCH	3 BOARDLOCK	NATURAL	BLUE	0.00076 MIN	4-2368060-9
TYPE V	NO MYLAR	SHORT LATCH	3 TAB	NATURAL	BLACK	0.00038 MIN	2368060-4
TYPE V	NO MYLAR	SHORT LATCH	3 TAB	BLACK	BLACK	0.00038 MIN	2368060-3
TYPE I	MYLAR	SHORT LATCH	3 TAB	NATURAL	YELLOW	0.00038 MIN	9-2199155-3
TYPE I	MYLAR	SHORT LATCH	3 TAB	NATURAL	BLACK	0.00076 MIN	9-2199155-2
TYPE I	MYLAR	SHORT LATCH	3 TAB	NATURAL	BLACK	0.00038 MIN	9-2199155-1
TYPE I	MYLAR	SHORT LATCH	3 BOARDLOCK	BLUE	BLUE	0.00076 MIN	6-2199155-9
TYPE I	NO MYLAR	SHORT LATCH	3 BOARDLOCK	NATURAL	BLACK	0.00076 MIN	6-2199155-8
TYPE I	NO MYLAR	SHORT LATCH	3 BOARDLOCK	BLACK	BLACK	0.00076 MIN	6-2199155-4
TYPE I	MYLAR	SHORT LATCH	3 BOARDLOCK	NATURAL	BLUE	0.00038 MIN	5-2199155-0
TYPE I	MYLAR	SHORT LATCH	3 BOARDLOCK	BLACK	NATURAL	0.00076 MIN	4-2199155-8
TYPE I	NO MYLAR	SHORT LATCH	3 BOARDLOCK	NATURAL	NATURAL	0.00076 MIN	4-2199155-7
TYPE I	MYLAR	SHORT LATCH	3 TAB	NATURAL	NATURAL	0.00076 MIN	4-2199155-6
TYPE I	MYLAR	SHORT LATCH	3 TAB	BLACK	BLACK	0.00076 MIN	4-2199155-5
TYPE III	NO MYLAR	SHORT LATCH	3 TAB	NATURAL	BLACK	0.00038 MIN	3-2199155-4
TYPE III	NO MYLAR	SHORT LATCH	3 TAB	BLACK	BLACK	0.00038 MIN	3-2199155-3
TYPE I	MYLAR	SHORT LATCH	3 TAB	BLACK	BLACK	0.00038 MIN	3-2199155-2
TYPE I	MYLAR	SHORT LATCH	3 BOARDLOCK	NATURAL	BLUE	0.00076 MIN	1-2199155-3
TYPE I	MYLAR	SHORT LATCH	3 BOARDLOCK	GREEN	BLACK	0.00076 MIN	2199155-7
TYPE I	MYLAR	SHORT LATCH	3 BOARDLOCK	NATURAL	NATURAL	0.00076 MIN	2199155-6
TYPE I	MYLAR	SHORT LATCH	3 TAB	NATURAL	BLUE	0.00076 MIN	2199155-5
TYPE I	MYLAR	SHORT LATCH	3 BOARDLOCK	BLACK	BLACK	0.00076 MIN	2199155-4
TYPE I	MYLAR	SHORT LATCH	3 BOARDLOCK	BLACK	BLACK	0.00038 MIN	2199155-3
TYPE I	MYLAR	SHORT LATCH	3 BOARDLOCK	NATURAL	BLACK	0.00076 MIN	2199155-2
TYPE I	MYLAR	SHORT LATCH	3 BOARDLOCK	NATURAL	BLACK	0.00038 MIN	2199155-1
PACKAGE TYPE	PICK-UP TYPE	LATCH TYPE	HOUSING HOLD DOWN	LATCH COLOR	HOUSING COLOR	CONTACT GOLD INTERFACE	PART NUMBER

THIS DRAWING IS A CONTROLLED DOCUMENT.

DWN RICHARD MA 17 JAN 2014	 TE Connectivity
CHK SIMON LI 17 JAN 2014	
APVD COREI WANG 17 JAN 2014	
PRODUCT SPEC 108-115068	
APPLICATION SPEC	NAME SOCKET ASSEMBLY DDR4 DIMM, SMT TYPE GENERAL 288 POSITION
MATERIAL	SIZE A2 CAGE CODE 00779 DRAWING NO C-2199155 RESTRICTED TO
WEIGHT	SCALE 1:1 SHEET 4 OF 14 REV C2
RESTRICTED CUSTOMER	


THIS DRAWING IS UNPUBLISHED. RELEASED FOR PUBLICATION 20
 © COPYRIGHT 20 TE CONNECTIVITY ALL RIGHTS RESERVED.

LOC		DIST		REVISIONS			
P	LTR	DESCRIPTION	DATE	DWN	APVD		
-	-						

LONG LATCH TYPE

TYPE VI	NO MYLAR	LONG LATCH	3 BOARDLOCK	NATURAL	BLUE	0.00076 MIN	1-2368060-9
TYPE VI	NO MYLAR	LONG LATCH	3 BOARDLOCK	NATURAL	BLACK	0.00076 MIN	1-2368060-8
TYPE I	MYLAR	LONG LATCH	3 TAB	BLACK	BLACK	0.00076 MIN	9-2199155-9
TYPE I	MYLAR	LONG LATCH	3 TAB	NATURAL	BLACK	0.00076 MIN	9-2199155-6
TYPE I	MYLAR	LONG LATCH	3 TAB	NATURAL	BLACK	0.00038 MIN	9-2199155-4
TYPE I	MYLAR	LONG LATCH	3 BOARDLOCK	BLACK	BLACK	0.00038 MIN	9-2199155-0
TYPE I	NO MYLAR	LONG LATCH	3 TAB	NATURAL	BLUE	0.00038 MIN	8-2199155-9
TYPE I	NO MYLAR	LONG LATCH	3 TAB	NATURAL	BLACK	0.00038 MIN	8-2199155-8
TYPE I	MYLAR	LONG LATCH	3 TAB	NATURAL	BLUE	0.00076 MIN	8-2199155-5
TYPE I	MYLAR	LONG LATCH	3 BOARDLOCK	NATURAL	NATURAL	0.00038 MIN	8-2199155-4
TYPE I	MYLAR	LONG LATCH	3 BOARDLOCK	BLUE	BLUE	0.00038 MIN	8-2199155-3
TYPE I	MYLAR	LONG LATCH	3 TAB	BLUE	BLUE	0.00076 MIN	8-2199155-2
TYPE I	NO MYLAR	LONG LATCH	3 BOARDLOCK	BLACK	BLACK	0.00076 MIN	7-2199155-8
TYPE II	MYLAR	LONG LATCH	2TAB+1BOARDLOCK	NATURAL	NATURAL	0.00038 MIN	7-2199155-7
TYPE II	MYLAR	LONG LATCH	2TAB+1BOARDLOCK	BLACK	BLACK	0.00038 MIN	7-2199155-6
TYPE I	NO MYLAR	LONG LATCH	3 BOARDLOCK	BLUE	BLUE	0.00076 MIN	7-2199155-5
TYPE I	NO MYLAR	LONG LATCH	3 BOARDLOCK	BLUE	BLUE	0.00038 MIN	7-2199155-4
TYPE I	NO MYLAR	LONG LATCH	3 BOARDLOCK	BLACK	BLACK	0.00038 MIN	7-2199155-3
TYPE I	MYLAR	LONG LATCH	3 BOARDLOCK	BLACK	BLACK	0.00076 MIN	7-2199155-2
TYPE I	MYLAR	LONG LATCH	3 BOARDLOCK	NATURAL	BLUE	0.00045 MIN	7-2199155-1
TYPE I	MYLAR	LONG LATCH	3 BOARDLOCK	NATURAL	BLACK	0.00045 MIN	7-2199155-0
TYPE I	MYLAR	LONG LATCH	3 TAB	GREEN	YELLOW	0.00038 MIN	6-2199155-7
TYPE I	MYLAR	LONG LATCH	3 TAB	GREEN	BLACK	0.00038 MIN	6-2199155-6
TYPE I	MYLAR	LONG LATCH	3 TAB	NATURAL	YELLOW	0.00038 MIN	6-2199155-5
TYPE I	NO MYLAR	LONG LATCH	3 BOARDLOCK	NATURAL	YELLOW	0.00038 MIN	6-2199155-3
TYPE I	MYLAR	LONG LATCH	3 BOARDLOCK	BLUE	BLUE	0.00076 MIN	4-2199155-9
TYPE I	MYLAR	LONG LATCH	3 BOARDLOCK	NATURAL	NATURAL	0.00076 MIN	2-2199155-3
TYPE I	MYLAR	LONG LATCH	3 TAB	NATURAL	NATURAL	0.00076 MIN	2-2199155-2
TYPE VI	NO MYLAR	LONG LATCH	3 BOARDLOCK	NATURAL	BLUE	0.00076 MIN	1-2199155-9
TYPE VI	NO MYLAR	LONG LATCH	3 BOARDLOCK	NATURAL	BLACK	0.00076 MIN	1-2199155-8
TYPE I	MYLAR	LONG LATCH	3 TAB	BLACK	BLACK	0.00038 MIN	1-2199155-6
TYPE I	MYLAR	LONG LATCH	3 TAB	NATURAL	BLUE	0.00038 MIN	1-2199155-5
PACKAGE TYPE	PICK-UP TYPE	LATCH TYPE	HOUSING HOLD DOWN	LATCH COLOR	HOUSING COLOR	CONTACT GOLD INTERFACE	PART NUMBER

THIS DRAWING IS A CONTROLLED DOCUMENT.

DWN RICHARD MA 17 JAN 2014	 TE Connectivity			
CHK SIMON LI 17 JAN 2014				
APVD COREI WANG 17 JAN 2014				
NAME SOCKET ASSEMBLY DDR4 DIMM, SMT TYPE GENERAL 288 POSITION				
PRODUCT SPEC 108-115068	SIZE A2	CAGE CODE 00779	DRAWING NO C-2199155	RESTRICTED TO
APPLICATION SPEC	WEIGHT -	SCALE 1:1	SHEET 5 OF 14	REV C2
MATERIAL -	RESTRICTED CUSTOMER			


THIS DRAWING IS UNPUBLISHED. RELEASED FOR PUBLICATION 20
 © COPYRIGHT 20 TE CONNECTIVITY ALL RIGHTS RESERVED.

LOC		DIST		REVISIONS			
P	LTR	DESCRIPTION	DATE	DWN	APVD		
-	-						

MIDDLE LATCH TYPE

TYPE IV	NO MYLAR	MIDDLE LATCH	3 TAB	NATURAL	NATURAL	0.00038 MIN	6-2368060-2
TYPE IV	NO MYLAR	MIDDLE LATCH	3 TAB	BLACK	BLACK	0.00038 MIN	6-2368060-1
TYPE I	CAP	MIDDLE LATCH	3 TAB	NATURAL	BLUE	0.00038 MIN	2-2199155-8
TYPE I	CAP	MIDDLE LATCH	3 TAB	NATURAL	BLACK	0.00038 MIN	2-2199155-7
TYPE I	NO MYLAR	MIDDLE LATCH	3 BOARDLOCK	NATURAL	BLACK	0.00045 MIN	2368060-9
TYPE VI	NO MYLAR	MIDDLE LATCH	3 BOARDLOCK	NATURAL	BLACK	0.00038 MIN	5-2368060-8
TYPE VI	NO MYLAR	MIDDLE LATCH	3 BOARDLOCK	NATURAL	YELLOW	0.00038 MIN	5-2368060-7
TYPE I	MYLAR	MIDDLE LATCH	3 TAB	NATURAL	BLACK	0.00076 MIN	2368060-6
TYPE I	MYLAR	MIDDLE LATCH	3 TAB	BLACK	BLACK	0.00076 MIN	2368060-5
TYPE I	MYLAR	MIDDLE LATCH	3 BOARDLOCK	NATURAL	YELLOW	0.00038 MIN	2368060-2
TYPE I	MYLAR	MIDDLE LATCH	3 BOARDLOCK	NATURAL	BLACK	0.00038 MIN	2368060-1
TYPE I	MYLAR	MIDDLE LATCH	3 TAB	NATURAL	NATURAL	0.00076 MIN	6-2199155-2
TYPE I	MYLAR	MIDDLE LATCH	3 TAB	BLACK	BLACK	0.00076 MIN	6-2199155-1
TYPE I	MYLAR	MIDDLE LATCH	2TAB+1BOARDLOCK	NATURAL	BLACK	0.00038 MIN	6-2199155-0
TYPE I	MYLAR	MIDDLE LATCH	2TAB+1BOARDLOCK	NATURAL	BLUE	0.00038 MIN	5-2199155-9
TYPE I	NO MYLAR	MIDDLE LATCH	3 BOARDLOCK	NATURAL	BLACK	0.00038 MIN	5-2199155-8
TYPE I	NO MYLAR	MIDDLE LATCH	3 BOARDLOCK	NATURAL	YELLOW	0.00038 MIN	5-2199155-7
TYPE I	MYLAR	MIDDLE LATCH	3 BOARDLOCK	BLACK	BLACK	0.00076 MIN	5-2199155-4
TYPE I	MYLAR	MIDDLE LATCH	3 BOARDLOCK	NATURAL	BLACK	0.00076 MIN	5-2199155-3
TYPE IV	LARGE CAP	MIDDLE LATCH	3 TAB	NATURAL	BLACK	0.00038 MIN	3-2199155-7
TYPE IV	LARGE CAP	MIDDLE LATCH	3 TAB	BLACK	BLACK	0.00038 MIN	3-2199155-6
TYPE I	NO MYLAR	MIDDLE LATCH	3 TAB	BLACK	BLACK	0.00076 MIN	2-2199155-6
TYPE I	NO MYLAR	MIDDLE LATCH	3 TAB	NATURAL	NATURAL	0.00076 MIN	2-2199155-5
TYPE III	SMALL CAP	MIDDLE LATCH	3 TAB	NATURAL	BLACK	0.00038 MIN	2-2199155-1
TYPE III	SMALL CAP	MIDDLE LATCH	3 TAB	BLACK	BLACK	0.00038 MIN	2-2199155-0
TYPE I	MYLAR	MIDDLE LATCH	3 TAB	NATURAL	BLACK	0.00076 MIN	1-2199155-7
TYPE I	NO MYLAR	MIDDLE LATCH	3 BOARDLOCK	NATURAL	BLUE	0.00045 MIN	1-2199155-4
TYPE I	NO MYLAR	MIDDLE LATCH	3 TAB	BLACK	BLUE	0.00076 MIN	1-2199155-0
PACKAGE TYPE	PICK-UP TYPE	LATCH TYPE	HOUSING HOLD DOWN	LATCH COLOR	HOUSING COLOR	CONTACT GOLD INTERFACE	PART NUMBER

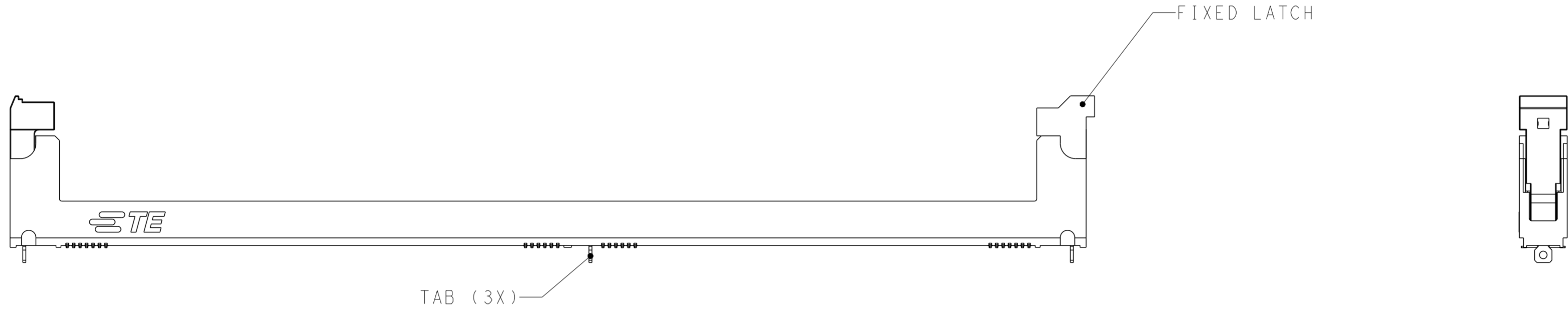
THIS DRAWING IS A CONTROLLED DOCUMENT.

DWN RICHARD MA 17 JAN 2014	 TE Connectivity																									
CHK SIMON LI 17 JAN 2014																										
APVD COREI WANG 17 JAN 2014																										
NAME SOCKET ASSEMBLY DDR4 DIMM, SMT TYPE GENERAL 288 POSITION																										
DIMENSIONS: mm	TOLERANCES UNLESS OTHERWISE SPECIFIED:	PRODUCT SPEC 108-115068	SIZE A2	CAGE CODE 00779	DRAWING NO C-2199155	RESTRICTED TO																				
<table border="1"> <tr><td>0 PLC</td><td>±</td></tr> <tr><td>1 PLC</td><td>±0.25</td></tr> <tr><td>2 PLC</td><td>±0.15</td></tr> <tr><td>3 PLC</td><td>±0.10</td></tr> <tr><td>4 PLC</td><td>±</td></tr> <tr><td>ANGLES</td><td>±</td></tr> <tr><td>FINISH</td><td>±</td></tr> </table>	0 PLC	±	1 PLC	±0.25	2 PLC	±0.15	3 PLC	±0.10	4 PLC	±	ANGLES	±	FINISH	±	<table border="1"> <tr><td>APVD</td><td>17 JAN 2014</td></tr> <tr><td>PRODUCT SPEC</td><td>108-115068</td></tr> <tr><td>APPLICATION SPEC</td><td></td></tr> <tr><td>WEIGHT</td><td></td></tr> </table>	APVD	17 JAN 2014	PRODUCT SPEC	108-115068	APPLICATION SPEC		WEIGHT		SCALE 1:1	SHEET 6 OF 14	REV C2
0 PLC	±																									
1 PLC	±0.25																									
2 PLC	±0.15																									
3 PLC	±0.10																									
4 PLC	±																									
ANGLES	±																									
FINISH	±																									
APVD	17 JAN 2014																									
PRODUCT SPEC	108-115068																									
APPLICATION SPEC																										
WEIGHT																										
MATERIAL		RESTRICTED CUSTOMER																								

THIS DRAWING IS UNPUBLISHED. RELEASED FOR PUBLICATION 20
 © COPYRIGHT 20 TE CONNECTIVITY ALL RIGHTS RESERVED.


LOC		DIST		REVISIONS			
P	LTR	DESCRIPTION	DATE	DWN	APVD		
-	-						

FIXED LATCH TYPE

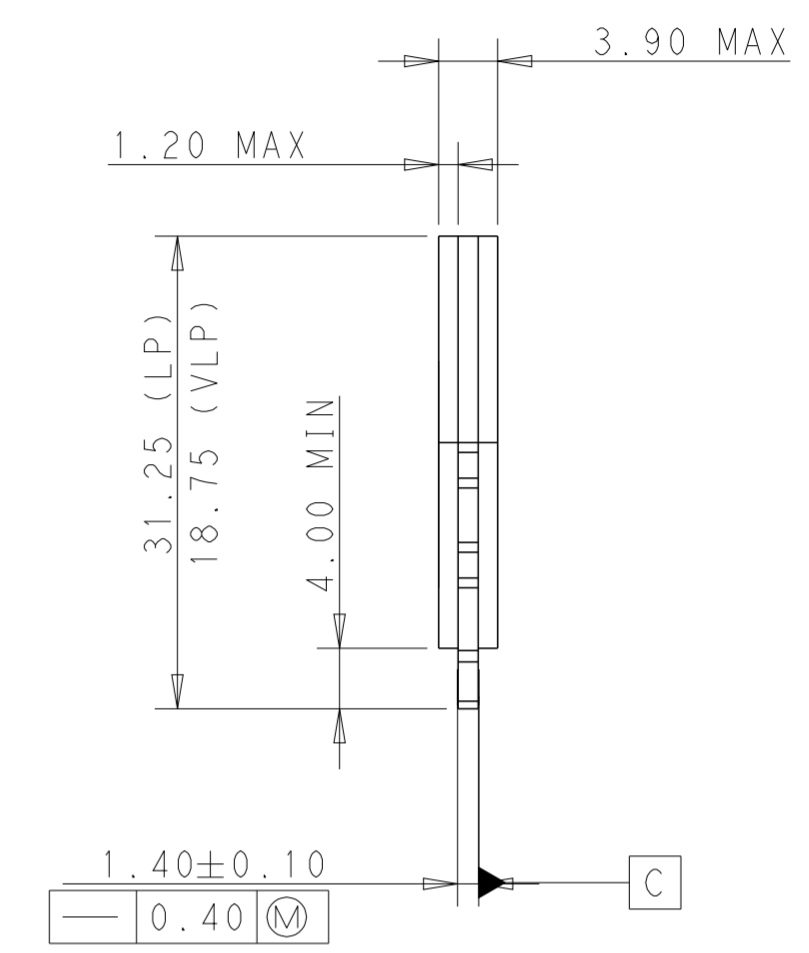
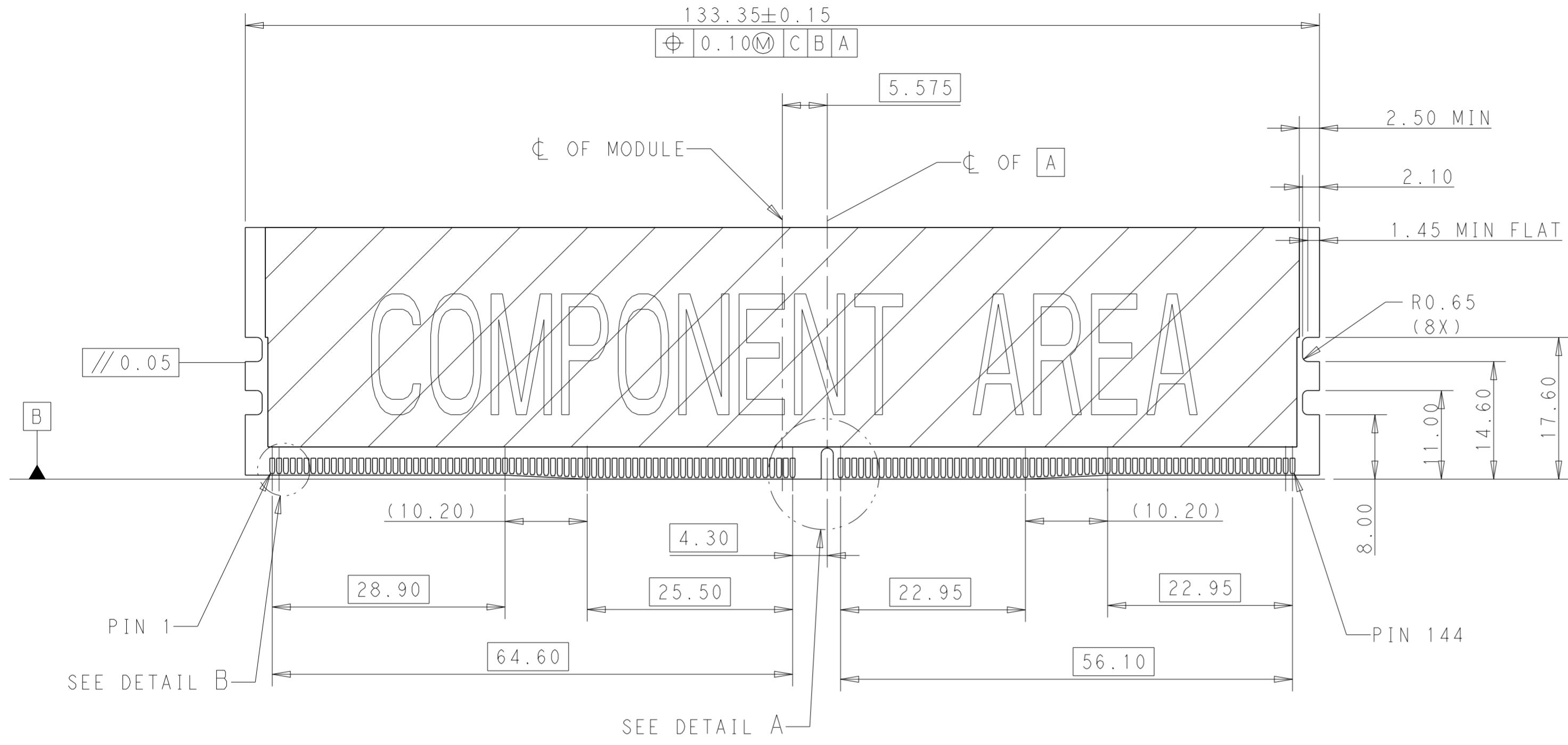


TYPE I	MYLAR	SHORT	FIXED	3 TAB	NATURAL	BLUE	0.00038 MIN	3-2199155-0
PACKAGE TYPE	PICK-UP TYPE	LEFT LATCH	RIGHT LATCH	HOUSING HOLD DOWN	LATCH COLOR	HOUSING COLOR	CONTACT GOLD INTERFACE	PART NUMBER

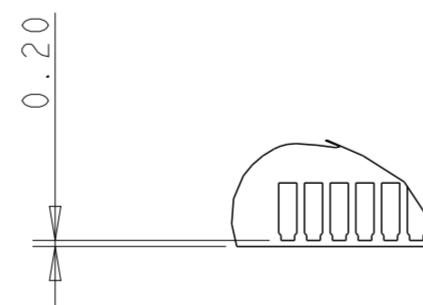
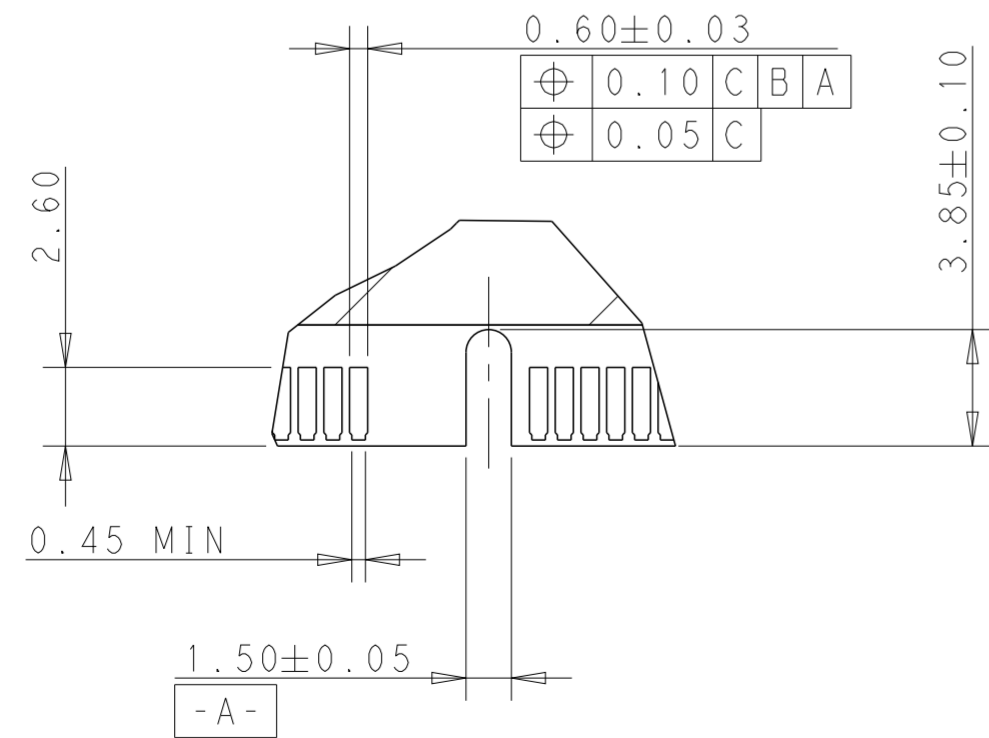
THIS DRAWING IS A CONTROLLED DOCUMENT.

DWN RICHARD MA 17 JAN 2014	 TE Connectivity
CHK SIMON LI 17 JAN 2014	
APVD COREI WANG 17 JAN 2014	
PRODUCT SPEC 108-115068	NAME SOCKET ASSEMBLY DDR4 DIMM, SMT TYPE GENERAL 288 POSITION
APPLICATION SPEC	SIZE A2
WEIGHT	CAGE CODE 00779
RESTRICTED CUSTOMER	DRAWING NO C-2199155
	RESTRICTED TO
	SCALE 1:1
	SHEET 7 OF 14
	REV C2

LOC	DIST	REVISIONS			
P	LTR	DESCRIPTION	DATE	DWN	APVD
-	-				



RECOMMENDED MODULE LAYOUT

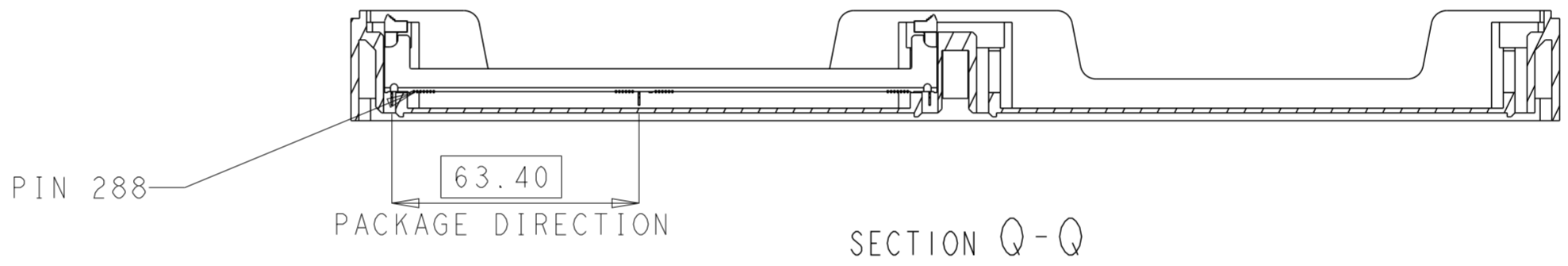
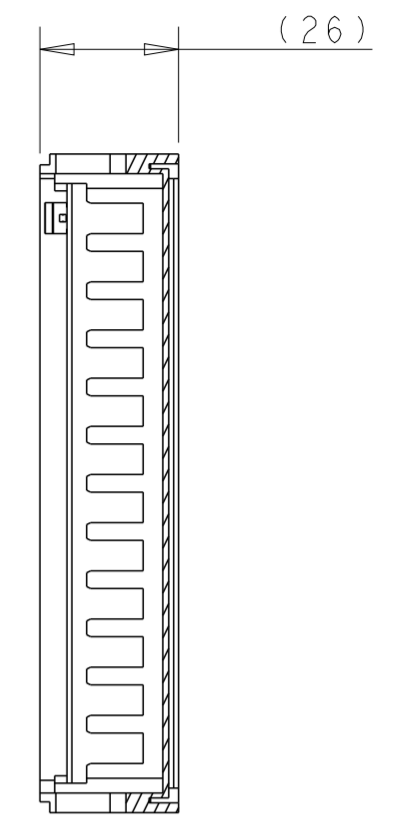
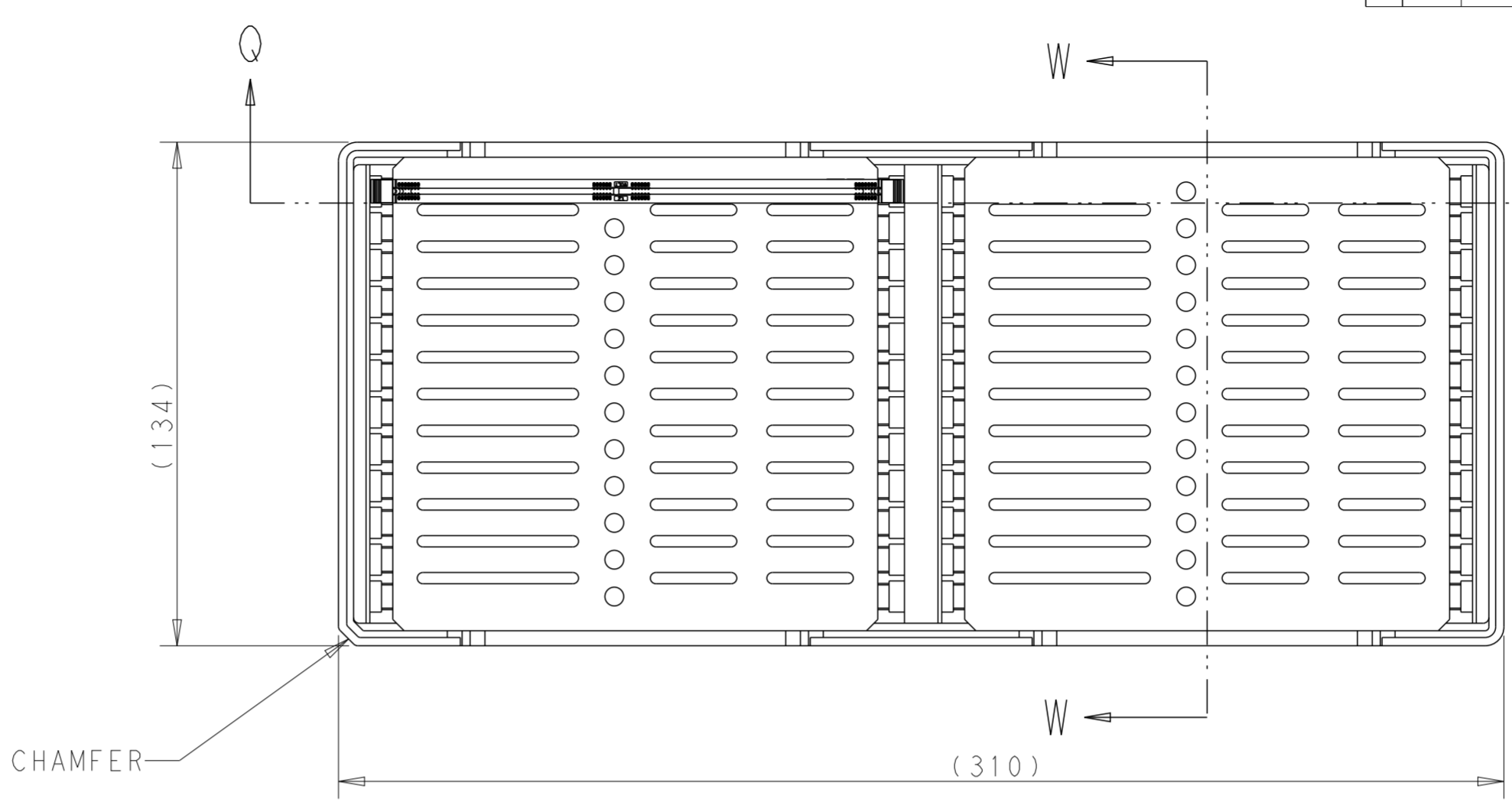
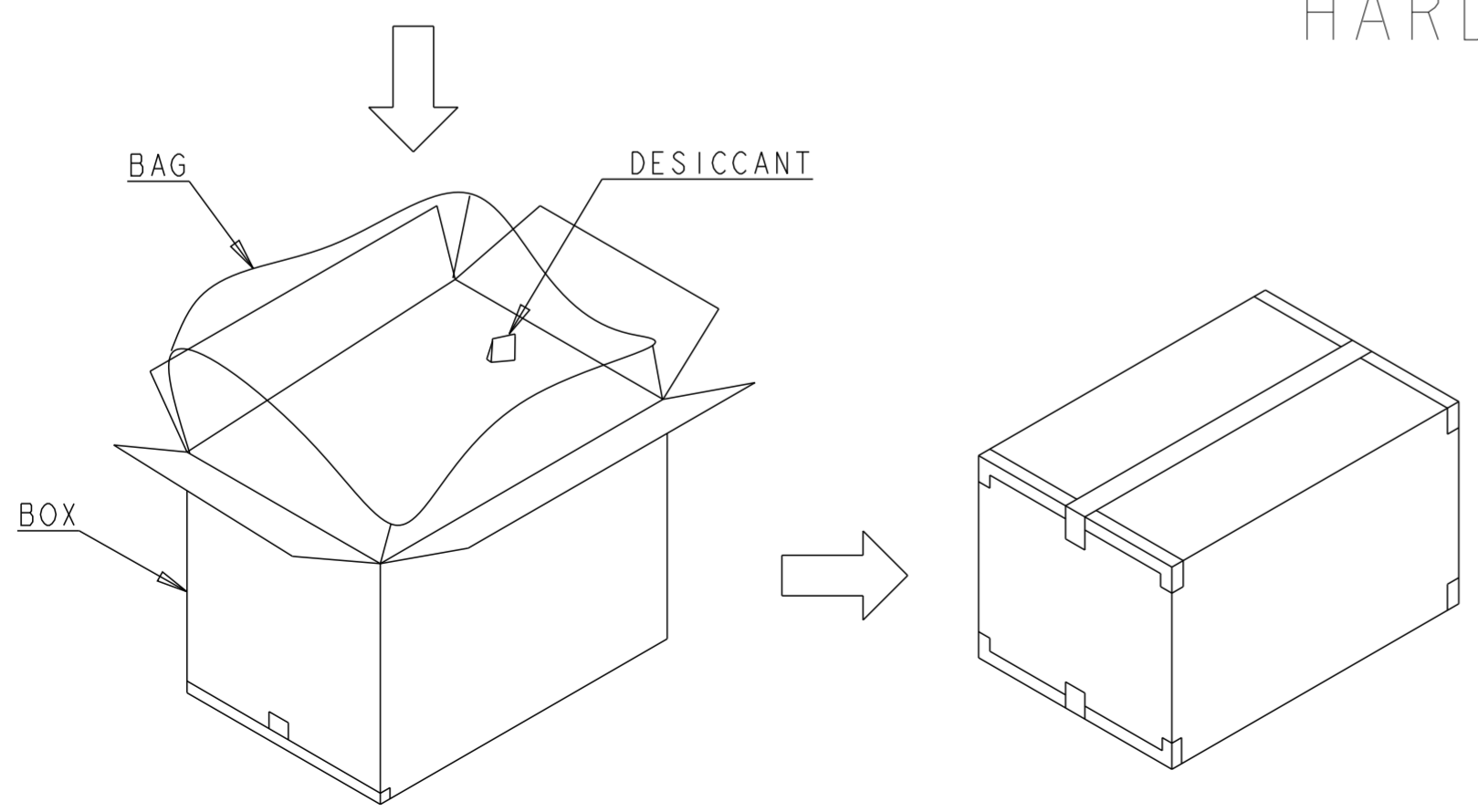
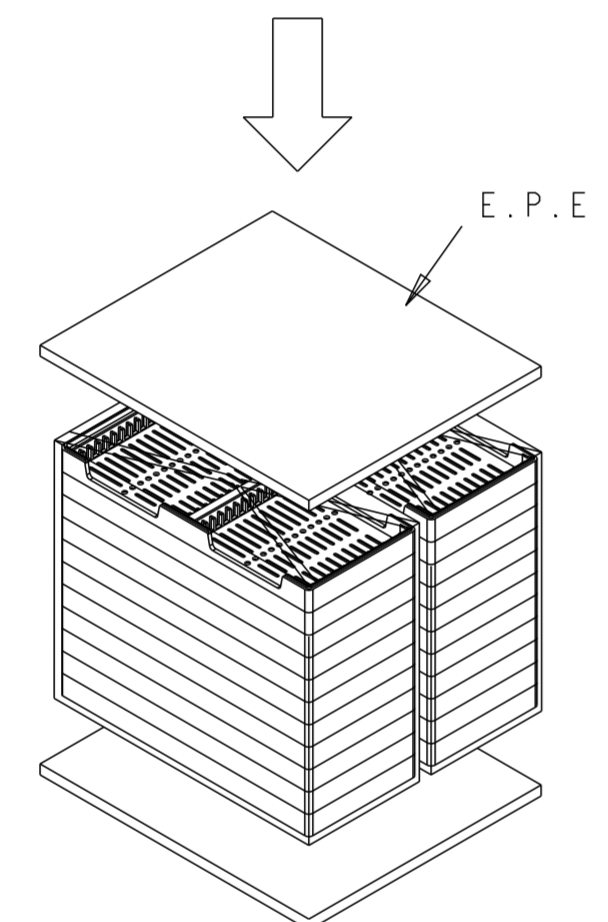
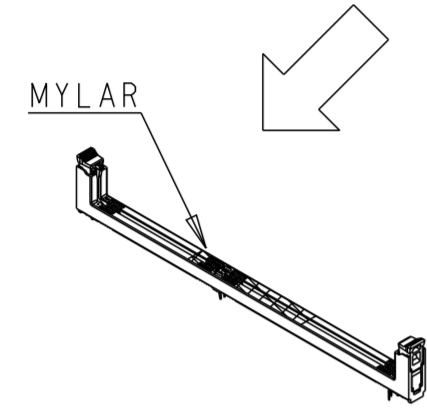
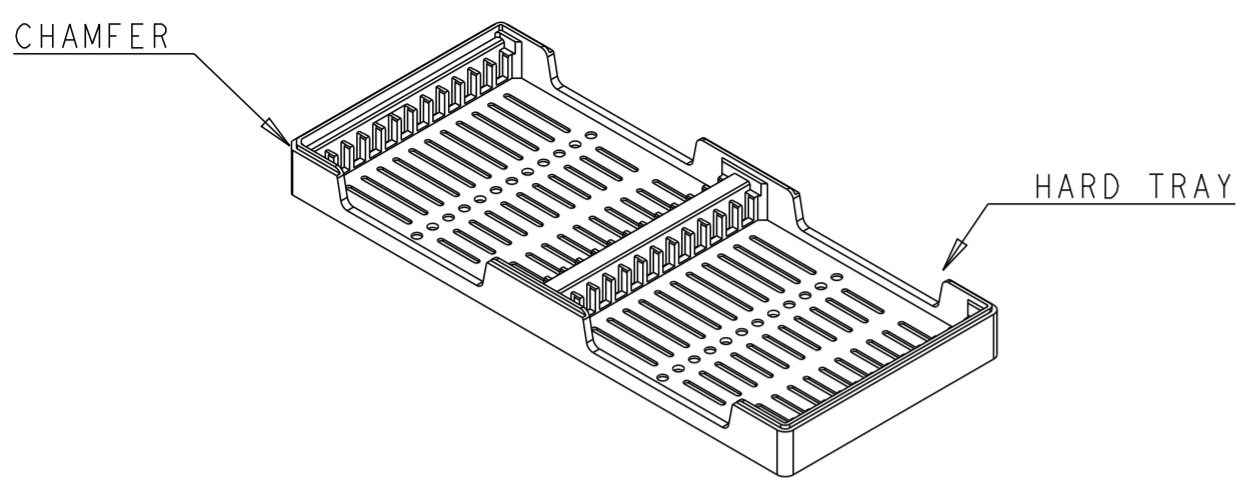


DETAIL B
 SCALE 4:1

DETAIL A
 SCALE 4:1

THIS DRAWING IS A CONTROLLED DOCUMENT.		DWN RICHARD MA 17 JAN 2014	TE Connectivity	
DIMENSIONS: mm		CHK SIMON LI 17 JAN 2014		
TOLERANCES UNLESS OTHERWISE SPECIFIED:		APVD COREI WANG 17 JAN 2014	NAME SOCKET ASSEMBLY	
0 PLC ±		PRODUCT SPEC 108-115068	DDR4 DIMM, SMT TYPE GENERAL	
1 PLC ±0.25		APPLICATION SPEC -	288 POSITION	
2 PLC ±0.15		WEIGHT -	SIZE A2	CAGE CODE C-2199155
3 PLC ±0.10		RESTRICTED CUSTOMER	SCALE 1:1	SHEET 8 OF 14
4 PLC ±				REV C2
ANGLES ±				
FINISH				

LOC		DIST		REVISIONS			
P	LTR	DESCRIPTION	DATE	DWN	APVD		
-	-						



HARD TRAY TYPE I

- MATERIALS :
 TRAY: HIPS, COLOR: BLACK
 BOX: CORRUGATED FIBERBOARD
 TRANSPARENT BAG: PE
- DIMENSIONS:
 TRAY: L=310;W=134;H=26
 BOX: L=340;W=300;H=310
- QUANTITY:
 24 PCS/TRAY
 480 PCS/BOX
- WEIGHT:
 NET WEIGHT: 2.6KG
 GROSS WEIGHT: 5.8KG

THIS DRAWING IS A CONTROLLED DOCUMENT.		DWN RICHARD MA 17 JAN 2014	TE Connectivity	
DIMENSIONS: mm		CHK SIMON LI 17 JAN 2014		
TOLERANCES UNLESS OTHERWISE SPECIFIED:		APVD COREI WANG 17 JAN 2014	NAME SOCKET ASSEMBLY DDR4 DIMM, SMT TYPE GENERAL 288 POSITION	
0 PLC ± 1 PLC ±0.25 2 PLC ±0.15 3 PLC ±0.10 4 PLC ± ANGLES ± FINISH ±		PRODUCT SPEC 108-115068	SIZE A200779	CAGE CODE C-2199155
MATERIAL		APPLICATION SPEC	DRAWING NO C-2199155	RESTRICTED TO
		WEIGHT	SCALE 1:1	SHEET 9 OF 14
		RESTRICTED CUSTOMER	REV C2	

4

3

2

1

THIS DRAWING IS UNPUBLISHED. RELEASED FOR PUBLICATION 20
 © COPYRIGHT 20 TE CONNECTIVITY ALL RIGHTS RESERVED.

LOC	DIST	REVISIONS			
P	LTR	DESCRIPTION	DATE	DWN	APVD
-	-				

CHAMFER
HARD TRAY

MYLAR

E.P.E.

BAG
DESICCANT
BOX

(315)
(150)
CHAMFER
PIN 288
63.40
PACKAGE DIRECTION
SECTION A-A
SECTION B-B
(28)

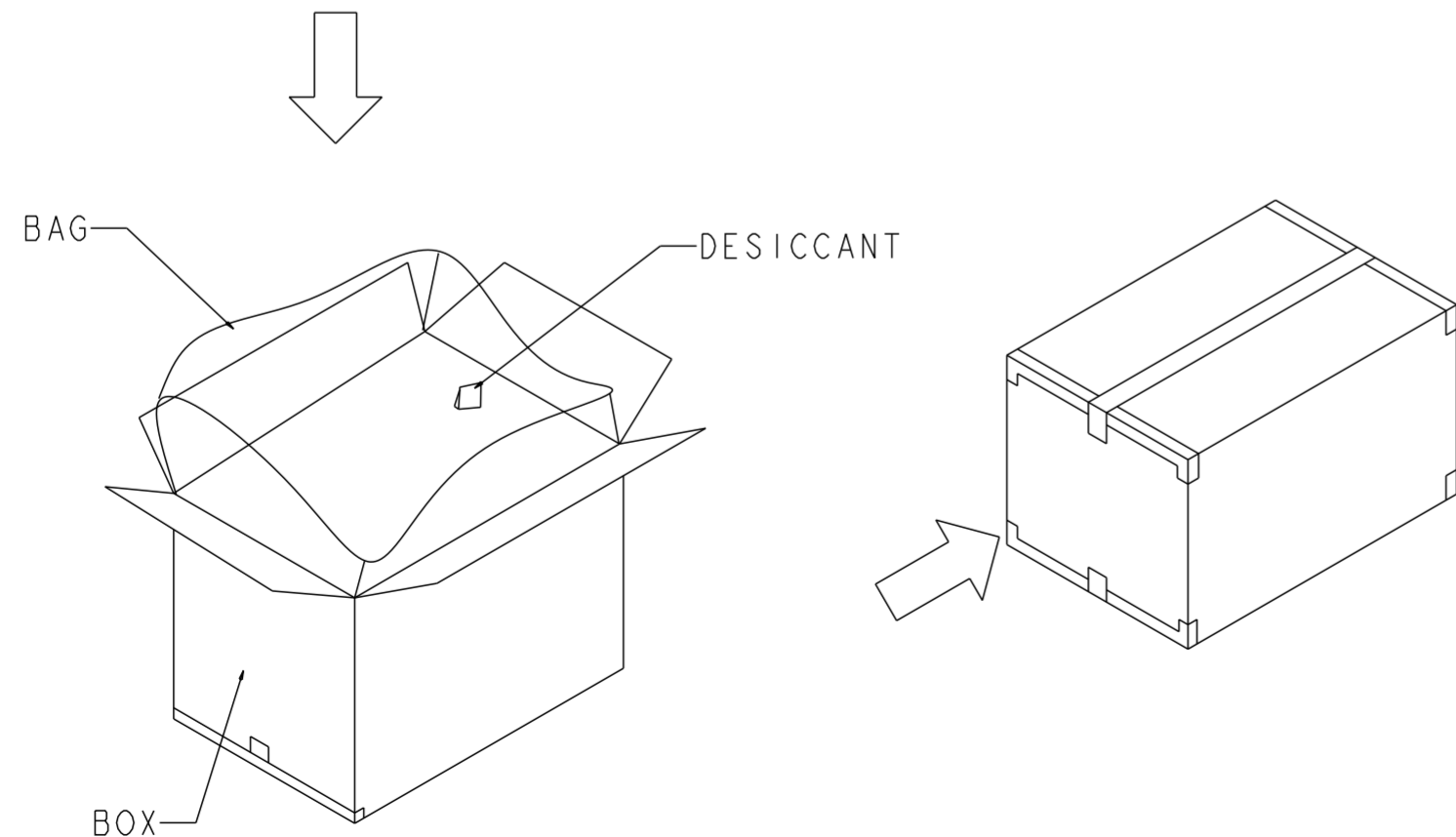
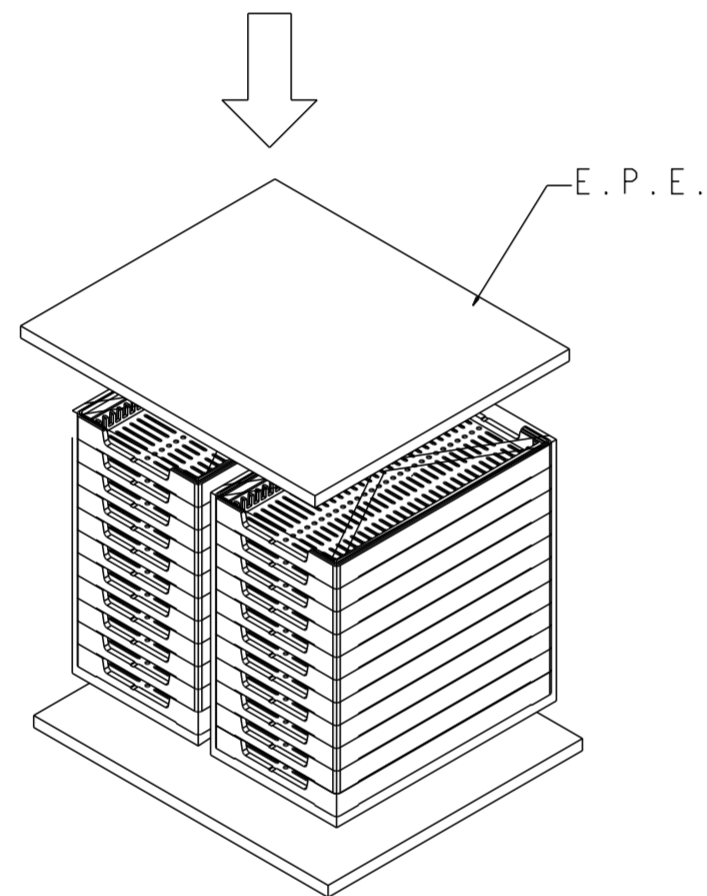
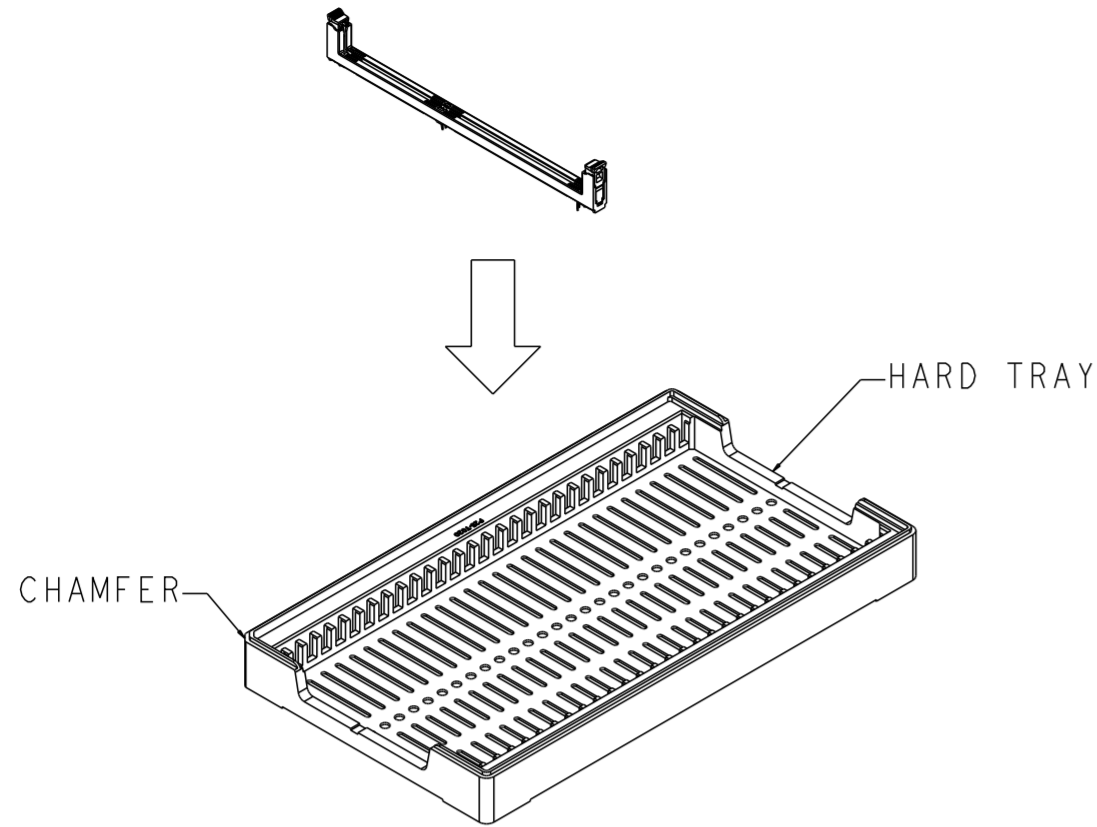
HARD TRAY TYPE II

- MATERIALS :
 TRAY: HIPS, COLOR: BLACK
 BOX: CORRUGATED FIBERBOARD
 TRANSPARENT BAG: PE
- DIMENSIONS:
 TRAY: L=315;W=150;H=28;PITCH=8.5
 BOX: L=330;W=320;H=335
- QUANTITY:
 32 PCS/TRAY
 640 PCS/BOX

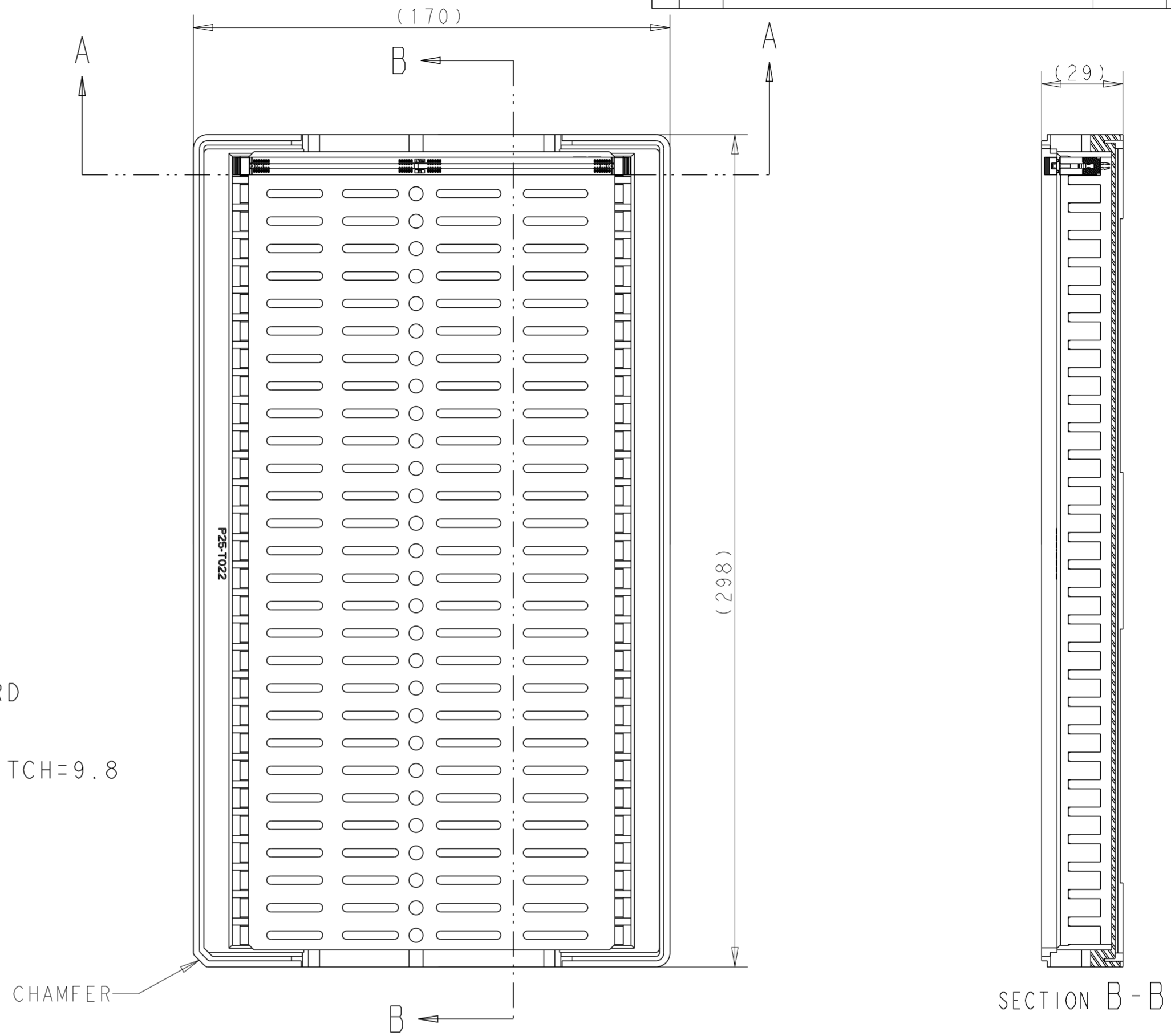
THIS DRAWING IS A CONTROLLED DOCUMENT.		DWN RICHARD MA 17 JAN 2014	TE Connectivity															
DIMENSIONS: mm		CHK SIMON LI 17 JAN 2014																
TOLERANCES UNLESS OTHERWISE SPECIFIED:		APVD COREI WANG 17 JAN 2014	NAME SOCKET ASSEMBLY DDR4 DIMM, SMT TYPE GENERAL 288 POSITION															
<table border="1"> <tr><td>0 PLC</td><td>±</td></tr> <tr><td>1 PLC</td><td>±0.25</td></tr> <tr><td>2 PLC</td><td>±0.15</td></tr> <tr><td>3 PLC</td><td>±0.10</td></tr> <tr><td>4 PLC</td><td>±</td></tr> <tr><td>ANGLES</td><td>±</td></tr> <tr><td>FINISH</td><td>±</td></tr> </table>		0 PLC	±	1 PLC	±0.25	2 PLC	±0.15	3 PLC	±0.10	4 PLC	±	ANGLES	±	FINISH	±	PRODUCT SPEC 108-115068	SIZE A2	
0 PLC	±																	
1 PLC	±0.25																	
2 PLC	±0.15																	
3 PLC	±0.10																	
4 PLC	±																	
ANGLES	±																	
FINISH	±																	
MATERIAL		APPLICATION SPEC	CAGE CODE 00779	DRAWING NO C-2199155														
		WEIGHT	RESTRICTED TO															
		RESTRICTED CUSTOMER	SCALE 1:1	SHEET 10 OF 14														
			REV C2															

1471-9 (3/11)

LOC		DIST		REVISIONS			
P	LTR	DESCRIPTION	DATE	DWN	APVD		
-	-						



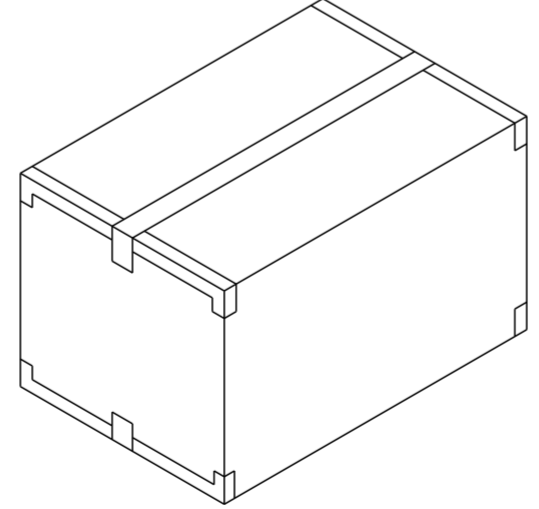
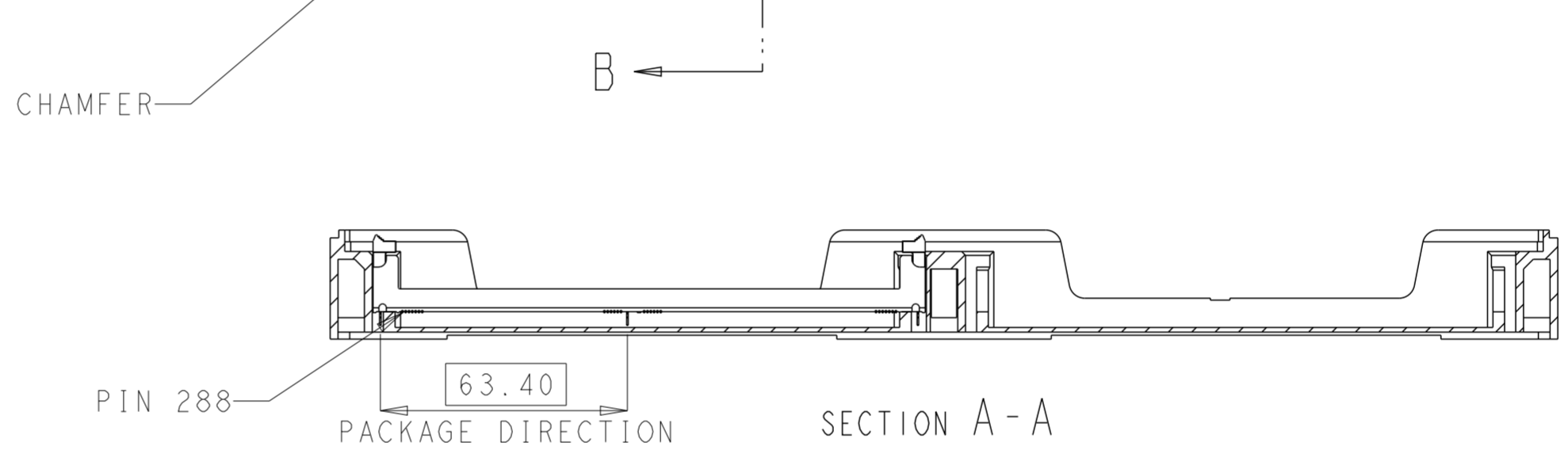
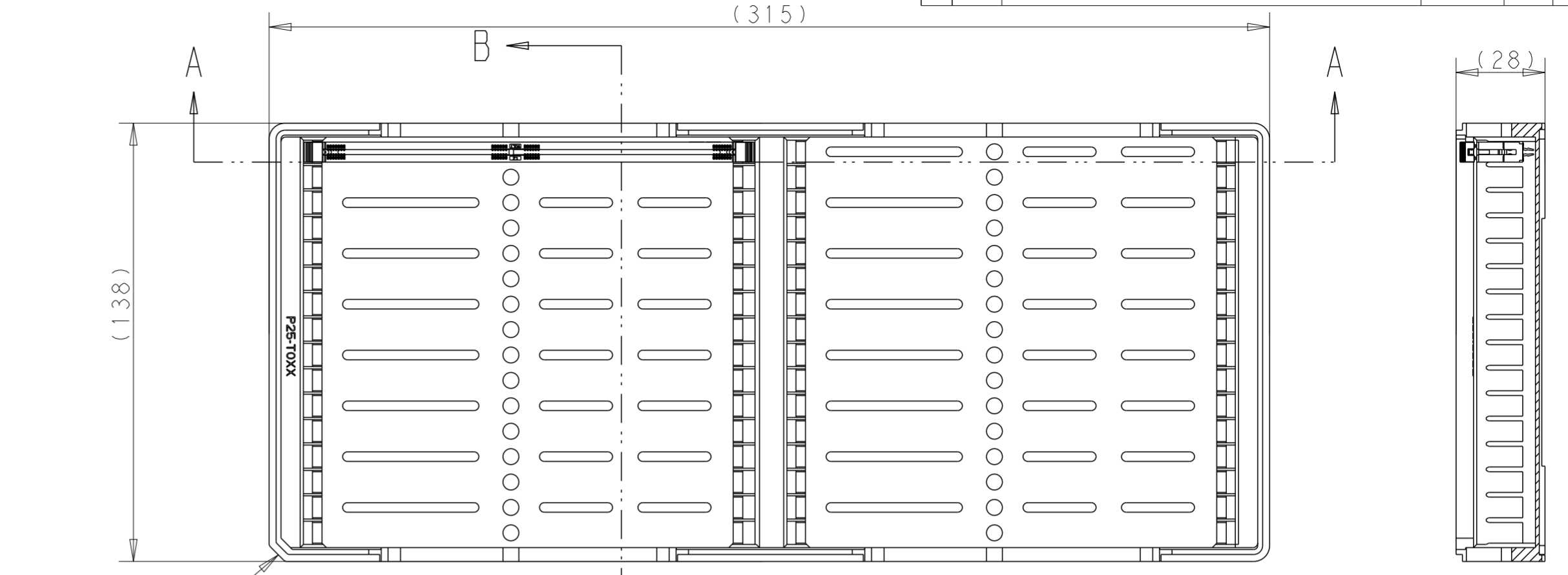
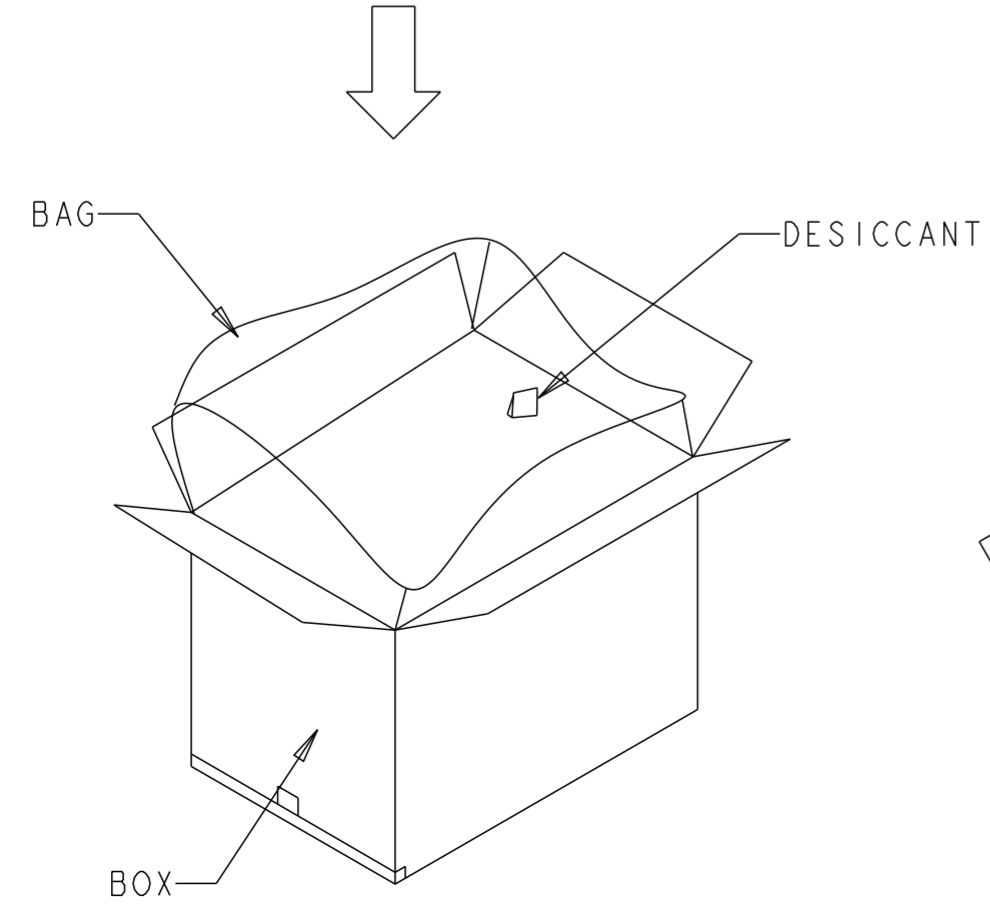
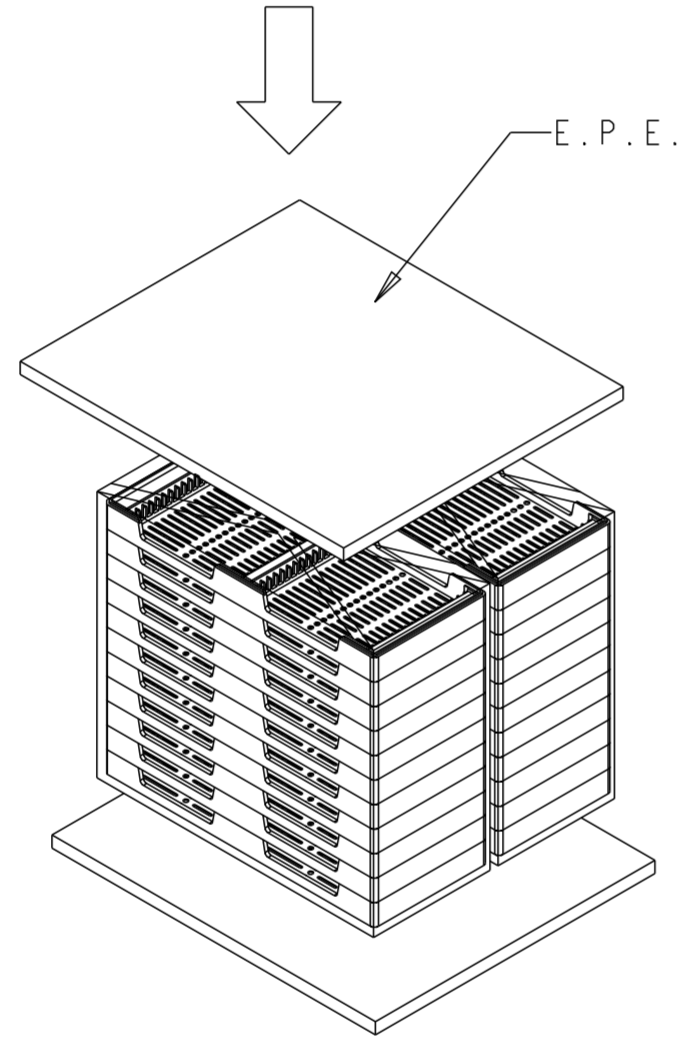
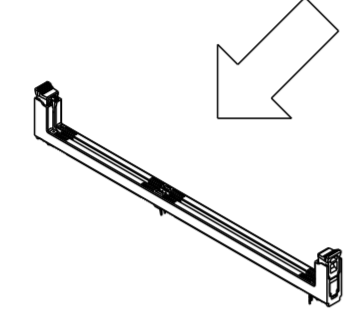
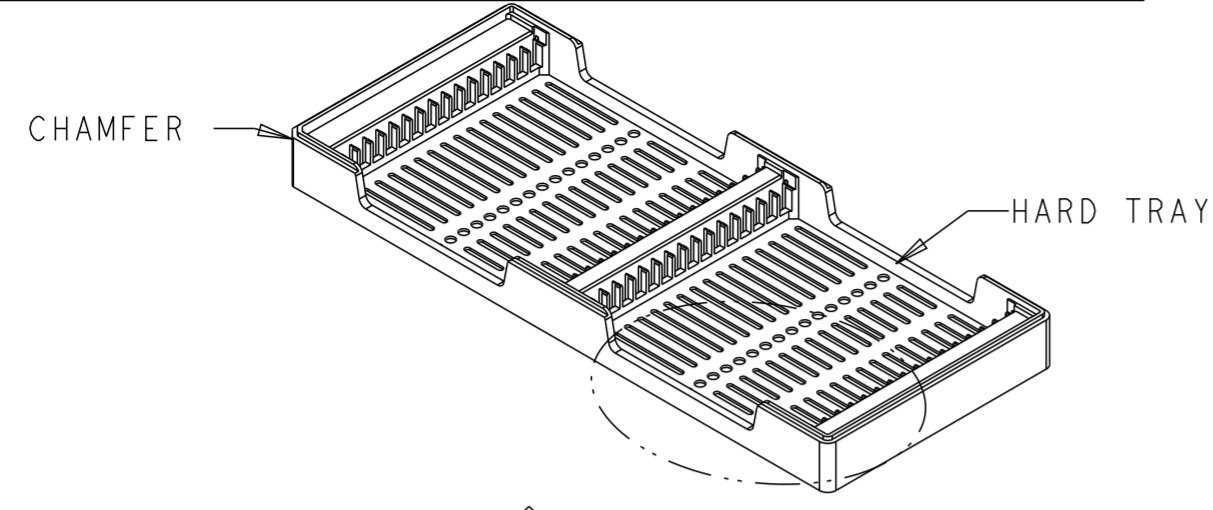
- MATERIALS :
 TRAY: HIPS, COLOR: BLACK
 BOX: CORRUGATED FIBERBOARD
 TRANSPARENT BAG: PE
- DIMENSIONS:
 TRAY: L=298;W=170;H=29;PITCH=9.8
 BOX: L=355;W=315;H=350
- QUANTITY:
 29 PCS/TRAY
 580 PCS/BOX



HARD TRAY TYPE III

THIS DRAWING IS A CONTROLLED DOCUMENT.		DWN RICHARD MA 17 JAN 2014	TE Connectivity		
		CHK SIMON LI 17 JAN 2014			
		APVD COREI WANG 17 JAN 2014	NAME SOCKET ASSEMBLY		
DIMENSIONS: mm		PRODUCT SPEC 108-115068		DDR4 DIMM, SMT TYPE GENERAL	
TOLERANCES UNLESS OTHERWISE SPECIFIED:		APPLICATION SPEC -		288 POSITION	
0 PLC ±		WEIGHT -		RESTRICTED TO	
1 PLC ±0.25		RESTRICTED CUSTOMER		SCALE 1:1 SHEET 11 OF 14 REV C2	
2 PLC ±0.15					
3 PLC ±0.10					
4 PLC ±					
ANGLES ±					
FINISH					

LOC		DIST		REVISIONS			
P	LTR	DESCRIPTION	DATE	DWN	APVD		
-	-						



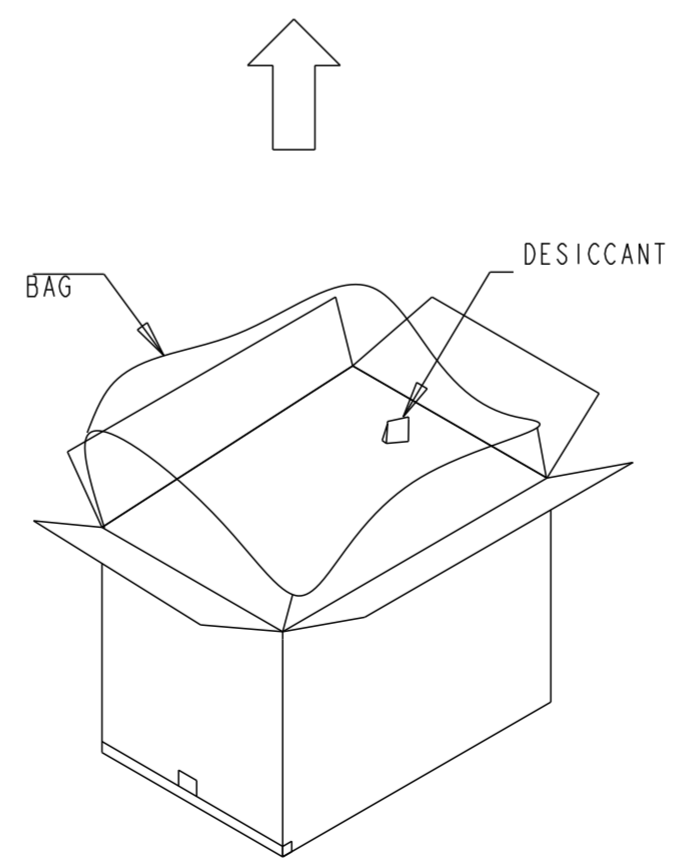
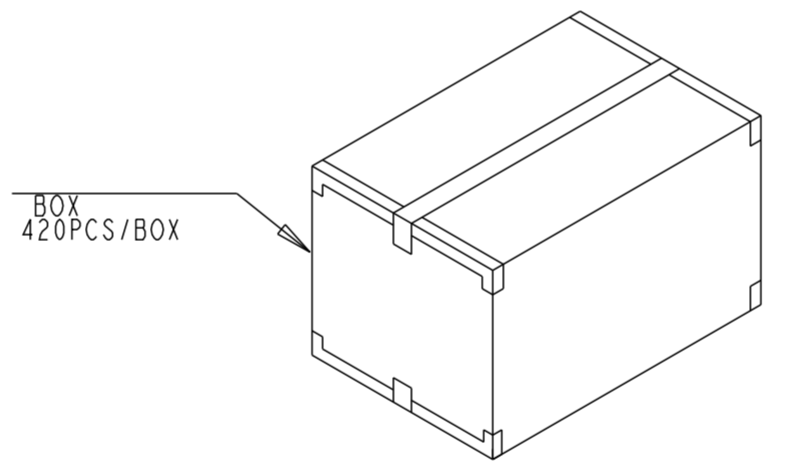
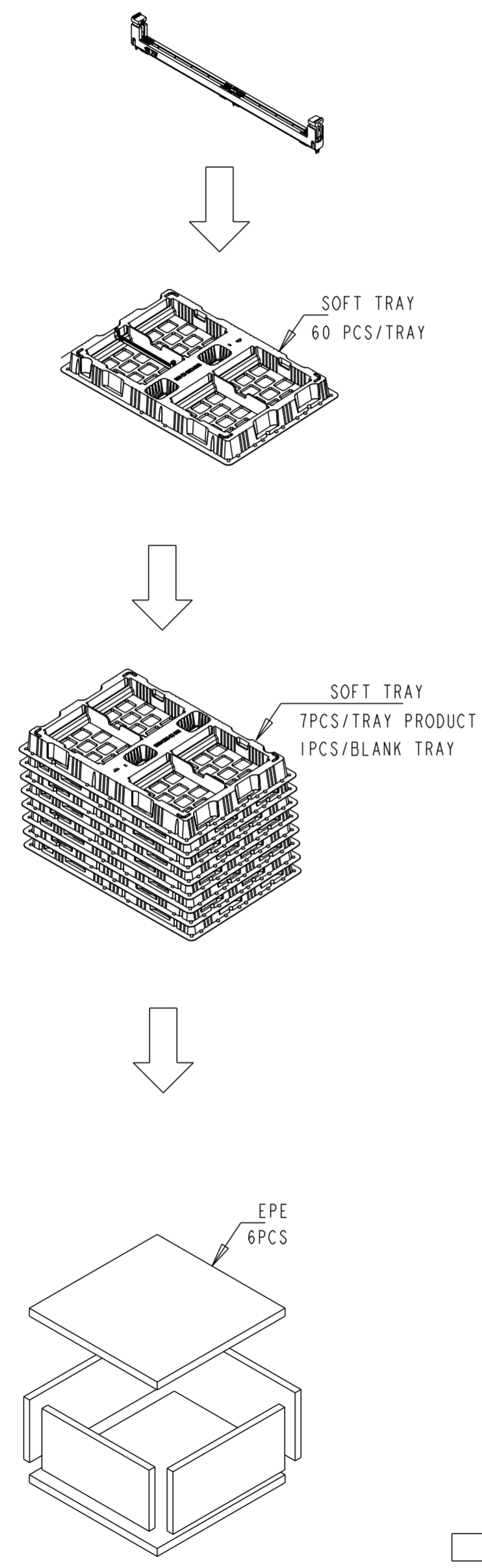
- MATERIALS :
 TRAY: HIPS, COLOR: BLACK
 BOX: CORRUGATED FIBERBOARD
 TRANSPARENT BAG: PE
- DIMENSIONS:
 TRAY: L=315;W=138;H=28;PITCH=8.0
 BOX: L=330;W=295;H=335
- QUANTITY:
 32 PCS/TRAY
 640 PCS/BOX

HARD TRAY TYPE IV

THIS DRAWING IS A CONTROLLED DOCUMENT.		DWN RICHARD MA 17 JAN 2014	STE TE Connectivity		
		CHK SIMON LI 17 JAN 2014			
DIMENSIONS: mm		APVD COREI WANG 17 JAN 2014	NAME SOCKET ASSEMBLY DDR4 DIMM, SMT TYPE GENERAL 288 POSITION		
TOLERANCES UNLESS OTHERWISE SPECIFIED: 0 PLC ± 1 PLC ±0.25 2 PLC ±0.15 3 PLC ±0.10 4 PLC ± ANGLES ± FINISH		PRODUCT SPEC 108-115068	SIZE A2	CAGE CODE 00779	DRAWING NO C-2199155
MATERIAL		APPLICATION SPEC	RESTRICTED TO	RESTRICTED TO	
		WEIGHT	SCALE 1:1		SHEET 12 OF 14
		RESTRICTED CUSTOMER	REV C2		

THIS DRAWING IS UNPUBLISHED. RELEASED FOR PUBLICATION 20
 © COPYRIGHT 20 TE CONNECTIVITY ALL RIGHTS RESERVED.

LOC		DIST		REVISIONS			
P	LTR	DESCRIPTION	DATE	DWN	APVD		
-	-						



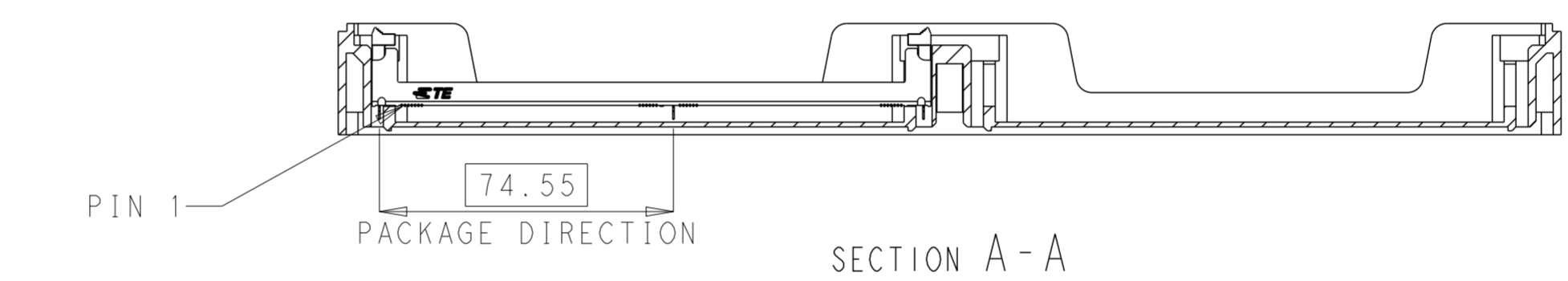
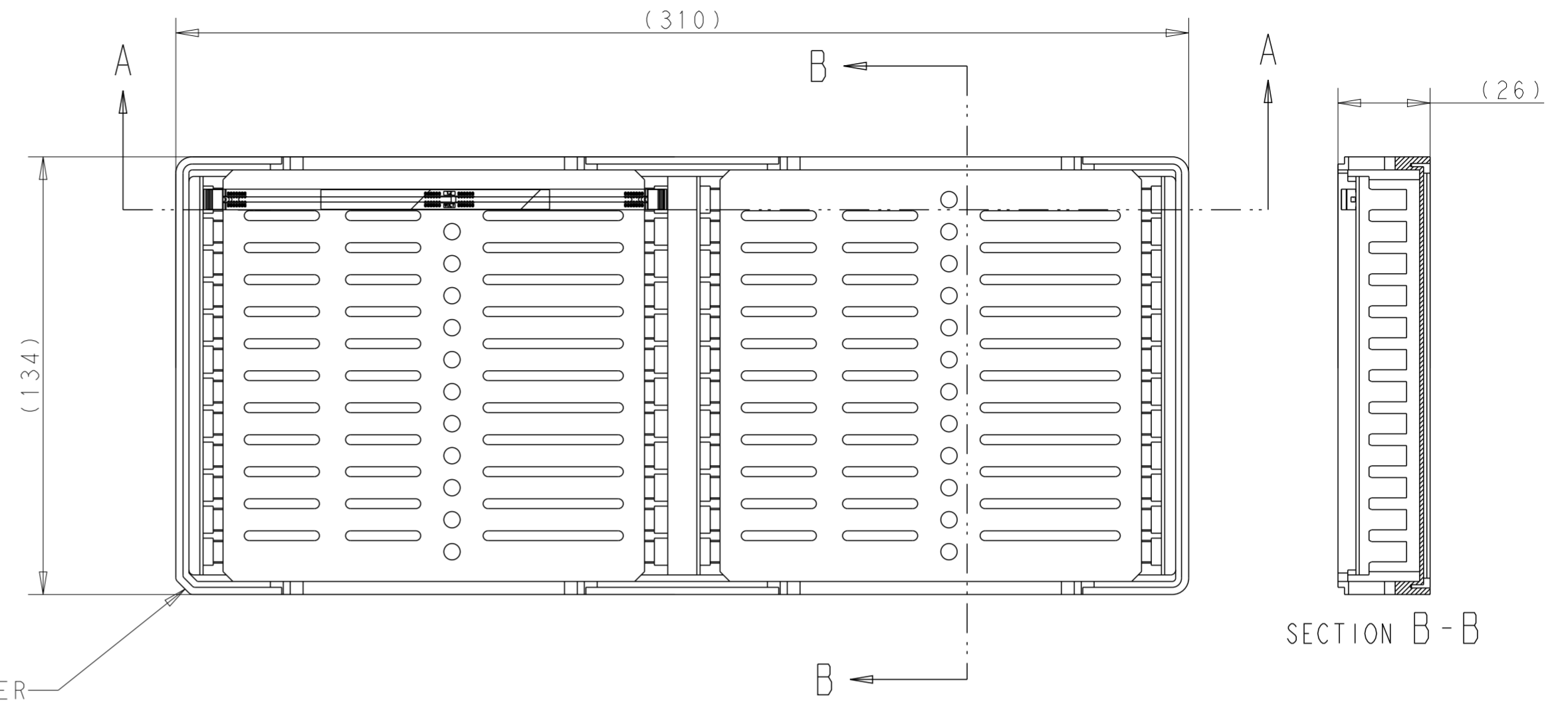
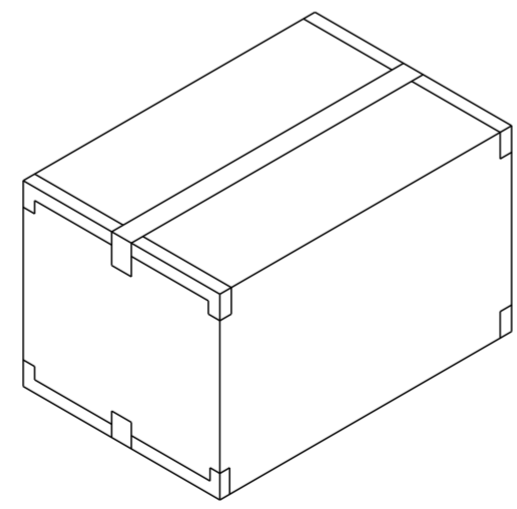
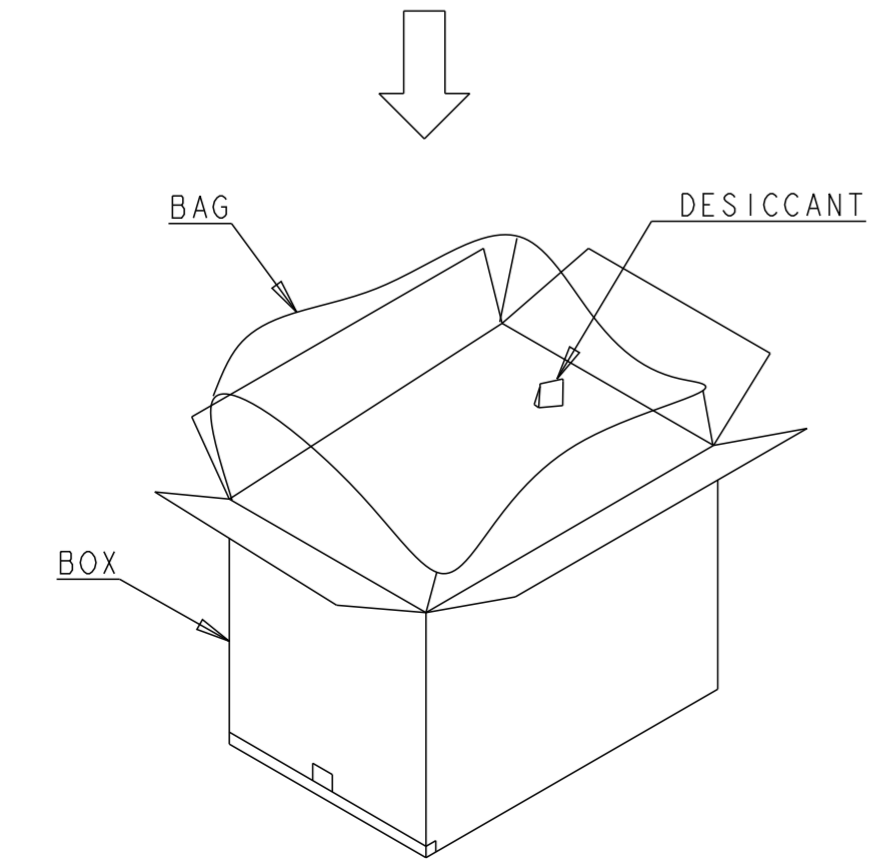
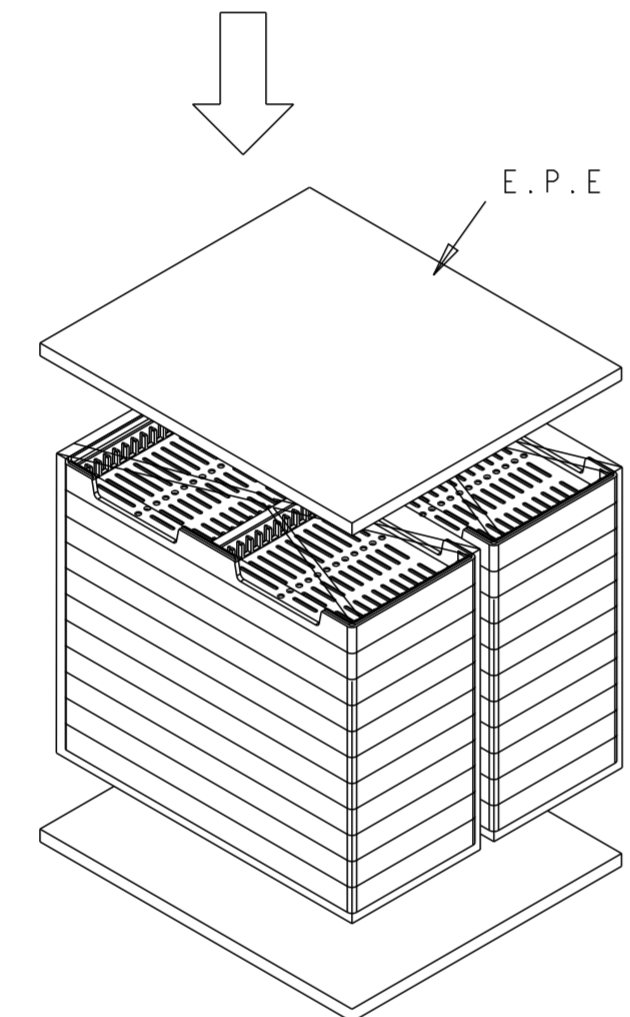
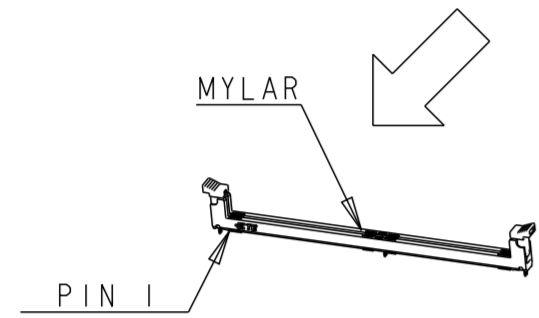
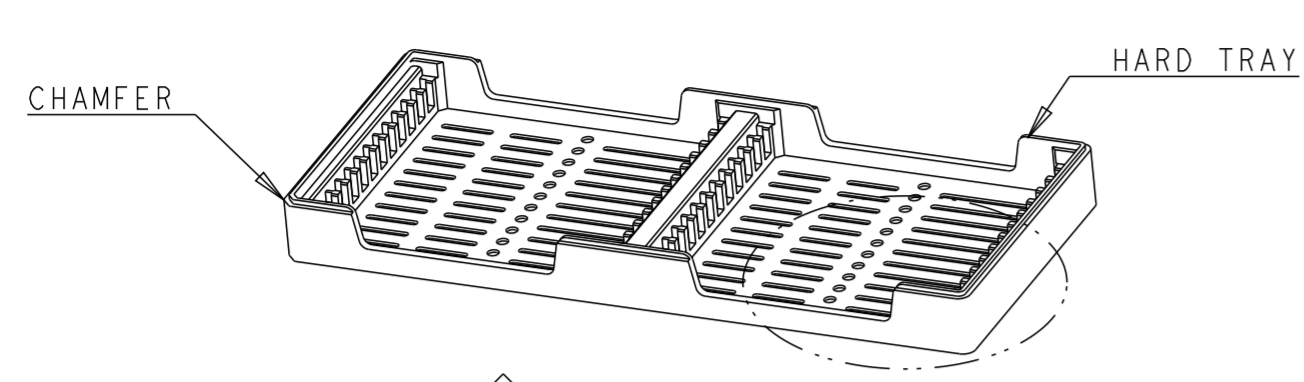
- MATERIALS :
 TRAY: PVC, COLOR: TRANSPARENT
 BOX: CORRUGATED FIBERBOARD
 TRANSPARENT BAG: PE
- DIMENSIONS:
 TRAY: L=410;W=270;H=36.3;
 BOX: L=460;W=320;H=290
- QUANTITY:
 60 PCS/TRAY
 420 PCS/BOX

SOFT TRAY TYPE V

THIS DRAWING IS A CONTROLLED DOCUMENT.		DWN RICHARD MA 17 JAN 2014	STE TE Connectivity	
DIMENSIONS: mm		CHK SIMON LI 17 JAN 2014		
TOLERANCES UNLESS OTHERWISE SPECIFIED: 0 PLC ± 1 PLC ±0.25 2 PLC ±0.15 3 PLC ±0.10 4 PLC ± ANGLES ± FINISH		APVD COREI WANG 17 JAN 2014	NAME SOCKET ASSEMBLY DDR4 DIMM, SMT TYPE GENERAL 288 POSITION	
MATERIAL		PRODUCT SPEC 108-115068	SIZE A200779	CAGE CODE C-2199155
		RESTRICTED CUSTOMER	SCALE 1:1	SHEET 13 OF 14 REV C2

THIS DRAWING IS UNPUBLISHED. RELEASED FOR PUBLICATION 20
 © COPYRIGHT 20 TE CONNECTIVITY ALL RIGHTS RESERVED.

LOC		DIST		REVISIONS			
P	LTR	DESCRIPTION	DATE	DWN	APVD		
-	-						



- MATERIALS :
 TRAY: HIPS, COLOR: BLACK
 BOX: CORRUGATED FIBERBOARD
 TRANSPARENT BAG: PE
- DIMENSIONS:
 TRAY: L=310;W=134;H=26
 BOX: L=340;W=300;H=310
- QUANTITY:
 24 PCS/TRAY
 480 PCS/BOX
- WEIGHT:
 NET WEIGHT: 2.6KG
 GROSS WEIGHT: 5.8KG

HARD TRAY TYPE VI

THIS DRAWING IS A CONTROLLED DOCUMENT.		DWN RICHARD MA 17 JAN 2014	TE Connectivity	
DIMENSIONS: mm		CHK SIMON LI 17 JAN 2014		
TOLERANCES UNLESS OTHERWISE SPECIFIED:		APVD COREI WANG 17 JAN 2014	NAME SOCKET ASSEMBLY DDR4 DIMM, SMT TYPE GENERAL 288 POSITION	
		PRODUCT SPEC 108-115068	SIZE A2	
MATERIAL		APPLICATION SPEC	CAGE CODE 00779	DRAWING NO C-2199155
FINISH		WEIGHT	RESTRICTED TO	
		RESTRICTED CUSTOMER	SCALE 1:1	SHEET 14 OF 14 REV C2