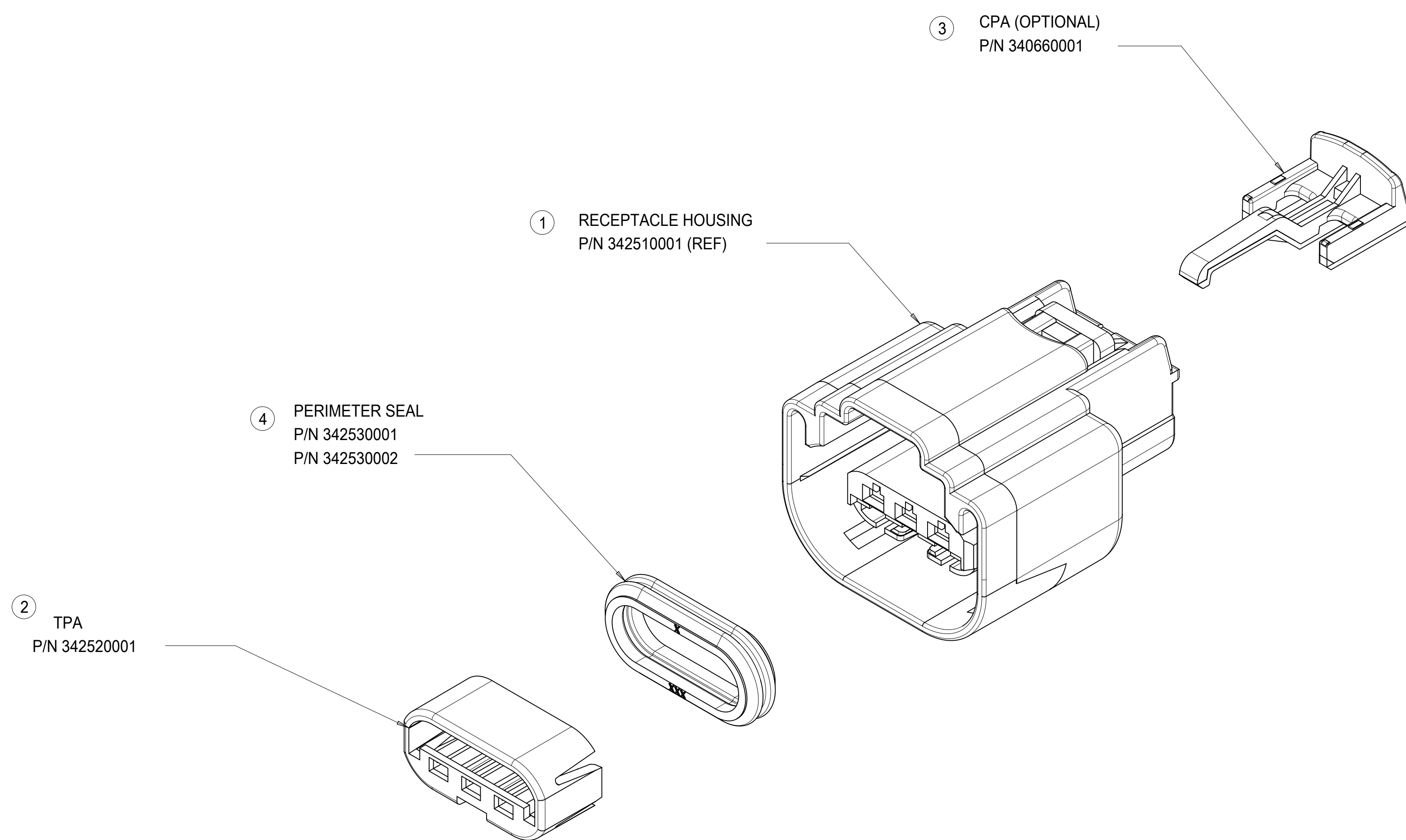


TABLE OF CONTENTS	
SHEET NO.	SHEET DESCRIPTION
1	NOTES
2	DUAL KEY CONFIGURATION
3	SINGLE KEY CONFIGURATION
4	VIEWS
5	BOM
6	TERMINAL AND CABLE SEAL



NOTES: VALID UNLESS OTHERWISE SPECIFIED

1. GENERAL:

- a. APPLICATION SPECIFICATION SEE: 1600730001-AS
 - CONTAINS: PRODUCT INTRODUCTION, PRODUCT SUMMARY, CONNECTOR ASSEMBLY, PACKAGING INFORMATION, CONNECTOR MATING, SERVICE INSTRUCTIONS, ELECTRICAL CONTINUITY CHECKING, CRIMPING, AND TROUBLESHOOTING.
 - DESIGNED TO MATE WITH DEVICE OR CONNECTOR AS SPECIFIED IN THE MATING INTERFACE/CONNECTOR DRAWINGS CHART.
 - *DENOTES DRAWINGS THAT CAN BE ACCESSED AT <http://ewcap.uscarteams.org/>.
 - ASSEMBLY SHIPPED WITH PLR IN PRE-LOCK POSITION (SEE PLR PRE-LOCK VIEW SHEET 4).

b. PRODUCT SPECIFICATION SEE: 1600730001-PS

c. PACKAGING SPECIFICATION PER MOLEX DRAWING: SEE PK-31300-068

d. PARTS MUST BE IN COMPLIANCE TO MOLEX CHEMICAL SUBSTANCES FOR PRODUCTS AND PACKAGING SPECIFICATION: QEHS-699000-301

e. DATA MUST BE SUBMITTED UNDER THE MOLEX PART NUMBER TO IMDS (COMPANY ID#13255)

2. DESIGN - MATERIALS:

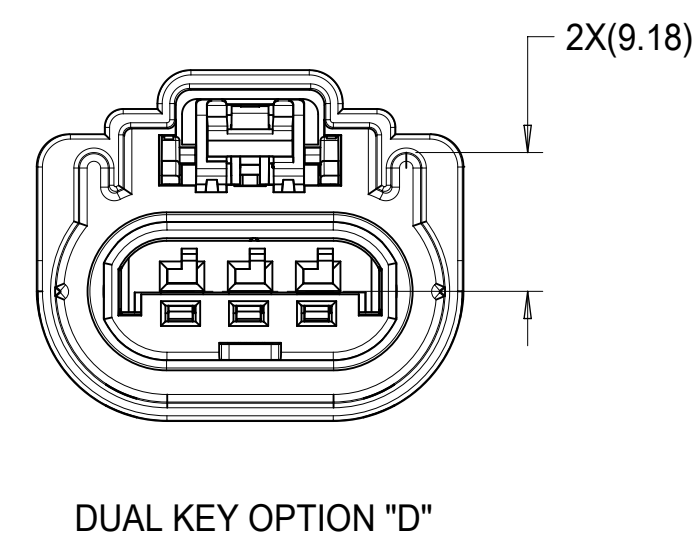
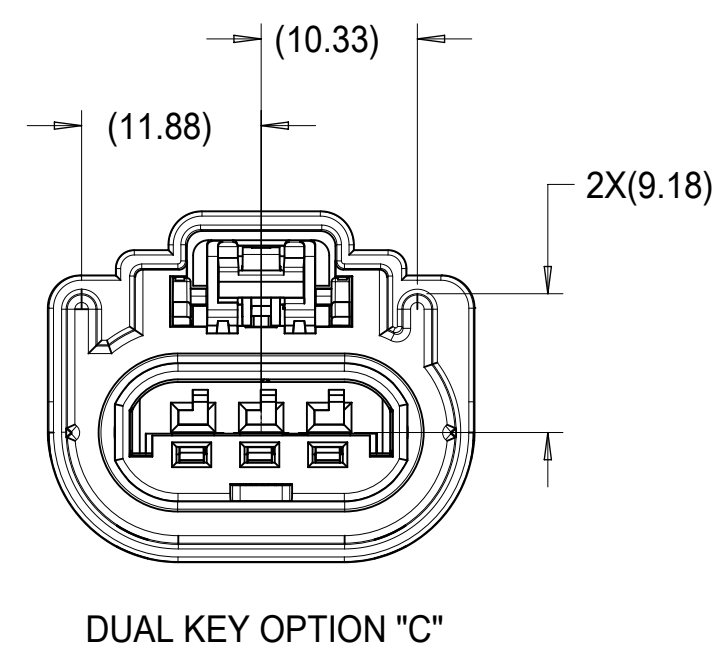
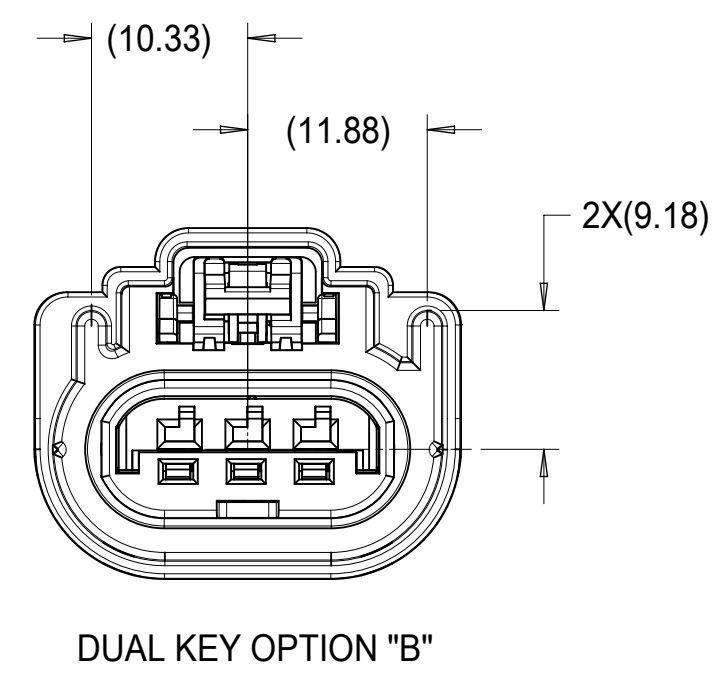
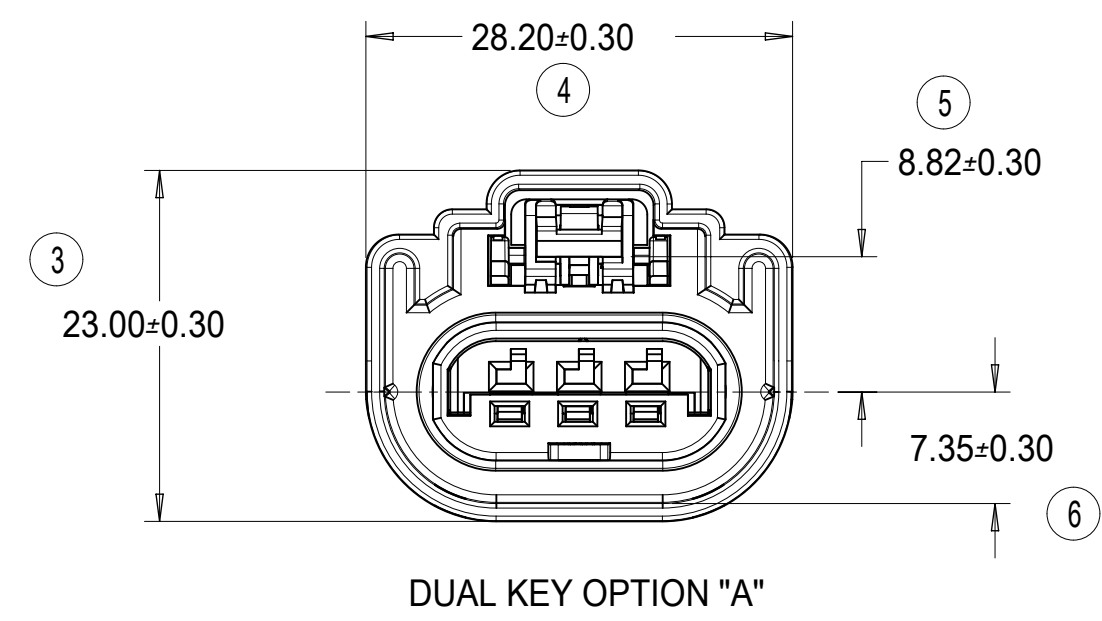
a. FOR BILL OF MATERIALS SEE: BOM IN SHEET 5

3. DESIGN - GEOMETRY:

- a. THE 3-D CAD DATA IS BASIC (WITHOUT TOLERANCE) AND MASTER FOR THIS PART WITH THE EXCEPTION OF UNDERLINED DIMENSIONS. DIMENSIONAL INFORMATION NOT SHOWN ON THIS DRAWING IS DEFINED BY THE DATA FILE AT ITS LATEST REVISION.
 - b. GEOMETRIC DIMENSIONS AND TOLERANCES PER ASME Y14.5M-2009
 - c. EDGES AND UNDIMENSIONED DETAILS PER ISO13715
 - d. CORNERS SHOWN AS SHARP TO BE R 0.2 MAX.
 - e. LETTERING SHALL BE 0.15 MAX RAISED IN 0.25 MAX RECESS PAD. THIS INCLUDES RECYCLING CODE, CAVITY ID, VENDOR IDENTIFICATION, AND CUSTOMER MATERIAL NUMBER.
 - f. VISUAL DEFECTS SHALL MEET COSMETIC STANDARD PS-45499-002 (Class B).
 - g. LASER MARKING:
 - 1. PART NUMBER
 - 2. DAY OF THE YEAR
 - 3. SHIFT
 - 4. YEAR
- FOR ADDITIONAL INFORMATION SEE SECTION 5 UNDER PROCEDURES IN ES-34735-008.

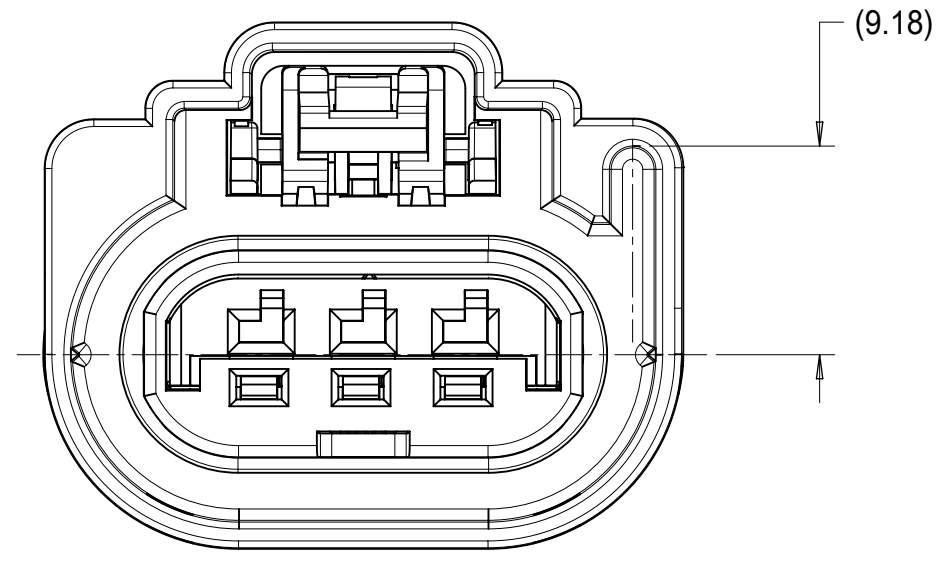
SYMBOLS	THIS DRAWING CONTAINS INFORMATION THAT IS PROPRIETARY TO MOLEX ELECTRONIC TECHNOLOGIES, LLC AND SHOULD NOT BE USED WITHOUT WRITTEN PERMISSION		CURRENT REV DESC:		molex				
	DIMENSION UNITS	SCALE	EC NO: 171123 DRWN: PXU25 2017/12/26 CHK'D: KBORUSZEWSKI 2018/01/26 APPR: MVANSLAMBROU 2018/02/02 INITIAL REVISION: DRWN: CYMA 2016/07/20 APPR: KDEKOSKI 2017/02/08		RECEPTACLE ASSEMBLY				
	mm	2:1			3-WAY USCAR CONNECTOR 1.5MM CABLE SEAL				
	GENERAL TOLERANCES (UNLESS SPECIFIED)				PRODUCT CUSTOMER DRAWING				
	ANGULAR TOL ± 3.0°				DOCUMENT NUMBER				
	4 PLACES	±	DRWN: CYMA 2016/07/20		SD-160073-001		DOC TYPE	DOC PART	REVISION
	3 PLACES	±	APPR: KDEKOSKI 2017/02/08		PSD		001		R
	2 PLACES	± 0.1	MATERIAL NUMBER		CUSTOMER		SHEET NUMBER		
	1 PLACE	± 0.3	THIRD ANGLE PROJECTION		A1-SIZE		160073		GENERAL MARKET
	0 PLACES	±	DRAWING		SERIES		1 OF 6		
	DRAFT WHERE APPLICABLE MUST REMAIN WITHIN DIMENSIONS		DRAWING		SERIES		160073		

DUAL KEY CONFIGURATION

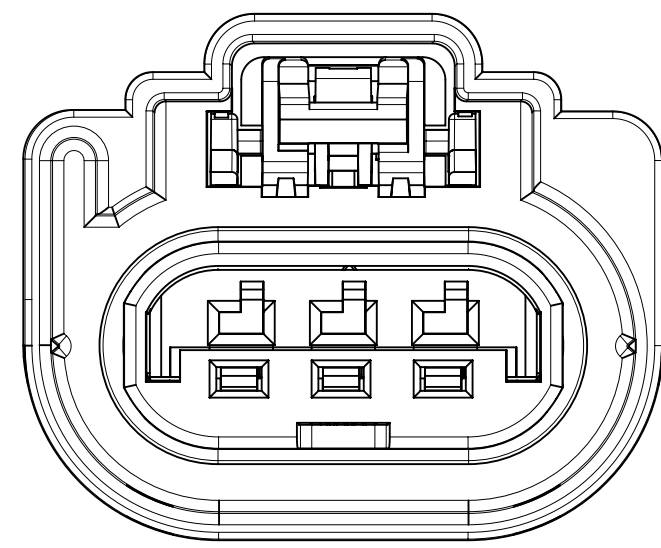


SYMBOLS	THIS DRAWING CONTAINS INFORMATION THAT IS PROPRIETARY TO MOLEX ELECTRONIC TECHNOLOGIES, LLC AND SHOULD NOT BE USED WITHOUT WRITTEN PERMISSION		
	DIMENSION UNITS	SCALE	CURRENT REV DESC:
= 0	mm	3:1	EC NO: 171123 DRWN: PXU25 2017/12/26 CHK'D: KBORUSZEWSKI 2018/01/26 APPR: MVANSLAMBROU 2018/02/02 INITIAL REVISION: DRWN: CYMA 2016/07/20 APPR: KDEKOSKI 2017/02/08
= 0	GENERAL TOLERANCES (UNLESS SPECIFIED)		
= 0	ANGULAR TOL ± 3.0°		
= 0	4 PLACES ±		
= 0	3 PLACES ±		DOCUMENT NUMBER: SD-160073-001 DOC TYPE: PSD DOC PART: 001 REVISION: R
= 0	2 PLACES ± 0.1		
= 0	1 PLACE ± 0.3		MATERIAL NUMBER: 160073 CUSTOMER: GENERAL MARKET SHEET NUMBER: 2 OF 6
= 0	0 PLACES ±		
= 0	DRAFT WHERE APPLICABLE MUST REMAIN WITHIN DIMENSIONS	THIRD ANGLE PROJECTION	DRAWING: A1-SIZE SERIES: 160073

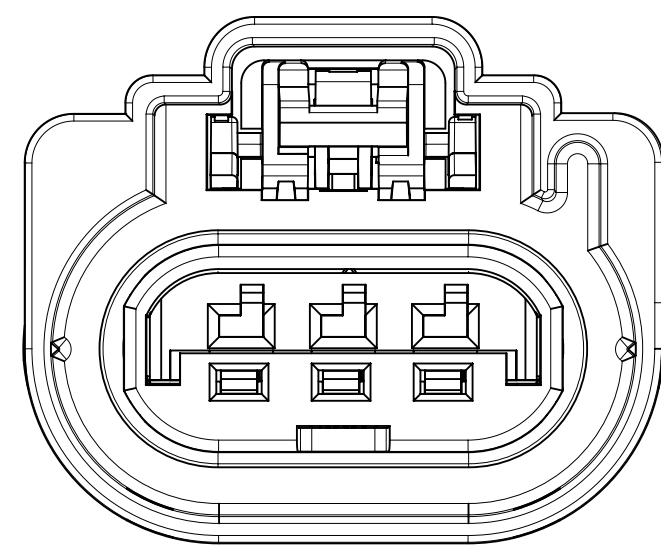
SINGLE KEY CONFIGURATION



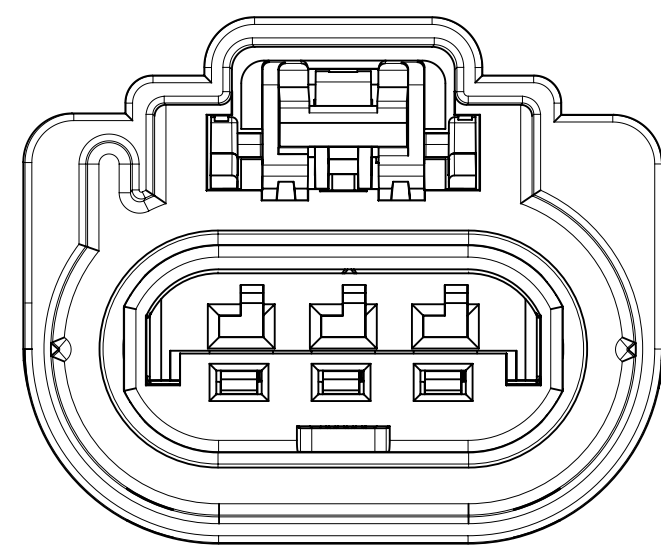
SINGLE KEY OPTION "A"



SINGLE KEY OPTION "B"



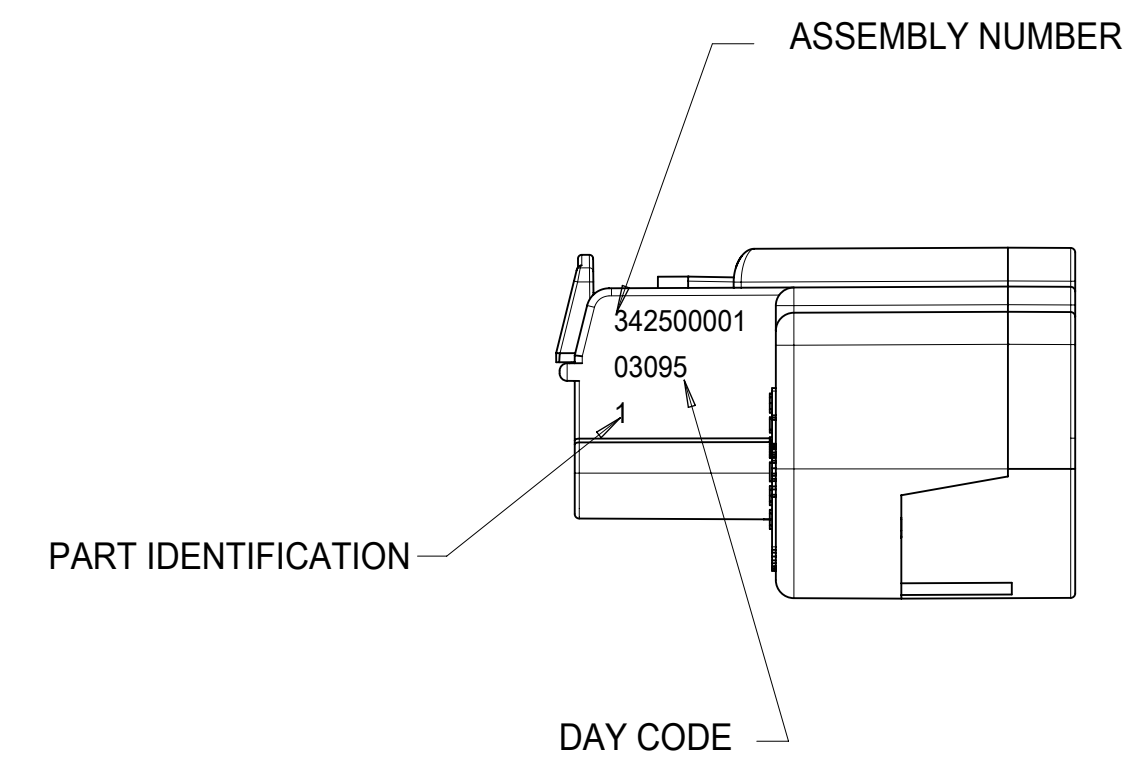
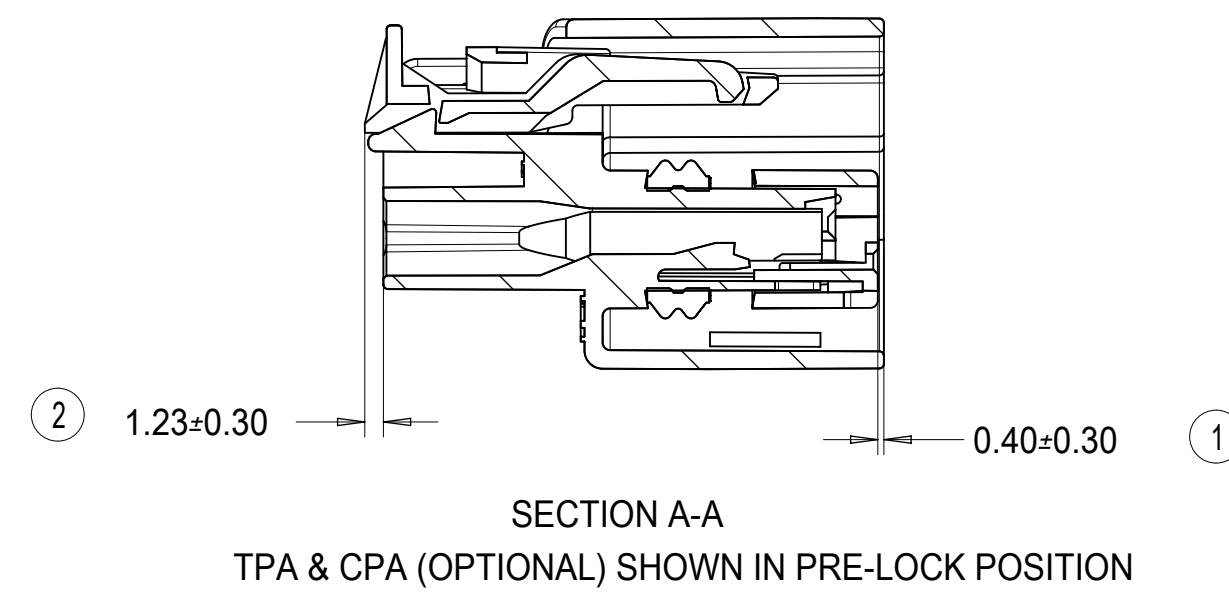
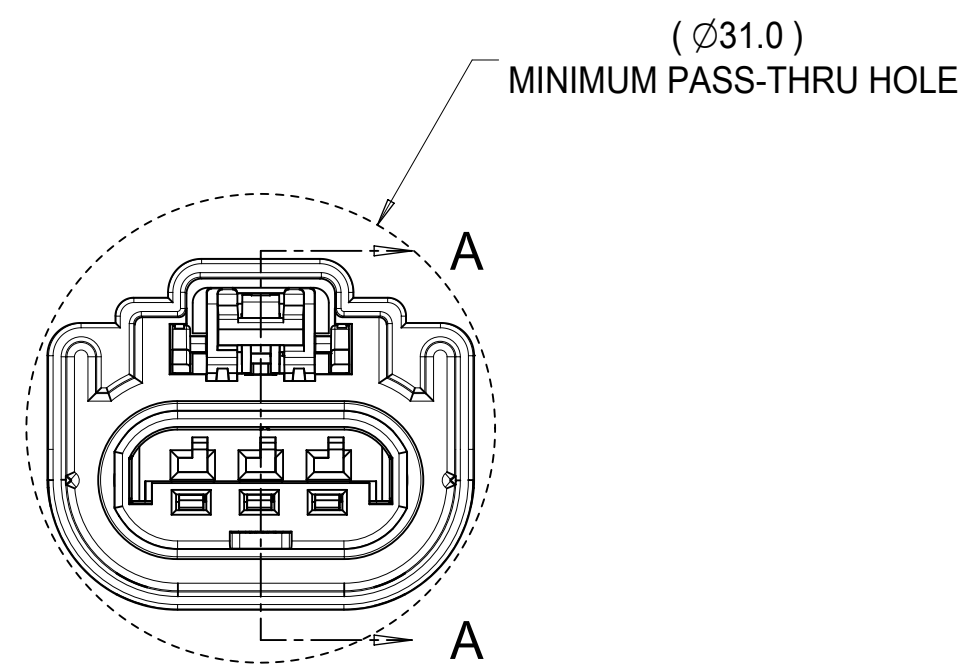
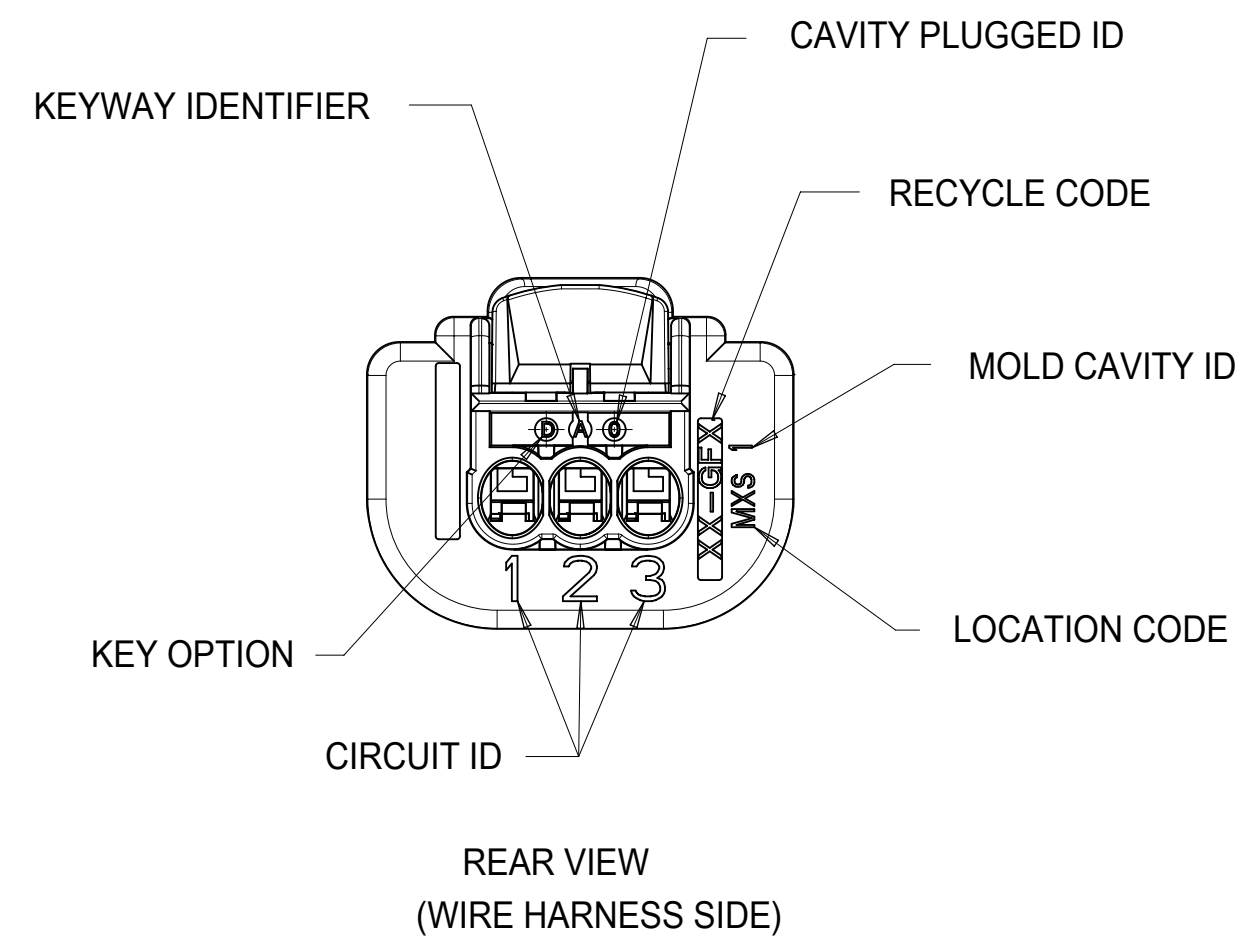
SINGLE KEY OPTION "C"



SINGLE KEY OPTION "D"

SYMBOLS = 0 	THIS DRAWING CONTAINS INFORMATION THAT IS PROPRIETARY TO MOLEX ELECTRONIC TECHNOLOGIES, LLC AND SHOULD NOT BE USED WITHOUT WRITTEN PERMISSION DIMENSION UNITS: mm SCALE: 3:1 GENERAL TOLERANCES (UNLESS SPECIFIED) ANGULAR TOL ± 3.0° 4 PLACES ± 3 PLACES ± 2 PLACES ± 0.1 1 PLACE ± 0.3 0 PLACES ± DRAFT WHERE APPLICABLE MUST REMAIN WITHIN DIMENSIONS	CURRENT REV DESC: EC NO: 171123 DRWN: PXU25 2017/12/26 CHK'D: KBORUSZEWSKI 2018/01/26 APPR: MVANSLAMBROU 2018/02/02 INITIAL REVISION: DRWN: CYMA 2016/07/20 APPR: KDEKOSKI 2017/02/08	molex RECEPTACLE ASSEMBLY 3-WAY USCAR CONNECTOR 1.5MM CABLE SEAL PRODUCT CUSTOMER DRAWING DOCUMENT NUMBER: SD-160073-001 DOC TYPE: PSD DOC PART: 001 REVISION: R MATERIAL NUMBER: 160073 CUSTOMER: GENERAL MARKET SHEET NUMBER: 3 OF 6
--	---	--	---

VIEWS



SYMBOLS	THIS DRAWING CONTAINS INFORMATION THAT IS PROPRIETARY TO MOLEX ELECTRONIC TECHNOLOGIES, LLC AND SHOULD NOT BE USED WITHOUT WRITTEN PERMISSION		CURRENT REV DESC:					
	DIMENSION UNITS	SCALE						EC NO: 171123
▽ = 0	mm	2:1	GENERAL TOLERANCES (UNLESS SPECIFIED)	CHK'D: KBORUSZEWSKI	2018/01/26	3-WAY USCAR CONNECTOR 1.5MM CABLE SEAL		
▽ = 0	ANGULAR TOL ± 3.0°		APPR: MVANSLAMBROU	2018/02/02	PRODUCT CUSTOMER DRAWING			
▽ = 0	4 PLACES ±	INITIAL REVISION:	DRWN: CYMA	2016/07/20	DOCUMENT NUMBER	DOC TYPE	DOC PART	REVISION
▽ = 0	3 PLACES ±		APPR: KDEKOSKI	2017/02/08	SD-160073-001	PSD	001	R
▽ = 0	2 PLACES ± 0.1	DRAFT WHERE APPLICABLE MUST REMAIN WITHIN DIMENSIONS	THIRD ANGLE PROJECTION		MATERIAL NUMBER	CUSTOMER		SHEET NUMBER
▽ = 0	1 PLACE ± 0.3		DRAWING SERIES		A1-SIZE	160073	GENERAL MARKET	4 OF 6
▽ = 0	0 PLACES ±							

ASSEMBLY DESCRIPTION	ASSEMBLY P/N	HOUSING KEY/COLOR	BLOCKED TERMINALS			MATES W/ USCAR DUAL KEY	MATES W/ USCAR SINGLE KEY	STATUS	COMMENTS
			1	2	3				
KEY A, BLACK, W/O CPA	1600733101	A-BLACK				150-S-003-1-A01	N/A	SALEABLE	N/A
KEY B, LT GREY, W/O CPA	1600733102	B-LT GREY				150-S-003-1-B01	N/A	SALEABLE	N/A
KEY C, DK GREY, W/O CPA	1600733103	C-DK GREY				150-S-003-1-C01	N/A	SALEABLE	N/A
KEY D, ST GREY, W/O CPA	1600733104	D-ST GREY				150-S-003-1-D01	N/A	SALEABLE	N/A
KEY A, BLACK, W/ CPA	1600733105	A-BLACK				150-S-003-1-A01	N/A	SALEABLE	N/A
KEY B, LT GREY, W/ CPA	1600733106	B-LT GREY				150-S-003-1-B01	N/A	SALEABLE	N/A
KEY C, DK GREY, W/ CPA	1600733107	C-DK GREY				150-S-003-1-C01	N/A	SALEABLE	N/A
KEY D, ST GREY, W/ CPA	1600733108	D-ST GREY				150-S-003-1-D01	N/A	SALEABLE	N/A
KEY A, BLACK, W/O CPA	1600733109	A-BLACK				N/A	150-S-003-1-A02	SALEABLE	N/A
KEY B, LT GREY, W/O CPA	1600733110	B-LT GREY				N/A	150-S-003-1-B02	SALEABLE	N/A
KEY C, DK GREY, W/O CPA	1600733111	C-DK GREY				N/A	150-S-003-1-C02	SALEABLE	N/A
KEY D, ST GREY, W/O CPA	1600733112	D-ST GREY				N/A	150-S-003-1-D02	SALEABLE	N/A
KEY A, BLACK, W/ CPA	1600733113	A-BLACK				N/A	150-S-003-1-A02	SALEABLE	N/A
KEY B, LT GREY, W/ CPA	1600733114	B-LT GREY				N/A	150-S-003-1-B02	SALEABLE	N/A
KEY C, DK GREY, W/ CPA	1600733115	C-DK GREY				N/A	150-S-003-1-C02	SALEABLE	N/A
KEY D, ST GREY, W/ CPA	1600733116	D-ST GREY				N/A	150-S-003-1-D02	SALEABLE	N/A
KEY B, BLACK, W/O CPA	1600733117	B-BLACK				150-S-003-1-B01	N/A	SALEABLE	N/A
KEY D, BLACK, W/O CPA	1600733118	D-BLACK				N/A	150-S-003-1-D02	SALEABLE	N/A
KEY B, BLACK, W/ CPA	1600733119	B-BLACK				150-S-003-1-B01	N/A	SALEABLE	N/A

ASSEMBLY MATERIALS			
ITEM	DESCRIPTION	COLOR	RECYCLE CODE
1	RECEPTACLE HOUSING	SEE CHART	PA6 GF40 (FOR 160073 SERIES)
2	TPA	NATURAL	PBT-GF30
3	CPA	RED	PBT-GF30
4	PERIMETER SEAL	BLUE	SILICON 50 DUROMETER

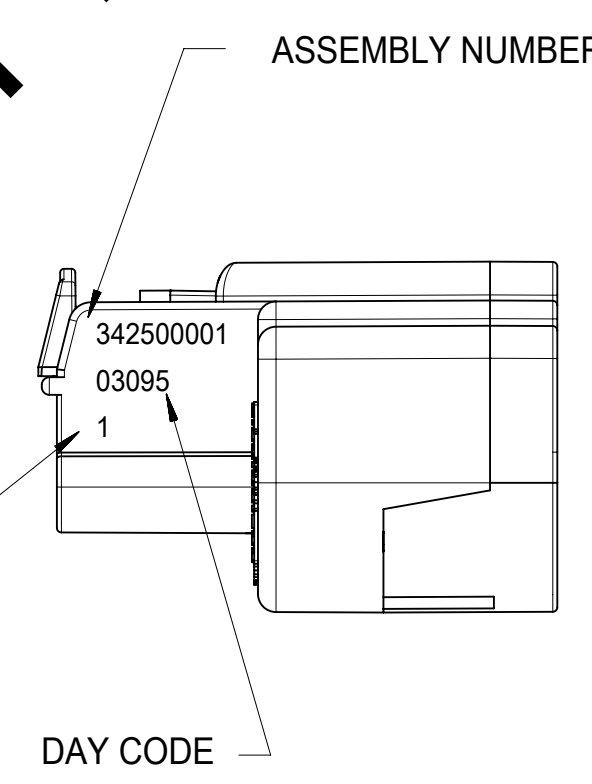
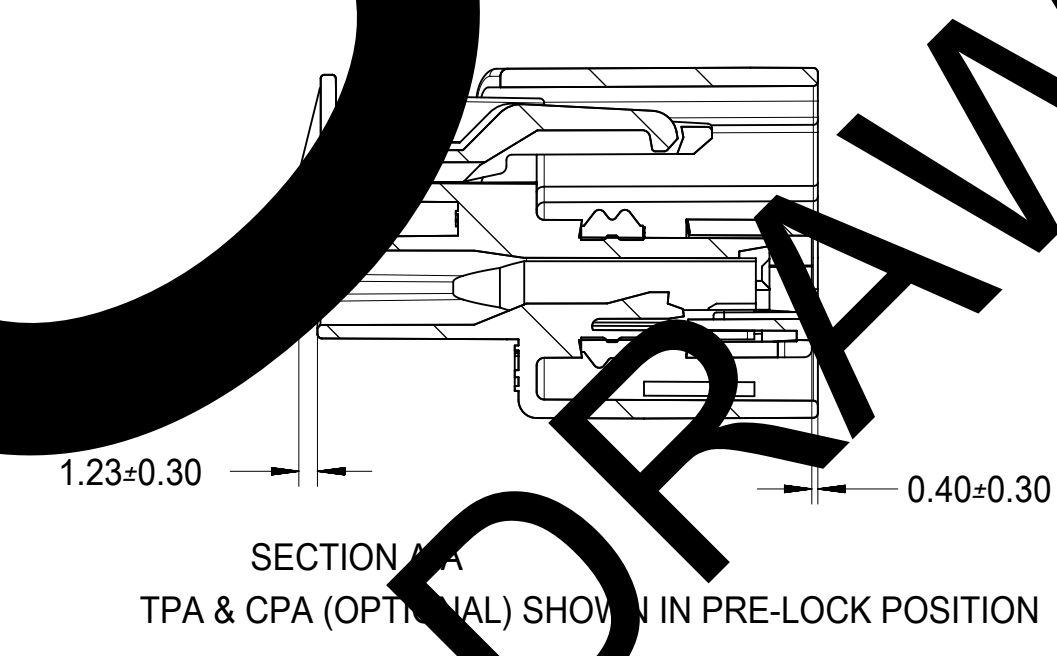
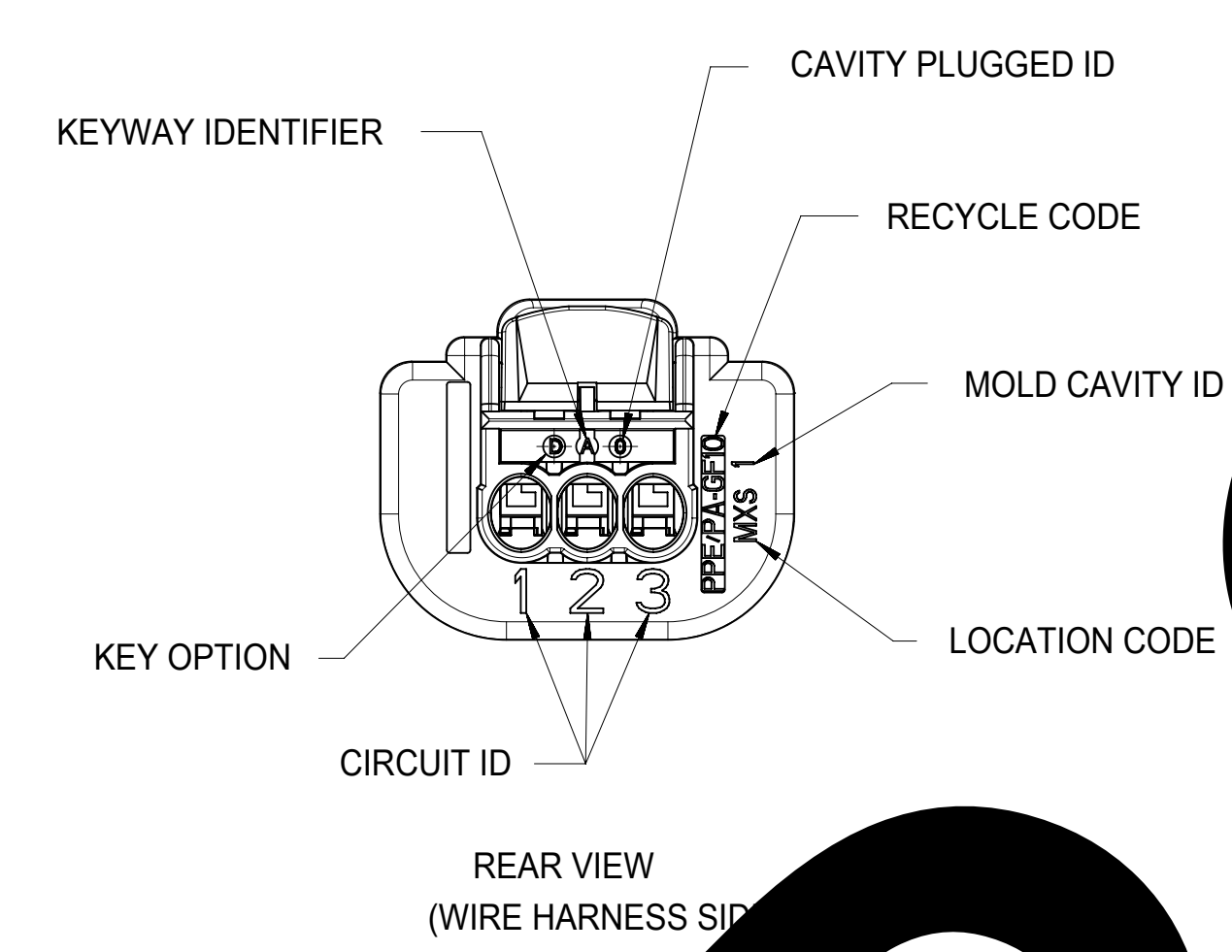
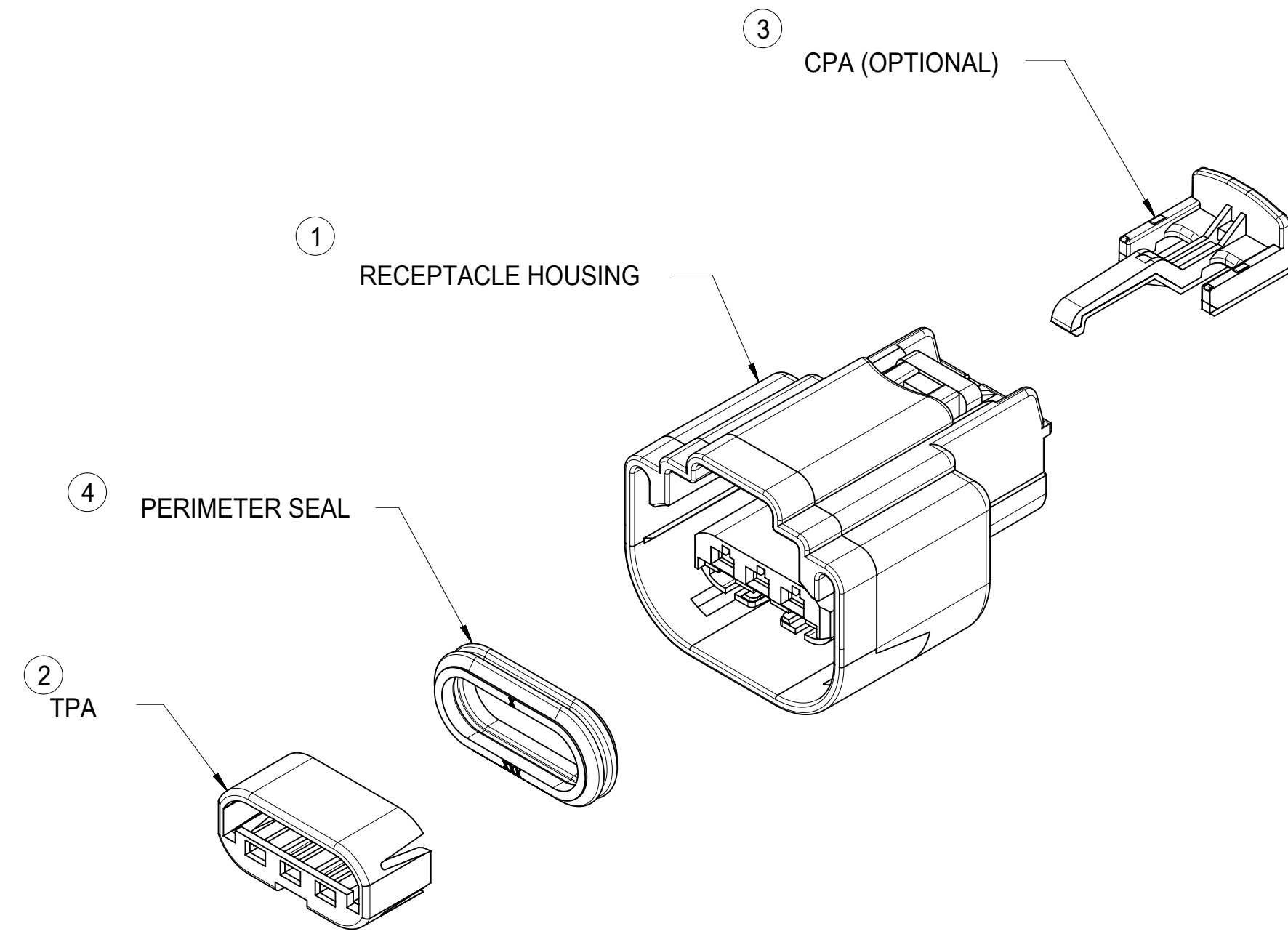
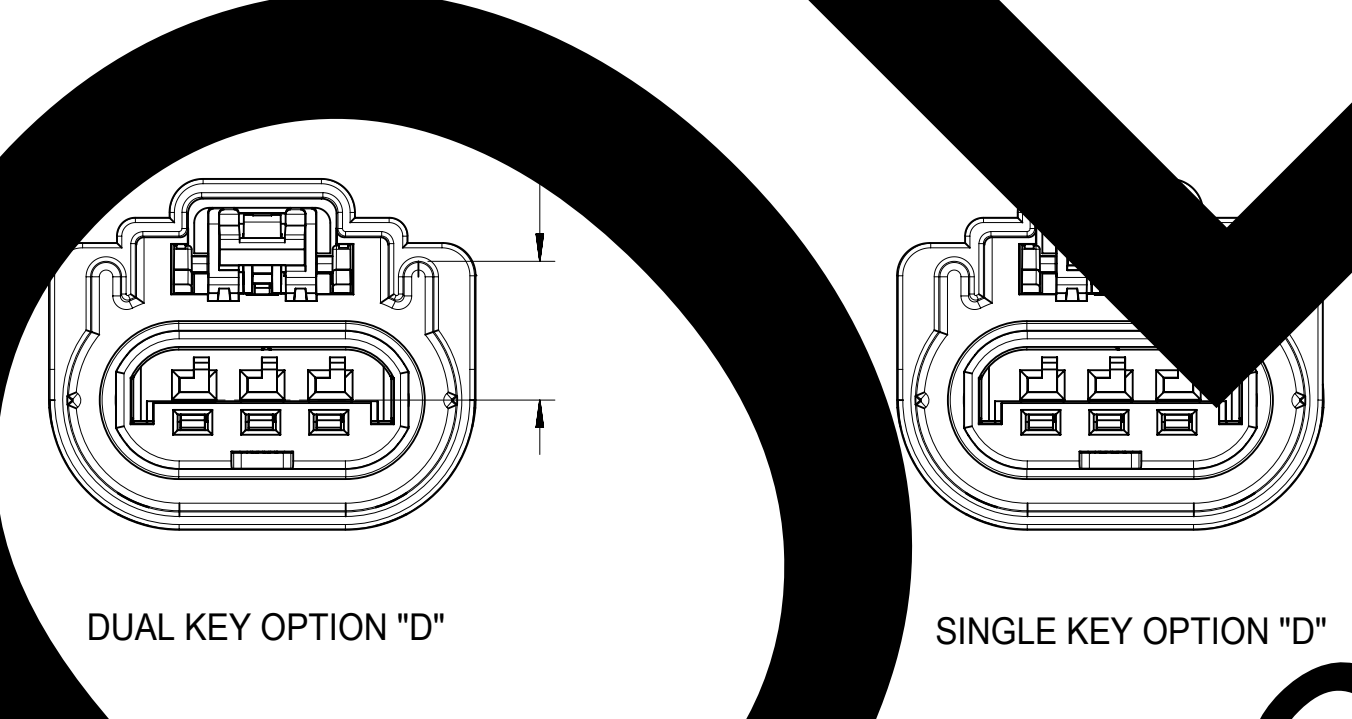
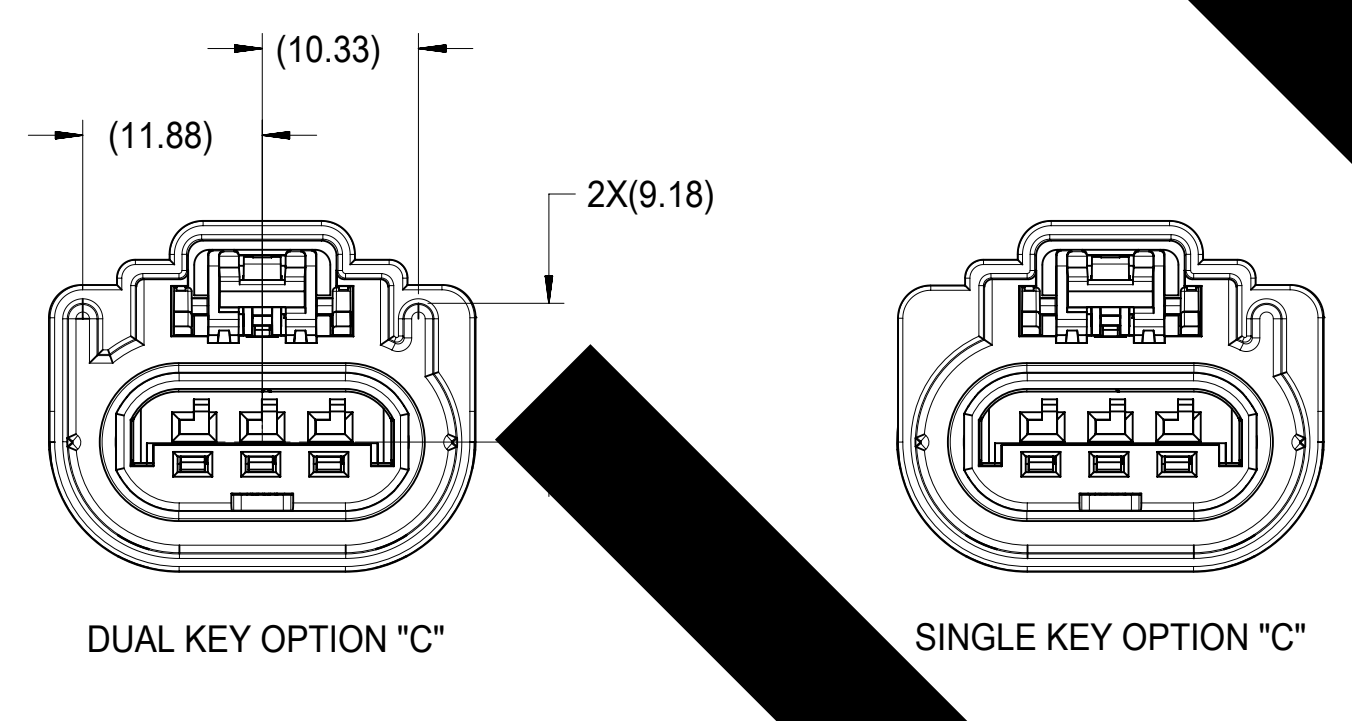
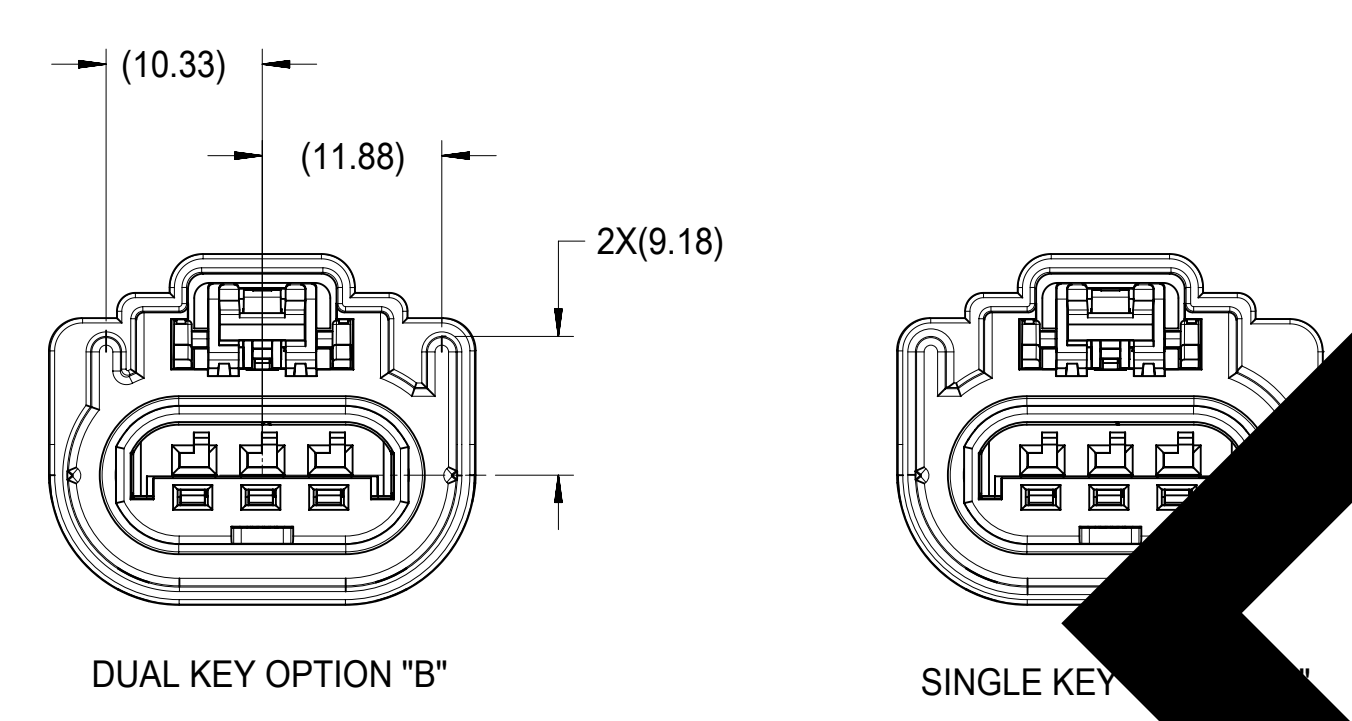
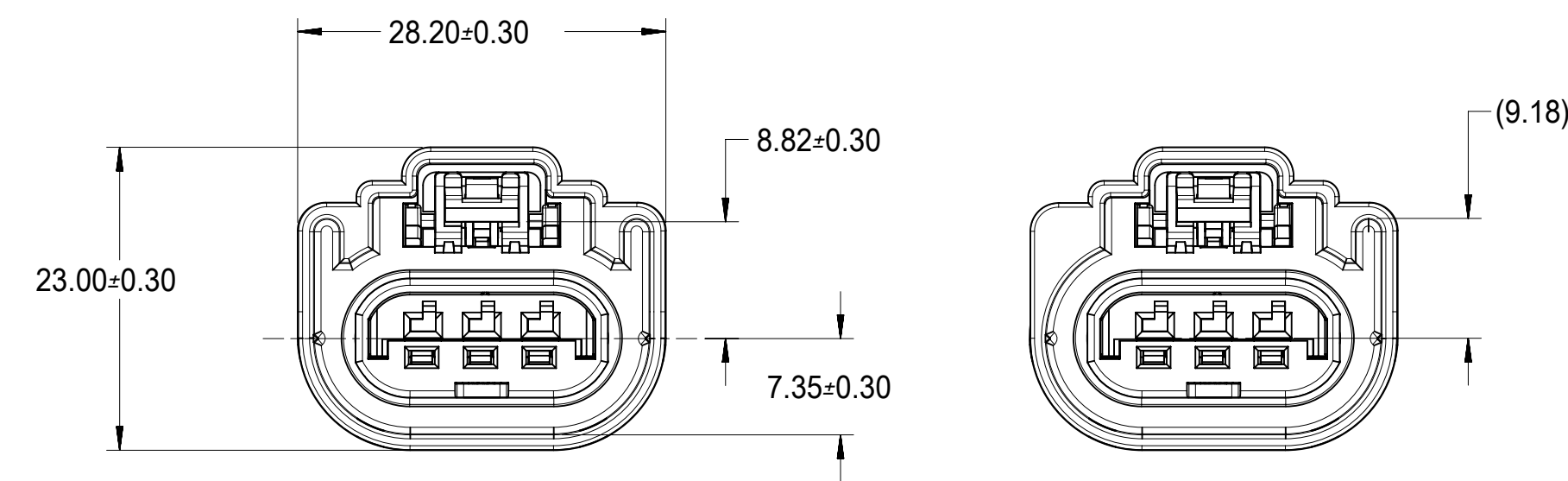
SYMBOLS = 0 = 0 = 0 = 0 = 0 = 0 = 0 = 0 = 0	THIS DRAWING CONTAINS INFORMATION THAT IS PROPRIETARY TO MOLEX ELECTRONIC TECHNOLOGIES, LLC AND SHOULD NOT BE USED WITHOUT WRITTEN PERMISSION DIMENSION UNITS: mm SCALE: 1:1	CURRENT REV DESC: EC NO: 171123 DRWN: PXU25 2017/12/26 CHK'D: KBORUSZEWSKI 2018/01/26 APPR: MVANSLAMBROU 2018/02/02	 RECEPTACLE ASSEMBLY 3-WAY USCAR CONNECTOR 1.5MM CABLE SEAL		
	GENERAL TOLERANCES (UNLESS SPECIFIED) ANGULAR TOL ± 3.0° 4 PLACES ± 3 PLACES ± 2 PLACES ± 0.1 1 PLACE ± 0.3 0 PLACES ±	DRAFT WHERE APPLICABLE MUST REMAIN WITHIN DIMENSIONS	INITIAL REVISION: DRWN: CYMA 2016/07/20 APPR: KDEKOSKI 2017/02/08	PRODUCT CUSTOMER DRAWING DOCUMENT NUMBER: SD-160073-001 DOC TYPE: PSD DOC PART: 001 REVISION: R	MATERIAL NUMBER: 160073 CUSTOMER: GENERAL MARKET SHEET NUMBER: 5 OF 6

TERMINAL AND CABLE SEAL

22	34083-2003	RIGHT	TIN	22	E-1644-01	1.19-1.65	PINK	
22	34083-3003	LEFT	TIN	22				
22	34081-2005	RIGHT	GOLD	22				
22	34081-3005	LEFT	GOLD	22	E-1644-00	1.60-2.10	GREEN	
20	34083-2002	RIGHT	TIN	18/20				
20	34083-3002	LEFT	TIN	18/20				
20	34081-2004	RIGHT	GOLD	18/20				
20	34081-3004	LEFT	GOLD	18/20				
18	34083-2002	RIGHT	TIN	18/20				
18	34083-3002	LEFT	TIN	18/20	E-1644-02	2.10-2.50	YELLOW	
18	34081-2004	RIGHT	GOLD	18/20				
18	34081-3004	LEFT	GOLD	18/20				
16	34083-2001	RIGHT	TIN	16	E-1644-02	2.10-2.50	YELLOW	
16	34083-3001	LEFT	TIN	16				
16	34081-2003	RIGHT	GOLD	16				
16	34081-3003	LEFT	GOLD	16	QSR P/N	WIRE OD RANGE	COLOR	
AWG	PART NUMBER	PAYOFF DIRECTION	PLATING	GRIP				CABLE SEAL (QSR)
WIRE SIZE								
TERMINAL *PREFERRED* (SEE NOTE 5 FOR OPTIONAL TERMINALS)								

SYMBOLS	THIS DRAWING CONTAINS INFORMATION THAT IS PROPRIETARY TO MOLEX ELECTRONIC TECHNOLOGIES, LLC AND SHOULD NOT BE USED WITHOUT WRITTEN PERMISSION		CURRENT REV DESC:		molex			
= 0	DIMENSION UNITS	SCALE	EC NO: 171123 DRWN: PXU25 2017/12/26 CHK'D: KBORUSZEWSKI 2018/01/26 APPR: MVANSLAMBROU 2018/02/02		RECEPTACLE ASSEMBLY 3-WAY USCAR CONNECTOR 1.5MM CABLE SEAL			
= 0	mm	1:1						
= 0	GENERAL TOLERANCES (UNLESS SPECIFIED)				PRODUCT CUSTOMER DRAWING			
= 0	ANGULAR TOL	± 3.0°						
= 0	4 PLACES	±	INITIAL REVISION: DRWN: CYMA 2016/07/20 APPR: KDEKOSKI 2017/02/08		DOCUMENT NUMBER	DOC TYPE	DOC PART	REVISION
= 0	3 PLACES	±			SD-160073-001	PSD	001	R
= 0	2 PLACES	± 0.1	DRAFT WHERE APPLICABLE MUST REMAIN WITHIN DIMENSIONS		MATERIAL NUMBER	CUSTOMER	SHEET NUMBER	
= 0	1 PLACE	± 0.3			A1-SIZE	160073	GENERAL MARKET	6 OF 6
= 0	0 PLACES	±	THIRD ANGLE PROJECTION		DRAWING SERIES		MATERIAL NUMBER	
= 0								

AWG	PART NUMBER	PAYOFF DIRECTION	PLATING	GRIP	QSR P/N	WIRE OD RANGE	COLOR
22	34083-2003	RIGHT	TIN	22	E-1644-01	1.19-1.65	PINK
22	34083-3003	LEFT	TIN	22			
22	34081-2005	RIGHT	GOLD	22			
22	34081-3005	LEFT	GOLD	22			
20	34083-2002	RIGHT	TIN	18/20			
20	34083-3002	LEFT	TIN	18/20			
20	34081-2004	RIGHT	GOLD	18/20			
20	34081-3004	LEFT	GOLD	18/20	E-1644-00	1.60-2.10	GREEN
18	34083-2002	RIGHT	TIN	18/20			
18	34083-3002	LEFT	TIN	18/20			
18	34081-2004	RIGHT	GOLD	18/20			
18	34081-3004	LEFT	GOLD	18/20			
16	34083-2001	RIGHT	TIN	16			
16	34083-3001	LEFT	TIN	16	E-1644-02	2.10-2.50	YELLOW
16	34081-2003	RIGHT	GOLD	16			
16	34081-3003	LEFT	GOLD	16			



ITEM	DESCRIPTION	COLOR	MOLEX P/N	RECYCLE CODE
1	RECEPTACLE HOUSING	SEE CHART	SEE CHART	PPE/PA GF10 (FOR 34250 SERIES) PA6 GF40 (FOR 160073 SERIES)
2	TPA	NATURAL	342520001	PBT-GF30
3	CPA	RED	340660001	PBT-GF30
4	PERIMETER SEAL	BLUE	342530001	SILICON 50 DUROMETER
		BLUE	342530002	SILICON 50 DUROMETER

REV	DESCRIPTION	DATE	BY	CHK'D	APPR	OPTION	COLOR	CPA	MATES W/ USCAR DUAL KEY	MATES W/ USCAR SINGLE KEY	STATUS
1	1600733119		B	BLACK	YES				150-S-003-1-B01	N/A	SALEABLE
2	1600733118		D	BLACK	NONE				N/A	150-S-003-1-D02	SALEABLE
3	1600733117		B	BLACK	YES				150-S-003-1-B01	N/A	SALEABLE
4	1600733116		D	BLACK	NONE				N/A	150-S-003-1-D02	SALEABLE
5	1600733115		C	BROWN	YES				N/A	150-S-003-1-C02	SALEABLE
6	1600733114		B	BLACK	YES				N/A	150-S-003-1-B02	SALEABLE
7	1600733113		C	BROWN	YES				N/A	150-S-003-1-C02	SALEABLE
8	1600733112		B	BLACK	YES				N/A	150-S-003-1-B02	SALEABLE
9	1600733111		C	BROWN	YES				N/A	150-S-003-1-C02	SALEABLE
10	1600733110		B	BLACK	YES				N/A	150-S-003-1-B02	SALEABLE
11	1600733109		C	BROWN	YES				N/A	150-S-003-1-C02	SALEABLE
12	1600733108		B	BLACK	YES				N/A	150-S-003-1-B02	SALEABLE
13	1600733107		C	BROWN	YES				N/A	150-S-003-1-C02	SALEABLE
14	1600733106		B	BLACK	YES				N/A	150-S-003-1-B02	SALEABLE
15	1600733105		C	BROWN	YES				N/A	150-S-003-1-C02	SALEABLE
16	1600733104		B	BLACK	YES				N/A	150-S-003-1-B02	SALEABLE
17	1600733103		C	BROWN	YES				N/A	150-S-003-1-C02	SALEABLE
18	1600733102		B	BLACK	YES				N/A	150-S-003-1-B02	SALEABLE
19	1600733101		C	BROWN	YES				N/A	150-S-003-1-C02	SALEABLE
20	342503068		D	BLACK	YES				N/A	150-S-003-1-D02	SALEABLE
21	342503052		D	BLACK	YES				N/A	150-S-003-1-D02	SALEABLE
22	342503051		C	BROWN	YES				N/A	150-S-003-1-C02	SALEABLE
23	342503018		B	BLACK	YES				N/A	150-S-003-1-B02	SALEABLE
24	342503017		A	BLACK	YES				150-S-003-1-A01	N/A	DESIGN CONCEPT ONLY
25	342503066		B	BLACK	YES				150-S-003-1-B01	N/A	SALEABLE
26	342503071		C	BROWN	YES				150-S-003-1-C01	N/A	SALEABLE
27	342503037		D	BLACK	YES				N/A	150-S-003-1-D02	SALEABLE
28	342503036		D	BLACK	YES				N/A	150-S-003-1-D02	SALEABLE
29	342503035		C	BROWN	YES				N/A	150-S-003-1-C02	SALEABLE
30	342503002		B	BLACK	YES				150-S-003-1-B01	N/A	SALEABLE
31	342503065		B	BLACK	YES				150-S-003-1-B01	N/A	SALEABLE
32	342503001		A	BLACK	YES				150-S-003-1-A01	N/A	SALEABLE
33	342500052		D	BLACK	YES				N/A	150-S-003-1-D02	SALEABLE
34	342500051		C	BROWN	YES				N/A	150-S-003-1-C02	SALEABLE
35	342500050		B	BLACK	YES				N/A	150-S-003-1-B02	SALEABLE
36	342500049		A	BLACK	YES				N/A	150-S-003-1-A02	DESIGN CONCEPT ONLY
37	342500048		D	BLACK	YES				N/A	150-S-003-1-D02	SALEABLE
38	342500034		C	BROWN	YES				N/A	150-S-003-1-C02	SALEABLE
39	342500033		B	BLACK	YES				N/A	150-S-003-1-B02	DESIGN CONCEPT ONLY
40	342500020		D	BLACK	YES				150-S-003-1-D01	N/A	DESIGN CONCEPT ONLY
41	342500019		C	BROWN	YES				150-S-003-1-C01	N/A	DESIGN CONCEPT ONLY
42	342500018		B	BLACK	YES				150-S-003-1-B01	N/A	SALEABLE
43	342500017		A	BLACK	YES				150-S-003-1-A01	N/A	DESIGN CONCEPT ONLY
44	342500004		D	BLACK	YES				150-S-003-1-D01	N/A	DESIGN CONCEPT ONLY
45	342500003		C	BROWN	YES				150-S-003-1-C01	N/A	DESIGN CONCEPT ONLY
46	342500002		B	BLACK	YES				150-S-003-1-B01	N/A	SALEABLE
47	342500001		A	BLACK	YES				150-S-003-1-A01	N/A	DESIGN CONCEPT ONLY

- UNLESS OTHERWISE SPECIFIED:
- PART CONFORMS TO SAE/USCAR-2 REV. 4 (05/04), EXCEPT AS FOLLOWS:
 - DESIGNED TO MATE WITH DEVICE CONNECTION AS SPECIFIED IN USCAR/EWCAP DRAWING NO 150-S-003-1-Z02. ALL OPTION A-D, REV A, DATED 10/19/99. ALSO WITH THE DEVICE CONNECTION AS SPECIFIED IN USCAR/EWCAP DRAWING NO 150-S-003-1-Z01. ALL OPTION A-D, REV D, DATED 10/15/02.
 - ASSEMBLY SHIPPED WITH TPA IN PRE-LOCK POSITION (SEE SECTION A-A PRELOCK). UPON FULL TERMINAL ASSEMBLY, TPA MUST BE SNAPPED INTO ITS FINAL LOCK POSITION AFTER TERMINALS ARE ASSEMBLED.
 - OPTIONAL CPA SHOWN IN ALL VIEWS. SEE TABLE FOR SPECIFIC ASSEMBLY OPTION AND NUMBER.
 - FOR PREFERRED TERMINALS SEE MOLEX DRAWING SD-34083-002 FOR OPTIONAL TERMINALS SEE MOLEX DRAWING SD-34083-001

QUALITY SYMBOLS	THIS DRAWING CONTAINS INFORMATION THAT IS PROPRIETARY TO MOLEX ELECTRONIC TECHNOLOGIES, LLC AND SHOULD NOT BE USED WITHOUT WRITTEN PERMISSION				
A = 0 E = 0 F = 0 G = 0 H = 0 I = 0 J = 0 K = 0 L = 0 M = 0 N = 0 O = 0 P = 0 Q = 0 R = 0 S = 0 T = 0 U = 0 V = 0 W = 0 X = 0 Y = 0 Z = 0	EC NO: 171258 DRWN: PXU25 CHKD: KBORUSZEWSKI REV APPR: KBORUSZEWSKI P2	2017/12/07 2018/01/25 2018/01/25	GENERAL TOLERANCES (UNLESS SPECIFIED) ANGULAR TOL ± ° 4 PLACES ± 3 PLACES ± 2 PLACES ± 1 PLACE ± 0 PLACES ± DRAFT WHERE APPLICABLE MUST REMAIN WITHIN DIMENSIONS	DIMENSION UNITS: mm SCALE: 1:1 DRWN BY: CYMA DATE: 2016/05/24 CHK'D BY: CHKD BY DATE: 2018/01/25 APPR BY: KBORUSZEWSKI DATE: 2018/01/25 DRAWING SIZE: E THIRD ANGLE PROJECTION:	
RECEPTACLE ASSEMBLY 3-WAY USCAR CONNECTOR 1.5MM CABLE SEAL					
PRODUCT CUSTOMER DRAWING					
SERIES: 34250		MATERIAL NUMBER: SD-34250-002		CUSTOMER: GENERAL MARKET	
DOCUMENT NUMBER: SD-34250-002		DOC TYPE: PSD		DOC PART: 000	
SHEET NUMBER: 1 OF 1					

MOLEX
SEE DRAWING SD-160073-001
LATEST REV.