

NOTES:

1. MATERIALS:

- SHIELD - DEEP DRAWN STEEL
- HOUSING - GLASS FILLED POLYMER, BLACK, UL 94V-0
- CONTACTS - COPPER ALLOY
- JACKPOST - STAINLESS STEEL
- THREADED INSERT - BRASS

2. PLATING:

- TERMINALS - SELECTIVE GOLD (Au) THICKNESS IN CONTACT AREA, 0.76 MICROMETERS/30 MICROINCHES MINIMUM, SELECTIVE MATTE TIN (Sn) THICKNESS IN PC TAIL AREA, 2.54 MICROMETERS/100 MICROINCHES MINIMUM, OVER NICKEL (Ni) UNDERPLATE OVERALL.
- SHIELD - 2.54 MICROMETERS/100 MICROINCHES MINIMUM MATTE TIN (Sn) OVER 1.27 MICROMETERS/50 MICROINCHES MINIMUM NICKEL (Ni) OVER COPPER (Cu) UNDERPLATE OVERALL.

3. PC SMT TAILS AND 2 GROUND TABS ARE TO BE COPLANAR WITHIN 0.127/0.005.

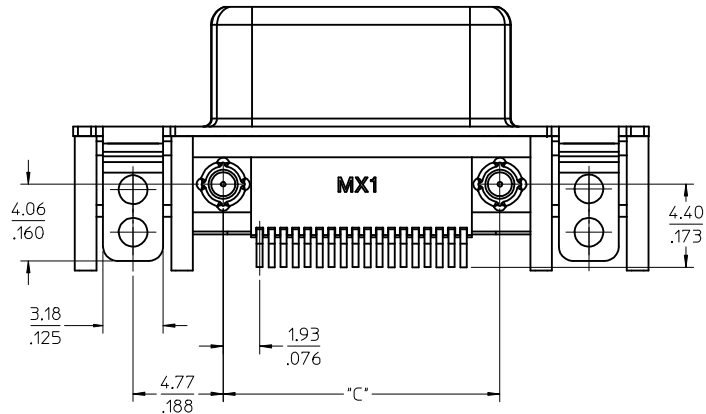
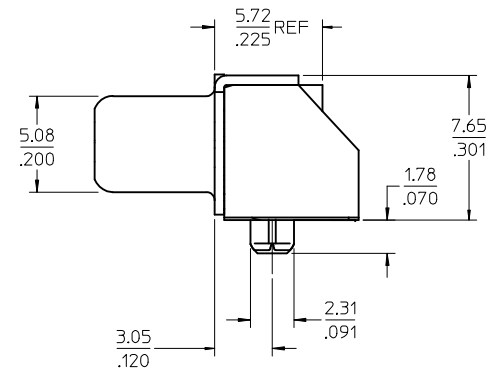
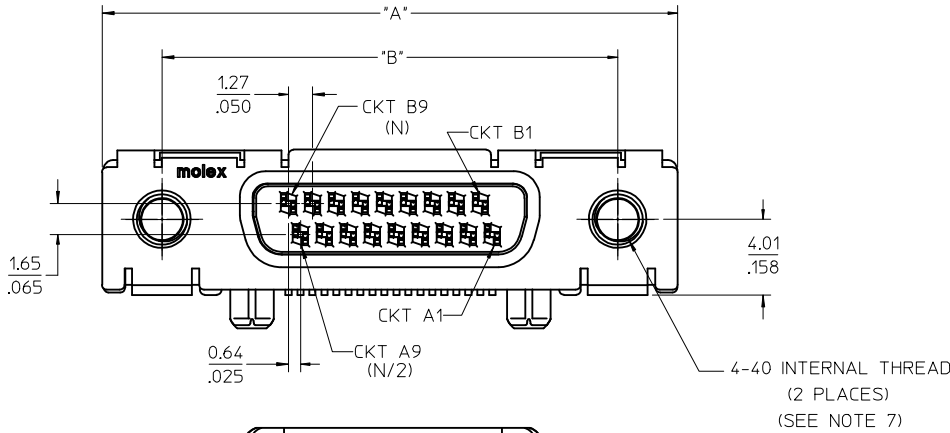
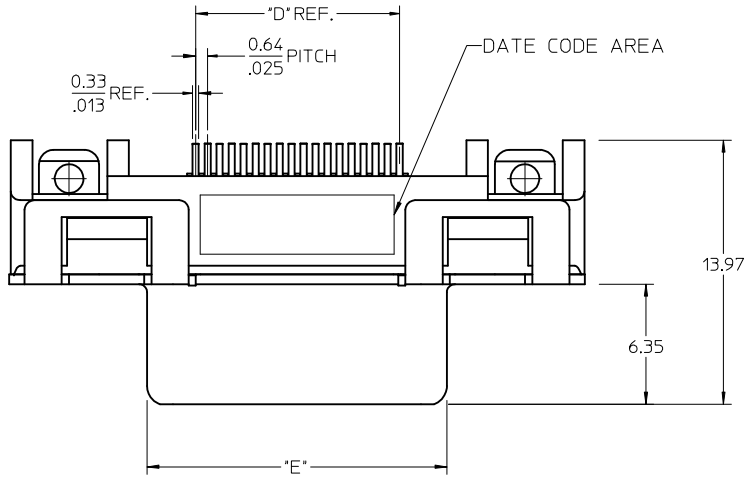
4. PARTS TO BE PACKAGED IN TAPE AND REEL. SEE CHART ON SHEET 2 FOR PACKAGING SPECIFICATION.

5. REFER TO SHEET 2 FOR RECOMMENDED PCB LAYOUT AND PANEL CUT-OUT.

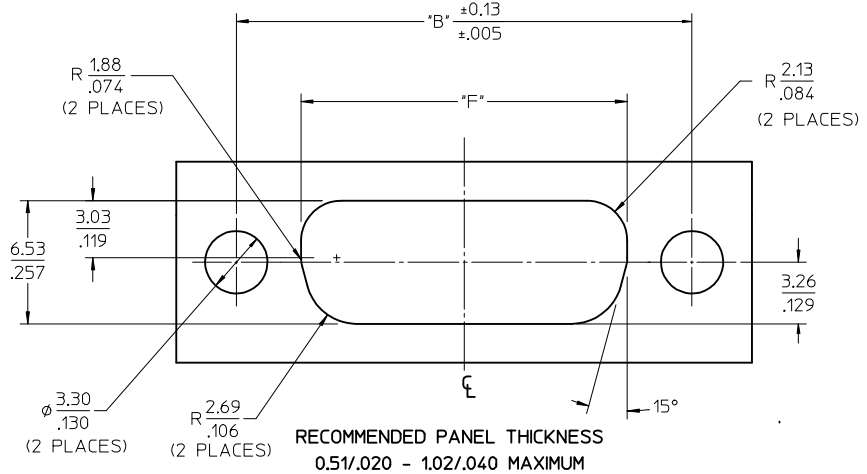
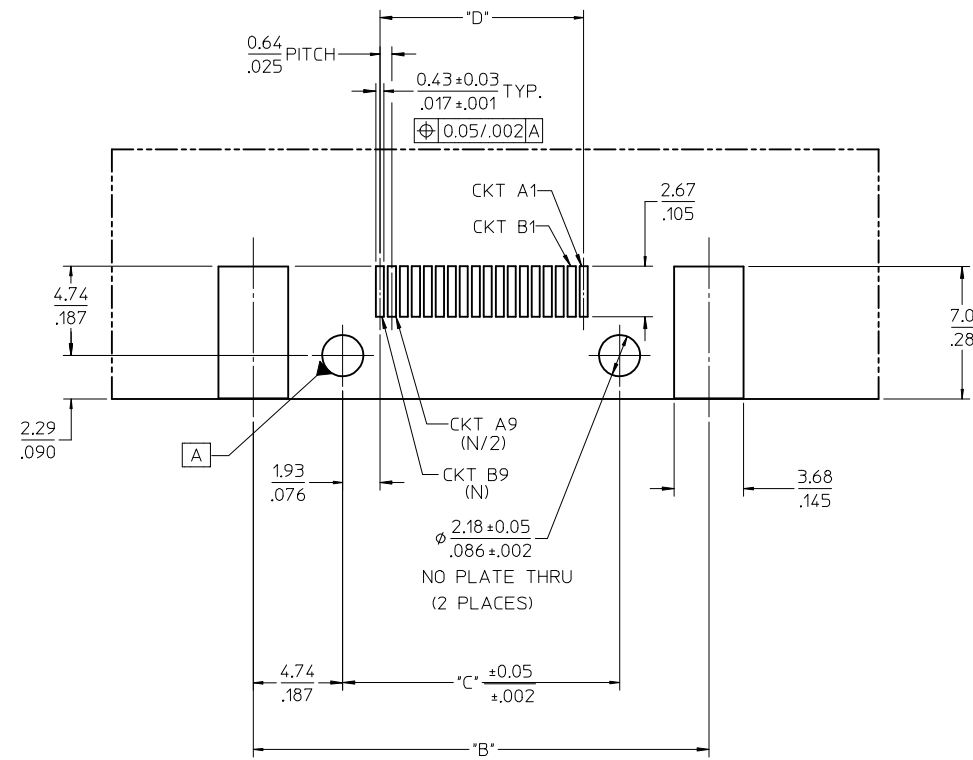
6. PRODUCT CONFORMS TO MOLEX PRODUCT SPECIFICATION PS-74960-000.

7. REFER TO AS-74960-100 FOR APPLICATION SPECIFICATION.

8. FOR TDP RECEPTACLE WITH M3 INTERNAL THREAD OPTION CONTACT PRODUCT MARKETING.



MOD JACKPOST NUMBER EC NO: UCP2015-1626 DRWNT: IBARRA 2014/10/20 CHKD: MORGAN 2014/10/20 APPR: SMILLER 2014/11/12	QUALITY SYMBOLS ▽=0 ▽=0 ▽=0	GENERAL TOLERANCES (UNLESS SPECIFIED)		DIMENSION STYLE MM ONLY		SCALE 5:1	DESIGN UNITS METRIC	THIRD ANGLE PROJECTION	
		4 PLACES ± .127 ± .127		DRAWN BY DATE JJANTELEZIO 2011/04/04		TITLE TDP SMT ASSEMBLY WITH ENHANCED SHELL			
		3 PLACES ± .127 ± .127		CHECKED BY DATE KREGNIER 2011/04/04		molex RSD-74960-011			
		2 PLACES ± 0.25 ± .127		APPROVED BY DATE MBANAKIS 2011/04/06					
1 PLACE ± 0.38 ± .127		ANGULAR ±1/2°		MATERIAL NO. SEE TABLE		DOCUMENT NO. RSD-74960-011			
0 PLACE ± .127 ± .127		DRAFT WHERE APPLICABLE MUST REMAIN WITHIN DIMENSIONS		SIZE C		THIS DRAWING CONTAINS INFORMATION THAT IS PROPRIETARY TO MOLEX INCORPORATED AND SHOULD NOT BE USED WITHOUT WRITTEN PERMISSION			



NOT TOOLED	MATERIAL NUMBER	CIRCUIT SIZE	*A* DIMENSION	*B* DIMENSION	*C* DIMENSION	*D* DIMENSION	*E* DIMENSION	*F* DIMENSION	PACKAGING SPECIFICATION	
	74960-4018	18	30.48 1.200	24.13 .950	14.66 .577	10.80 .425	15.87 .625	17.27 .680	PK-74960-995	
	74960-4028	28	36.83 1.450	30.48 1.200	21.01 .827	17.15 .675	22.17 .873	23.62 .930	PK-74960-995	
X	74960-4038	38	43.18 1.700	36.83 1.450	27.36 1.077	23.50 .925	28.52 1.123	29.97 1.180	N/A	CONTACT PRODUCT MARKETING
	74960-4048	48	49.53 1.950	43.18 1.700	33.71 1.327	29.85 1.175	34.87 1.373	36.32 1.430	PK-74960-996	
X	74960-4072	72	64.77 2.550	58.42 2.300	48.95 1.927	45.09 1.775	50.11 1.973	51.56 2.030	N/A	CONTACT PRODUCT MARKETING

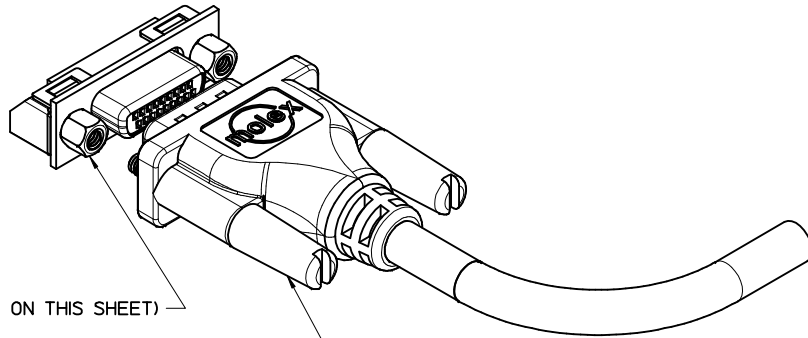
NOTES:

- ALL DIMENSIONS ON THIS SHEET ARE ±0.13/0.005 TOLERANCE UNLESS OTHERWISE SPECIFIED.
- DIMENSIONS SHOWN ABOUT A CENTERLINE ARE SYMMETRICAL ABOUT THAT CENTERLINE WITHIN HALF THE SPECIFIED TOLERANCE.

SEE SHEET 1 EC NO: UCP2015-1626 DRWNT:IBARRA 2014/10/20 CHKD:DMORGAN 2014/10/20 APPR:SMILLER 2014/11/12	QUALITY SYMBOLS	GENERAL TOLERANCES (UNLESS SPECIFIED)	DIMENSION STYLE MM ONLY	SCALE 5:1	DESIGN UNITS METRIC	THIRD ANGLE PROJECTION
	▽=0	mm INCH	DRAWN BY DATE	TITLE		
	▽=0	4 PLACES ± --- ± ---	JJANTELEZIO 2011/04/04	TDP SMT ASSEMBLY WITH ENHANCED SHELL		
	▽=0	3 PLACES ± --- ± ---	CHECKED BY DATE	molex DOCUMENT NO. RSD-74960-011 SHEET NO. 2 OF 3		
	2 PLACES ± 0.25 ± ---	KREGNIER 2011/04/04				
	1 PLACE ± 0.38 ± ---	APPROVED BY DATE	THIS DRAWING CONTAINS INFORMATION THAT IS PROPRIETARY TO MOLEX INCORPORATED AND SHOULD NOT BE USED WITHOUT WRITTEN PERMISSION			
	0 PLACE ± ±	MBANAKIS 2011/04/06				
		ANGULAR ±1/2°	MATERIAL NO.			
		DRAFT WHERE APPLICABLE MUST REMAIN WITHIN DIMENSIONS	SEE TABLE			

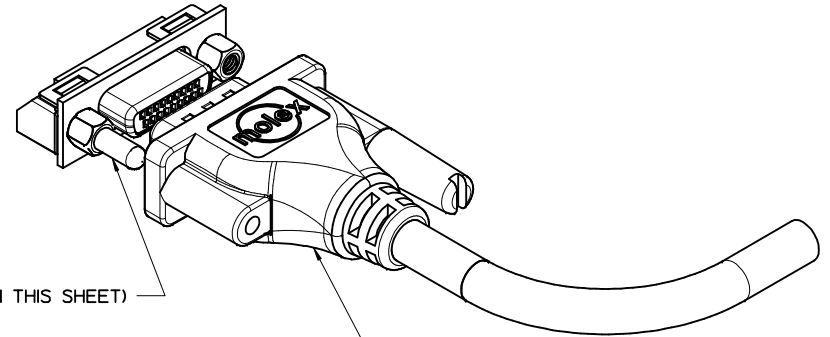
STANDARD CONFIGURATION

OPTIONAL CONFIGURATION



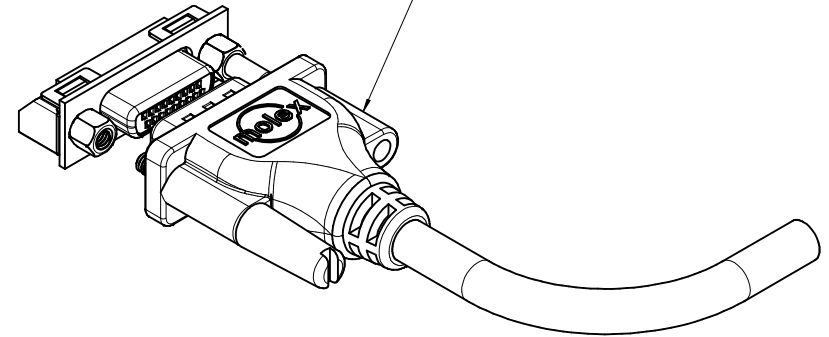
(SEE NOTE 1 ON THIS SHEET)

SEE SALES DRAWING SD-74576-000 FOR STANDARD CABLE PART NUMBER



(SEE NOTE 2 ON THIS SHEET)

SEE SALES DRAWING SD-74576-0300 FOR OPTIONAL CABLE PART NUMBER



RECOMMENDED JACKPOST INTERNAL THREAD OPTIONS (SEE NOTE 1 ON THIS SHEET)		OPTIONAL JACKPOST POLARIZATION HARDWARE (SEE NOTE 2 ON THIS SHEET)
4-40	M3	
74962-1000	74962-2000	74962-0100

4-40 THREAD INTERNAL THREAD	4-40 THREAD

1. RECOMMENDED JACK POST MOUNTING HARDWARE (QTY 2 PER ASSEMBLY), SEE CHART FOR ITEM NUMBERS AND SALES DRAWING SD-74962-000.
2. OPTIONAL JACK POST POLARIZATION HARDWARE,(QTY 1 PER ASSEMBLY), SEE CHART FOR ITEM NUMBER AND SALES DRAWING SD-74962-100.

SEE SHEET 1 EC NO: UCP2015-1626 DRW:NTIBARRA 2014/10/20 CHKD:DMORGAN 2014/10/20 APPR:SMILLER 2014/11/12	QUALITY SYMBOLS	GENERAL TOLERANCES (UNLESS SPECIFIED)	DIMENSION STYLE MM ONLY	SCALE 4:1	DESIGN UNITS METRIC	THIRD ANGLE PROJECTION	
	DESCRIPTION ▽=0 ▽=0 ▽=0		mm INCH	DRAWN BY DATE JJANTELEZIO 2011/04/04	TITLE TDP SMT ASSEMBLY WITH ENHANCED SHELL	molenx	DOCUMENT NO. RSD-74960-011
		4 PLACES ± --- ± ---	DRAWN BY DATE KREGNIER 2011/04/04				
		3 PLACES ± --- ± ---	CHECKED BY DATE MBANAKIS 2011/04/06				
2 PLACES ± 0.25 ± ---		APPROVED BY DATE					
1 PLACE ± 0.38 ± ---	MATERIAL NO.	ANGULAR ±1/2°	SEE TABLE	SHEET NO. 3 OF 3			
0 PLACE ± ±	DRAFT WHERE APPLICABLE MUST REMAIN WITHIN DIMENSIONS	SIZE	THIS DRAWING CONTAINS INFORMATION THAT IS PROPRIETARY TO MOLEX INCORPORATED AND SHOULD NOT BE USED WITHOUT WRITTEN PERMISSION				