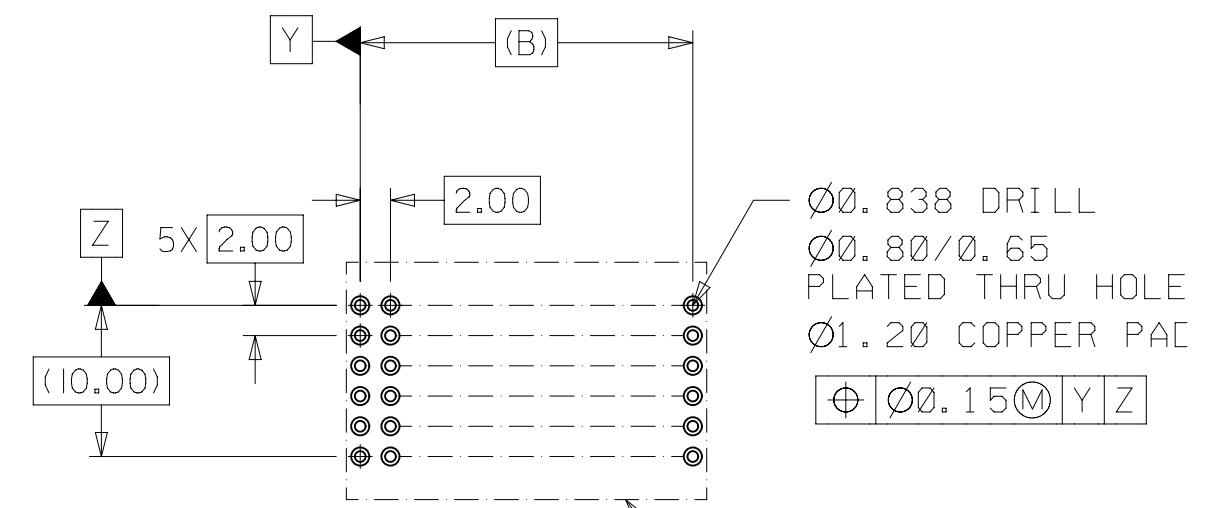
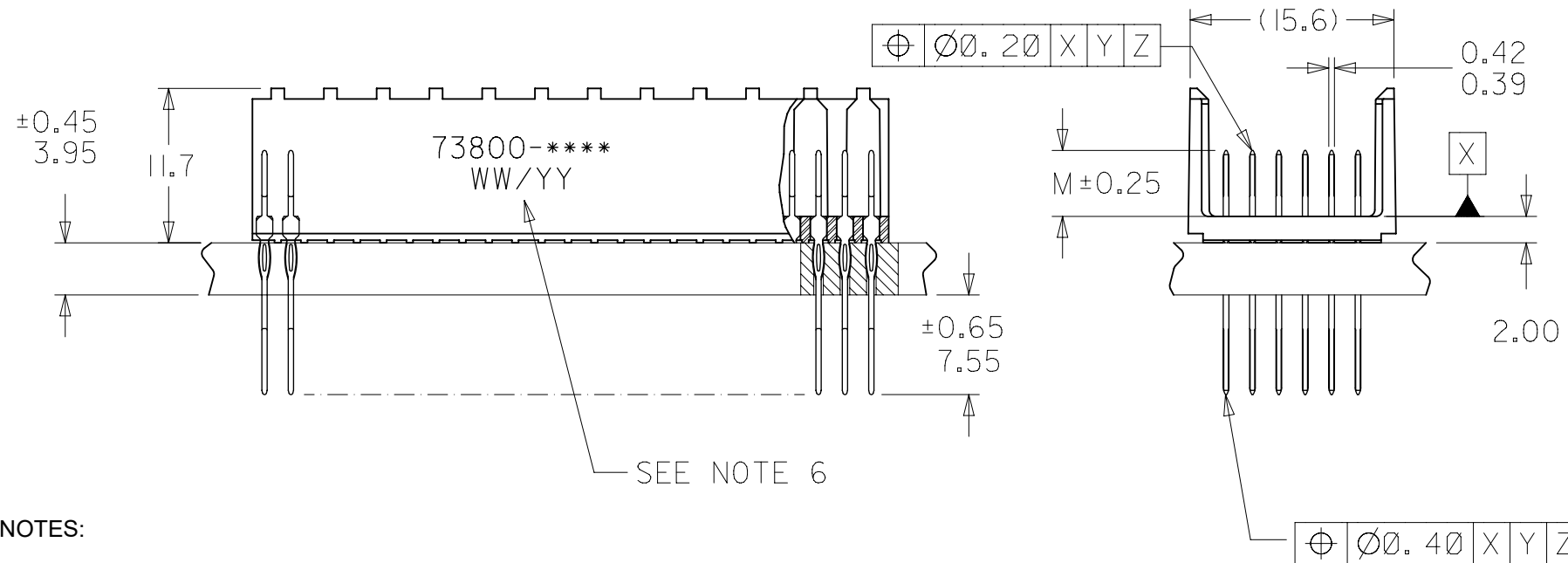


MATERIAL NUMBER	NUMBER OF CONTACTS	DIM "A"	DIM "B"	DIM "M"	PLATING
73800-0000	72	23.84	22.00	5.00	GOLD/GOLD FLASH
73800-0200	72	23.84	22.00	6.00	GOLD/GOLD FLASH
73800-1000	144	47.84	46.00	5.00	GOLD/GOLD FLASH
73800-1200	144	47.84	46.00	6.00	GOLD/GOLD FLASH
73800-2000	72	23.84	22.00	5.00	*GOLD/MATTE TIN
73800-2200	72	23.84	22.00	6.00	*GOLD/MATTE TIN
73800-3000	144	47.84	46.00	5.00	*GOLD/MATTE TIN
73800-3200	144	47.84	46.00	6.00	*GOLD/MATTE TIN

***FORMERLY TIN/LEAD**



PCB LAYOUT: COMPONENT SIDE
RECOMMENDED PCB THICKNESS: 3.95±0.45

NOTES:

- MATERIALS:** HOUSING - LIQUID CRYSTAL POLYMER (LCP)
GLASS-FILLED, UL 94V-0, COLOR: BLACK.
TERMINAL - PHOSPHOR BRONZE.
- FINISH:** SELECTIVE GOLD (Au) IN CONTACT AREA, 0.76 MICROMETERS MINIMUM THICKNESS;
NICKEL (Ni) AND GOLD FLASH OVERALL.
SELECTIVE GOLD (Au) IN CONTACT AREA, 0.76 MICROMETERS MINIMUM THICKNESS;
SELECTIVE MATTE TIN (Sn) ON IN TAIL AREA.
NICKEL (Ni) OVERALL.
- THIS PART CONFORMS TO MOLEX PRODUCT SPECIFICATION PS-73780-9999.
- FOR MIXED CONTACT MATING LENGTHS, CONSULT FACTORY FOR AVAILABILITY.
- PACKAGE PER 70873-0818.
- PARTS MARKED WITH PART NUMBER AND DATE CODE ON EITHER SIDE, APPROXIMATELY WHERE SHOWN.

THIS DRAWING CONTAINS INFORMATION THAT IS PROPRIETARY TO MOLEX ELECTRONIC TECHNOLOGIES, LLC AND SHOULD NOT BE USED WITHOUT WRITTEN PERMISSION											
DIMENSION UNITS		SCALE		CURRENT REV DESC: REACTIVATED DRAWING						molex	
mm		2:1									
GENERAL TOLERANCES (UNLESS SPECIFIED)				EC NO: 688537		2021/11/30		SALES ASSEMBLY HDM DOUBLE END MIDPLANE OPEN END OPTION			
				DRWN: AKUMAR19		2021/12/10					
4 PLACES ±				CHK'D: JMENDOZA01		2021/12/10		PRODUCT CUSTOMER DRAWING			
3 PLACES ±				APPR: JMENDOZA01		2021/12/10					
2 PLACES ± 0.05				INITIAL REVISION:				DOCUMENT NUMBER			
1 PLACE ± 0.1				DRWN: RWHIPPLE		2013/02/05					
0 PLACES ±				APPR: SMILLER		2013/08/05					
ANGULAR TOL ± 0.5°				THIRD ANGLE PROJECTION		DRAWING		SERIES		MATERIAL NUMBER	
DRAFT WHERE APPLICABLE MUST REMAIN WITHIN DIMENSIONS				B-SIZE		73800		SEE TABLE		CUSTOMER	
								GENERAL MARKET		SHEET NUMBER	
										1 OF 1	