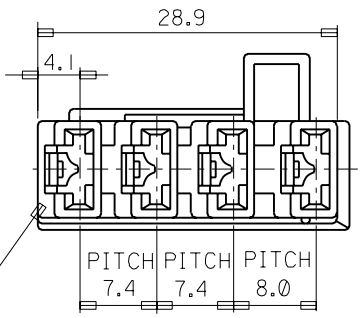
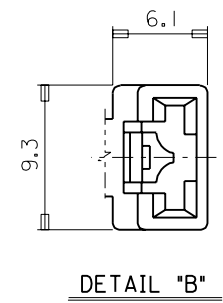
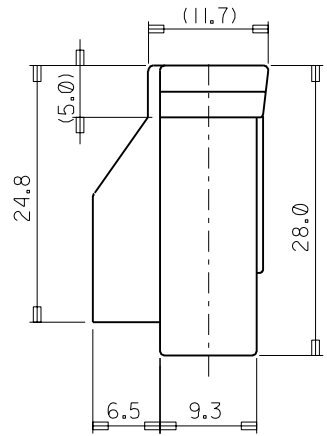
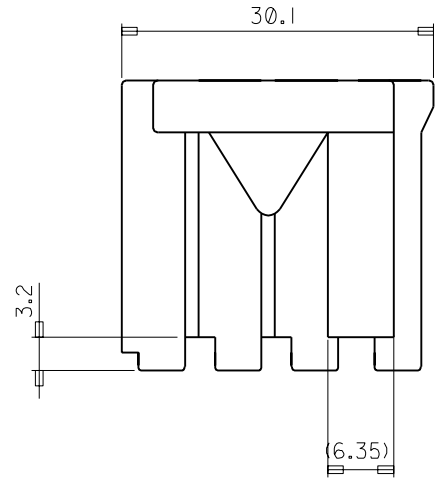
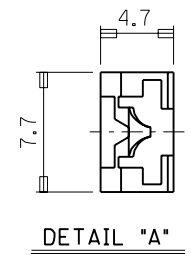
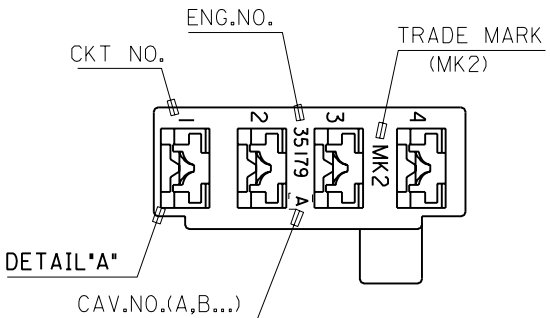


DWG. NO. SD-35179-002  
 PROJECT NO. SIMILAR ITEM  
 DO NOT SCALE DRAWING DIMENSION IN METRIC



NOTES

- MATERIA : POLYESTER(PBT) , UL94V-0
- APPLICABLE TERMINALS : 35725-40\*0  
35725-41\*0  
35725-42\*0
- APPLICATION : DEFROST TIMER

REVISED	ECN NO. KOR2002-0061 DRWN: W.Y.YANG 02/01/14	QUALITY SYMBOLS MAJOR CRITICAL	GENERAL TOLERANCES: (UNLESS SPECIFIED)		SCALE 2:1	DESIGN UNITS <input checked="" type="checkbox"/> mm <input type="checkbox"/> INCH	THIRD ANGLE PROJECTION	DIMENSIONS: <input type="checkbox"/> mm <input type="checkbox"/> INCH <input checked="" type="checkbox"/> mm ONLY	SHT	REV
			4 PLACES ±0.	mm	INCH	DRAWN BY & DATE W.Y.YANG 94/12/01	TITLE: <b>.250 W/B HOUSING-4P</b>			REVISE ON CAD ONLY
DI	CHK: APPR:	DESCRIPTION REV	3 PLACES ±0.			CHECKED BY & DATE B.K.CHOI 94/12/01	MOLEX INCORPORATED			
			2 PLACES ±0.30			APPROVED BY & DATE C.W.LEE 94/12/01	CAD FILENAME S35179AB.DGN	MATERIAL NO. 351790480	DRAWING NO. SD-35179-002	SHEET NO. 1 OF 1
			1 PLACE ±0.30			DRAFT WHERE APPLICABLE MUST REMAIN WITHIN DIMENSIONS			THIS DRAWING CONTAINS INFORMATION THAT IS PROPRIETARY TO MOLEX INCORPORATED AND SHOULD NOT BE USED WITHOUT WRITTEN PERMISSION.	