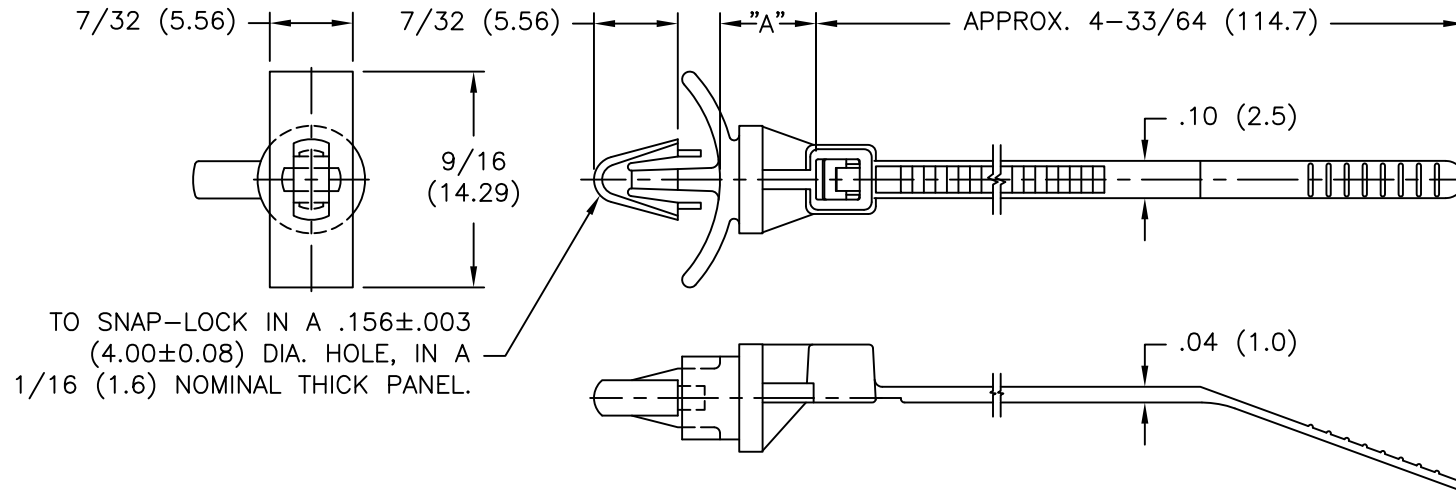


PART NO.	DIM. "A"
WIT-18R1A-4-01-M	1/4"(6.4)



NOTES:

1. MATERIAL: NYLON 6/6 (RMS-01), NATURAL.
UV STABILIZED NYLON (RMS-46), BLACK.
BY SPECIAL ORDER.
FLAME RETARDANT NYLON (RMS-75), NATURAL.
BY SPECIAL ORDER.
2. MIN. LOOP TENSILE: 18 LBS (80 NEWTONS).
3. MAX. BUNDLE DIAMETER: 3/4 (19.1).
4. THE SUFFIX "-M" IS FOR PACKAGING OF 1000 PCS

E SEE CO 200661 FOR CHANGES SK 05.12.11			TITLE: SELF MOUNT WRAP-IT-TIES				DWG IN IN (MM)		FINAL		QR
D SEE CO 200557 FOR CHANGES SK 07.19.10			FILE # WIT-18R1A		DWN: S.M.		APP:				
C SEE CO 200134 FOR CHANGES SK 02.28.08			MAT'L: SEE NOTES		DT: 03/15/01		DT:		PART #		
B COMPLETELY RE-DRAWN; NEW NOTES AND CHANGED FILE NO. SM 03.15.01			RE: RICHCO, INC.		RICHCO INC. PO BOX 804238, CHICAGO, 60680		(773) 539-4060		SEE TABLE		
A DIM(4.75±.08) WAS (4.75±.8) J.L. 6/10/99			TOLERANCES UNLESS NOTED .XX=±.010 .XXX=±.005 FRAC=±1/64 ANG=±1°						PRINT TYPE		
REV DESCRIPTION ENGR DATE									CA		