

THIS DRAWING IS THE PROPERTY OF ANALOG DEVICES INC. IT IS NOT TO BE REPRODUCED OR COPIED, IN WHOLE OR IN PART, OR USED IN FURNISHING INFORMATION TO OTHERS, OR FOR ANY OTHER PURPOSE DETRIMENTAL TO THE INTERESTS OF ANALOG DEVICES. THE EQUIPMENT SHOWN HEREON MAY BE PROTECTED BY PATENTS OWNED OR CONTROLLED BY ANALOG DEVICES.

JUMPER TABLE		
JP#	ON	OFF
1		
2		
3		
4		
5		

REVISIONS			
REV	DESCRIPTION	DATE	APPROVED
A	INITIAL RELEASE	03JAN19	A. SERQUINA
B	AS PER ECR-086560	03MAY19	J. VIERNES

RELAY CONTROL CHART

CONTROL	CODE	DEVICE	FUNCTION	CONNECTOR

* SEE ASSEMBLY INSTRUCTIONS

P.O SPEC.	BK/BD SPEC.	SOCKET OEM	OEM PART#	HANDLER
-----------	-------------	------------	-----------	---------

<table border="1" style="width:100%; border-collapse: collapse;"> <tr><td>TEMPLATE ENGINEER</td><td>DATE</td></tr> <tr><td>-</td><td> </td></tr> <tr><td>HARDWARE SERVICES</td><td> </td></tr> <tr><td>-</td><td> </td></tr> <tr><td>HARDWARE SYSTEMS</td><td> </td></tr> <tr><td>-</td><td> </td></tr> <tr><td>TEST ENGINEER</td><td> </td></tr> <tr><td>-</td><td> </td></tr> <tr><td>COMPONENT ENGINEER</td><td> </td></tr> <tr><td>-</td><td> </td></tr> <tr><td>TEST PROCESS</td><td> </td></tr> <tr><td>-</td><td> </td></tr> <tr><td>HARDWARE RELEASE</td><td> </td></tr> <tr><td>-</td><td> </td></tr> <tr><td>DESIGNER</td><td>03JAN19</td></tr> <tr><td>C. BAUTISTA</td><td> </td></tr> <tr><td>PTD ENGINEER</td><td>03JAN19</td></tr> <tr><td>A. SERQUINA</td><td> </td></tr> <tr><td>CHECKER</td><td> </td></tr> <tr><td>-</td><td> </td></tr> </table>	TEMPLATE ENGINEER	DATE	-		HARDWARE SERVICES		-		HARDWARE SYSTEMS		-		TEST ENGINEER		-		COMPONENT ENGINEER		-		TEST PROCESS		-		HARDWARE RELEASE		-		DESIGNER	03JAN19	C. BAUTISTA		PTD ENGINEER	03JAN19	A. SERQUINA		CHECKER		-		<p style="text-align:center;">SCHEMATIC</p> <p>HW TYPE : Evaluation Board - Z Product(s) : ADP5070 : ADP5070 PACKAGE : 20-lead 6X5_MM TSSOP_4.4_EP-family :</p> <p><User Define> <User Define> <User Define></p> <table border="1" style="width:100%; border-collapse: collapse;"> <tr> <td>MASTER PROJECT TEMPLATE</td> <td>TESTER TEMPLATE</td> <td rowspan="2" style="text-align:center;">DRAWING NO.</td> <td rowspan="2" style="text-align:center;">REV.</td> </tr> <tr> <td>TBD</td> <td>no_template</td> <td style="text-align:center;">02_051364</td> <td style="text-align:center;">B</td> </tr> </table> <table border="1" style="width:100%; border-collapse: collapse; font-size: small;"> <tr> <td colspan="4" style="text-align:center;">UNLESS OTHERWISE SPECIFIED DIMENSIONS ARE IN INCHES</td> </tr> <tr> <td colspan="2" style="text-align:center;">TOLERANCES</td> <td>SIZE</td> <td>SCALE</td> </tr> <tr> <td>DECIMALS</td> <td>FRACTIONS</td> <td rowspan="2" style="text-align:center;">D</td> <td rowspan="2" style="text-align:center;">1:1</td> </tr> <tr> <td>X.XX +0.010</td> <td>+1/32</td> <td>CODE ID NO.</td> </tr> <tr> <td>X.XXX +0.005</td> <td></td> <td>CodeID</td> <td style="text-align:center;">SHEET 1 OF 2</td> </tr> </table>	MASTER PROJECT TEMPLATE	TESTER TEMPLATE	DRAWING NO.	REV.	TBD	no_template	02_051364	B	UNLESS OTHERWISE SPECIFIED DIMENSIONS ARE IN INCHES				TOLERANCES		SIZE	SCALE	DECIMALS	FRACTIONS	D	1:1	X.XX +0.010	+1/32	CODE ID NO.	X.XXX +0.005		CodeID	SHEET 1 OF 2	<div style="text-align:right;"> </div>
TEMPLATE ENGINEER	DATE																																																																				
-																																																																					
HARDWARE SERVICES																																																																					
-																																																																					
HARDWARE SYSTEMS																																																																					
-																																																																					
TEST ENGINEER																																																																					
-																																																																					
COMPONENT ENGINEER																																																																					
-																																																																					
TEST PROCESS																																																																					
-																																																																					
HARDWARE RELEASE																																																																					
-																																																																					
DESIGNER	03JAN19																																																																				
C. BAUTISTA																																																																					
PTD ENGINEER	03JAN19																																																																				
A. SERQUINA																																																																					
CHECKER																																																																					
-																																																																					
MASTER PROJECT TEMPLATE	TESTER TEMPLATE	DRAWING NO.	REV.																																																																		
TBD	no_template			02_051364	B																																																																
UNLESS OTHERWISE SPECIFIED DIMENSIONS ARE IN INCHES																																																																					
TOLERANCES		SIZE	SCALE																																																																		
DECIMALS	FRACTIONS	D	1:1																																																																		
X.XX +0.010	+1/32			CODE ID NO.																																																																	
X.XXX +0.005		CodeID	SHEET 1 OF 2																																																																		

D

C

B

A

D

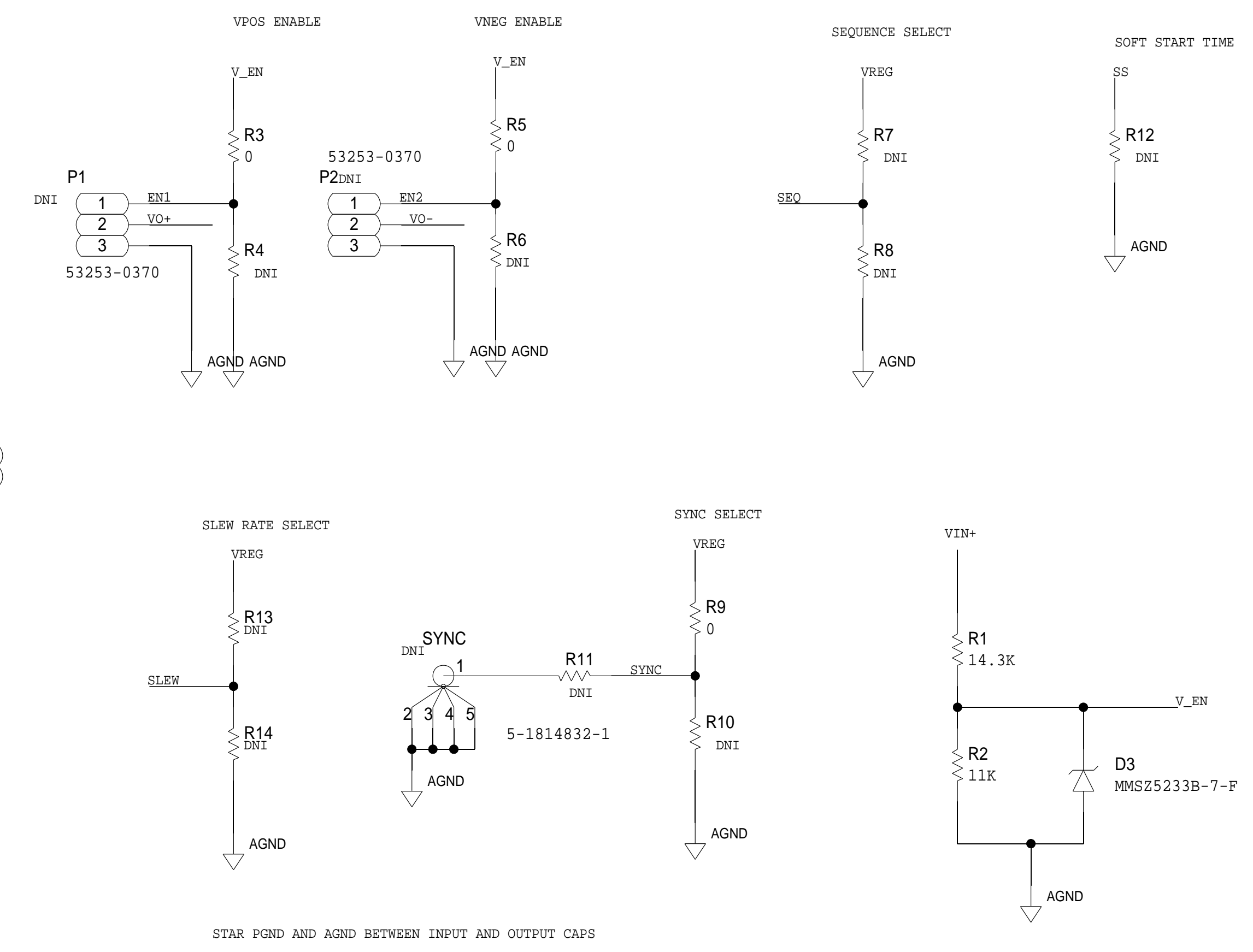
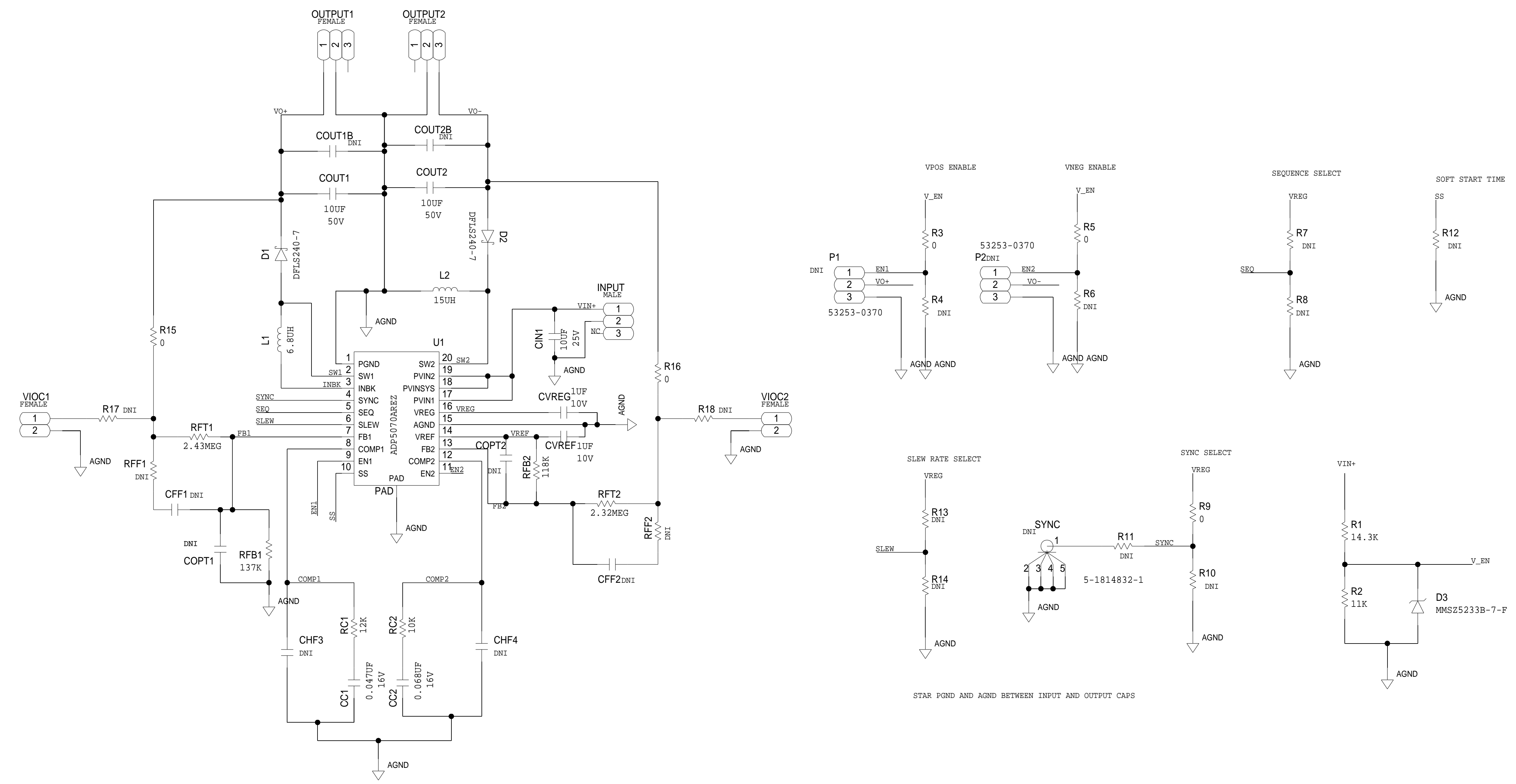
C

B

A

REVISIONS			
REV	DESCRIPTION	DATE	APPROVED

ADP5070



	SCHEMATIC		
	HW TYPE : Evaluation Board - Z Product(s) : ADP5070 : ADP5070		
	DESIGN VIEW <DESIGN_VIEW>	DRAWING NO. 02_051364	REV B
	PTD ENGINEER A. SERQUINA	SIZE D SCALE 1:1	SHEET 2 OF 2