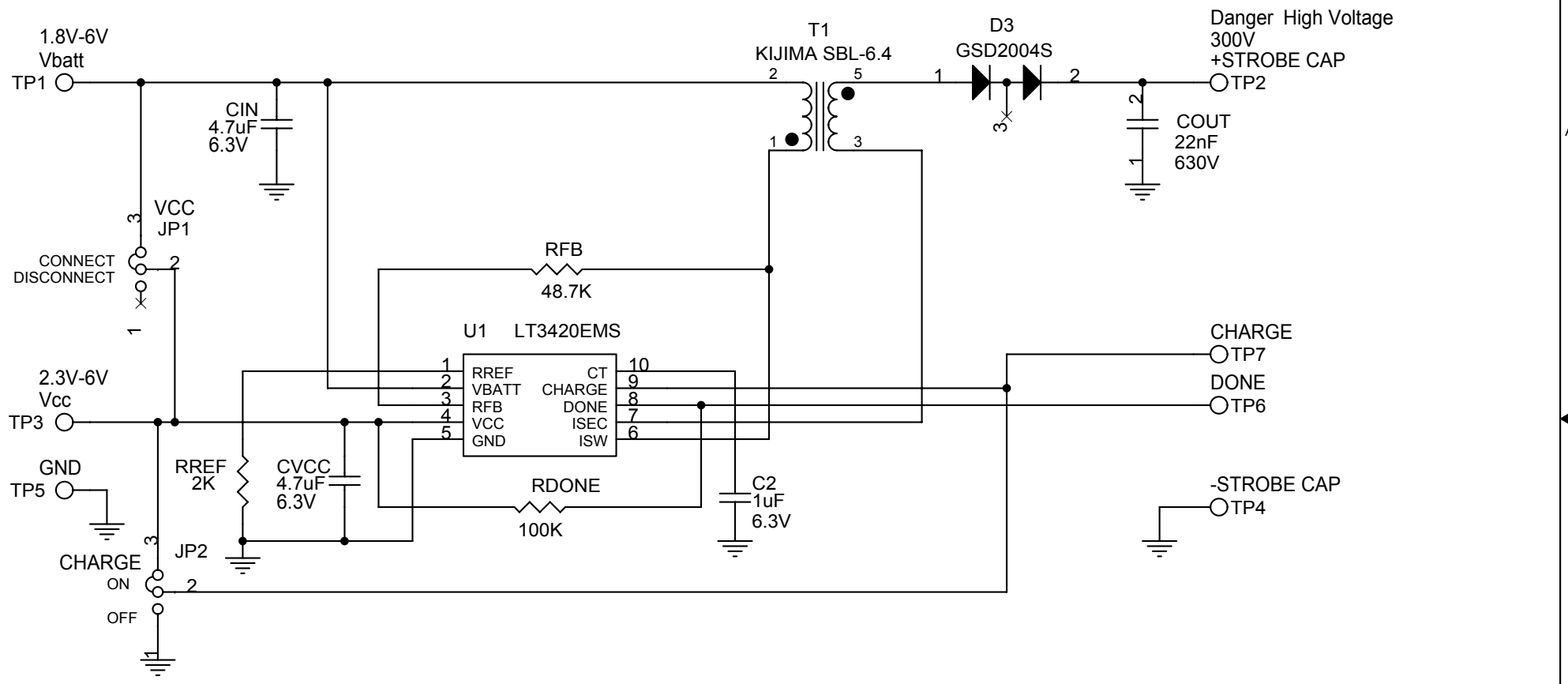

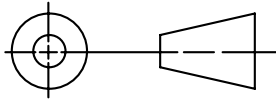


ECO	REV	DESCRIPTION	DATE	APPROVED
	1	PROTO	02/10/03	



UNLESS OTHERWISE SPECIFIED DIMENSIONS ARE IN INCHES TOLERANCE ON ANGLE --- 2 PLACES --- 3 PLACES --- INTERPRET DIM AND TOL PER ASME Y14.5M -1994	CONTRACT NO.		 1630 McCarthy Blvd. Milpitas, CA 95035 Phone: (408)432-1900 Fax: (408)434-0507
	APPROVALS	DATE	
	DRAWN MEI	02/10/03	
	CHECKED		
THIRD ANGLE PROJECTION	CHECKED		TITLE SCH, LT3420EMS STROBE CAPACITOR CHARGER, HIGH VOLTAGE SUPPLY
	APPROVED		
	ENGINEER		
	DESIGNER		
DO NOT SCALE DRAWING	Thursday, June 19, 2003	SCALE:NONE	FILENAME: 646A-1.DSN SHEET 1 OF 1

SIZE	CAGE CODE	DWG NO	REV
A		DC646A	1