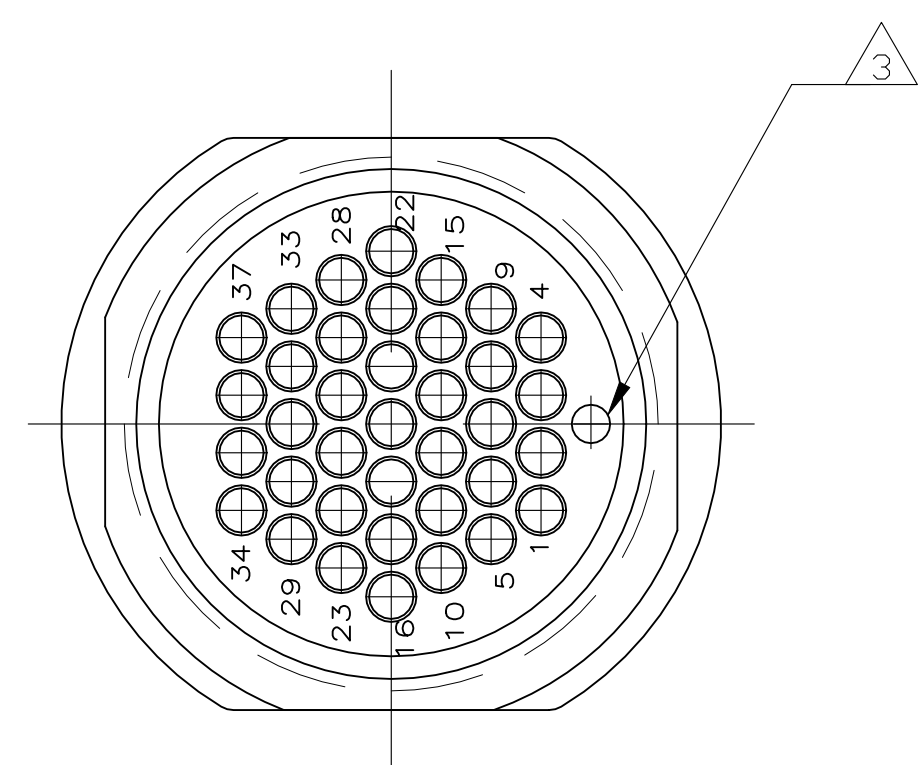
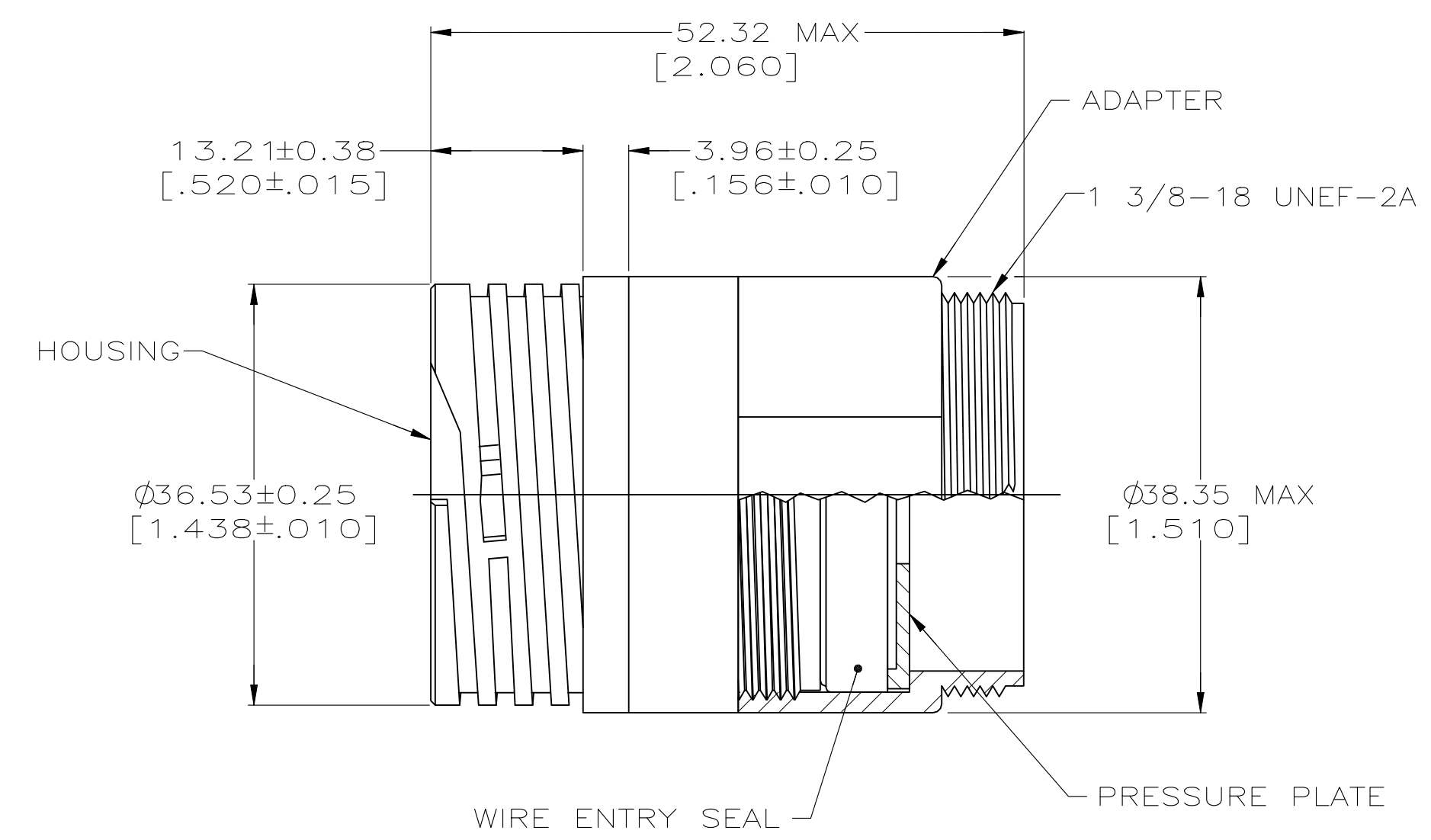
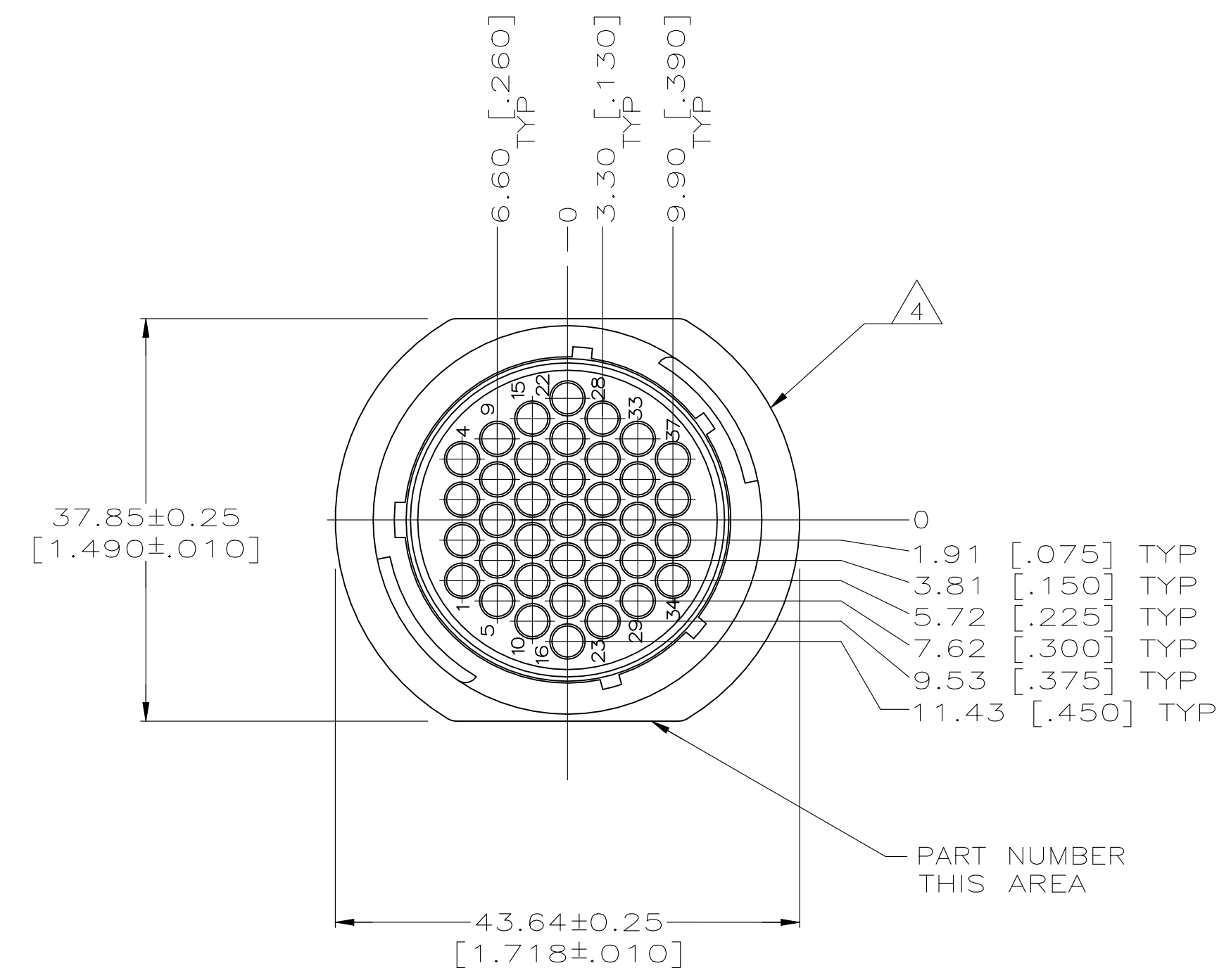


REVISIONS				
P	LTR	DESCRIPTION	DATE	APPRO
D		REVISED PER ECO-21-006945	28OCT2021	RK MZ



- 1. ADAPTER AND HOUSING: NYLON, BLACK.
WIRE ENTRY SEAL: ELASTOMER, RED-IRON OXIDE.
PERIPHERAL SEAL: ELASTOMER, BLACK.
- 2. CONNECTOR WILL ACCEPT (37) MULTIMATE PIN CONTACTS.
- 3. ORIENTATION HOLE USED IN THE MANUFACTURING PROCESS ONLY.
THIS HOLE IS NOT INTENDED FOR WIRE INSERTION.
- 4. TE LOGO LOCATED ON ANY FLANGE EDGE

796287-1
PART NUMBER

THIS DRAWING IS A CONTROLLED DOCUMENT.		DIN C. DORWART 11 NOV 98	
DIMENSIONS: INCHES		CHK K. DOWHOWER 15NOV99	
TOLERANCES UNLESS OTHERWISE SPECIFIED:		APPRO K. DOWHOWER 15NOV99	NAME
0. PLC	± -	PRODUCT SPEC	RCPT ASSY, SIZE 23-37,
1. PLC	± -	APPLICATION SPEC	STANDARD SEX, FREE HANGING,
2. PLC	± 0.13(.005)	SIZE	SEALED CIRCULAR PLASTIC CONN
3. PLC	± -	WEIGHT	A1 00779 C=796287
4. PLC	± -	CUSTOMER DRAWING	SCALE 2:1 SHEET 1 OF 1 REV D
ANGLES	± -		
MATERIAL			
FINISH			