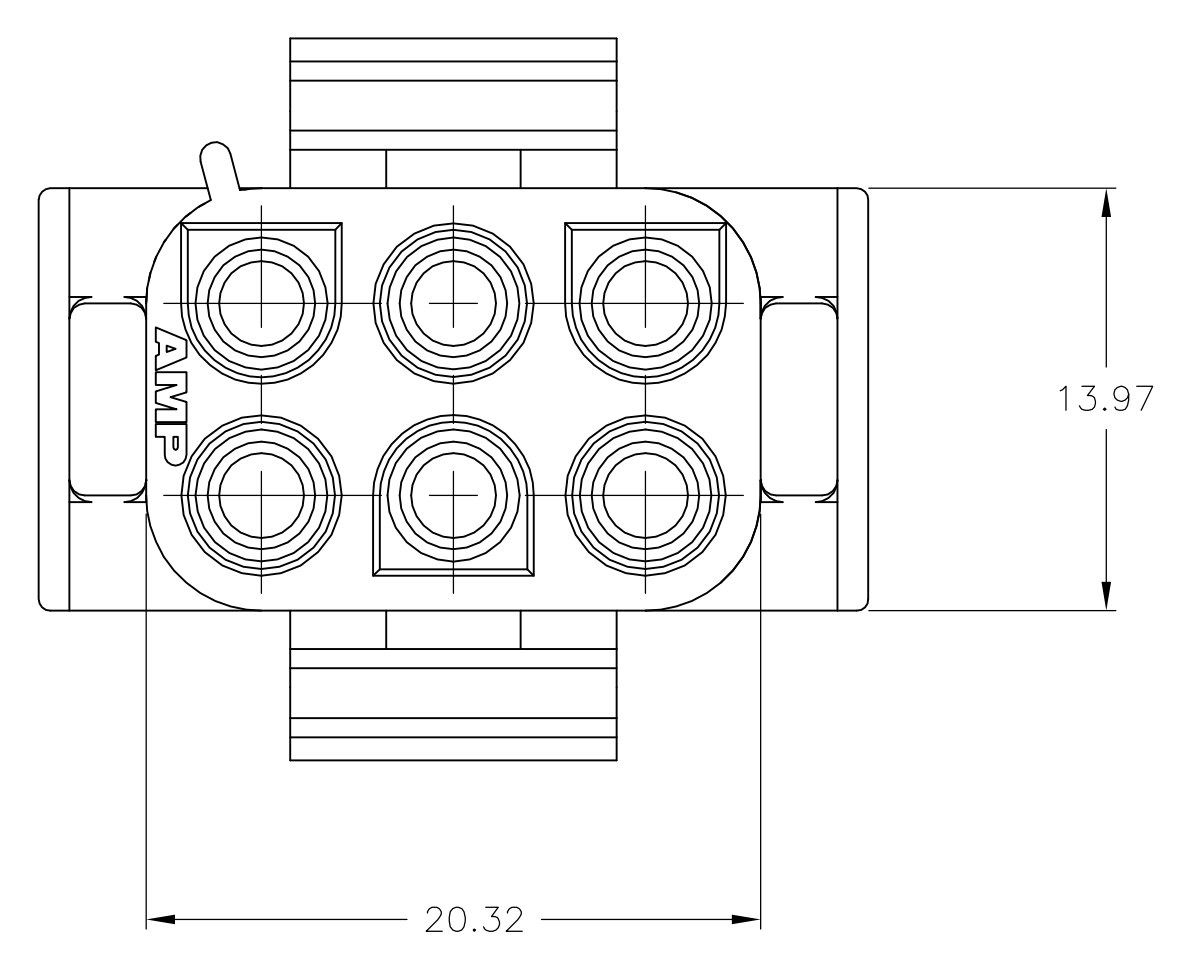
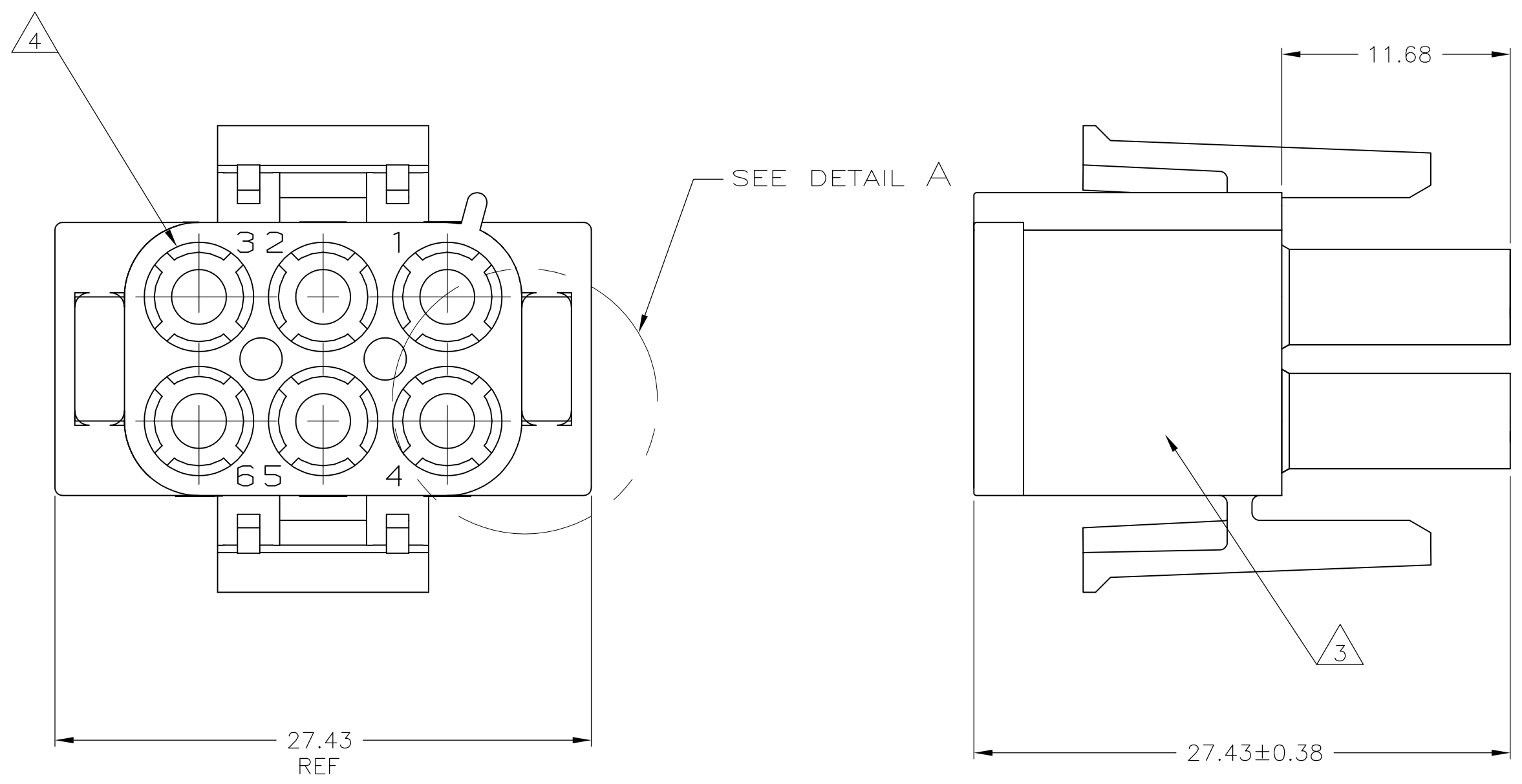
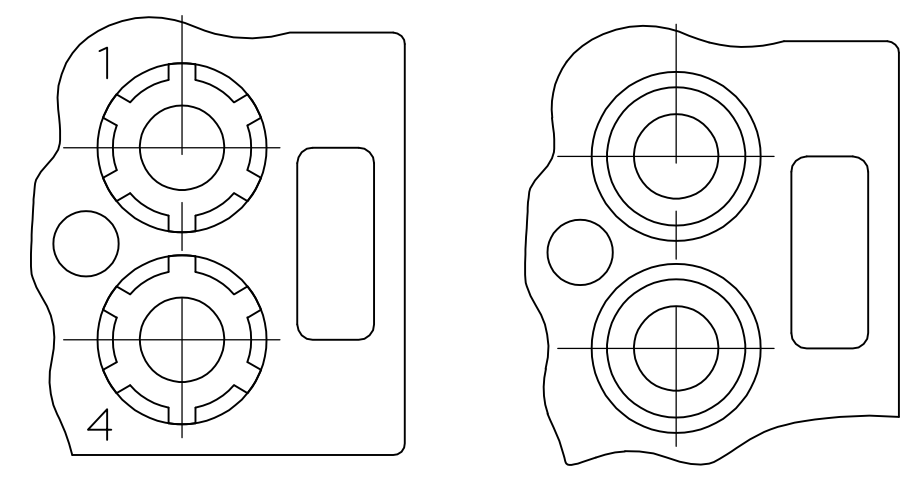
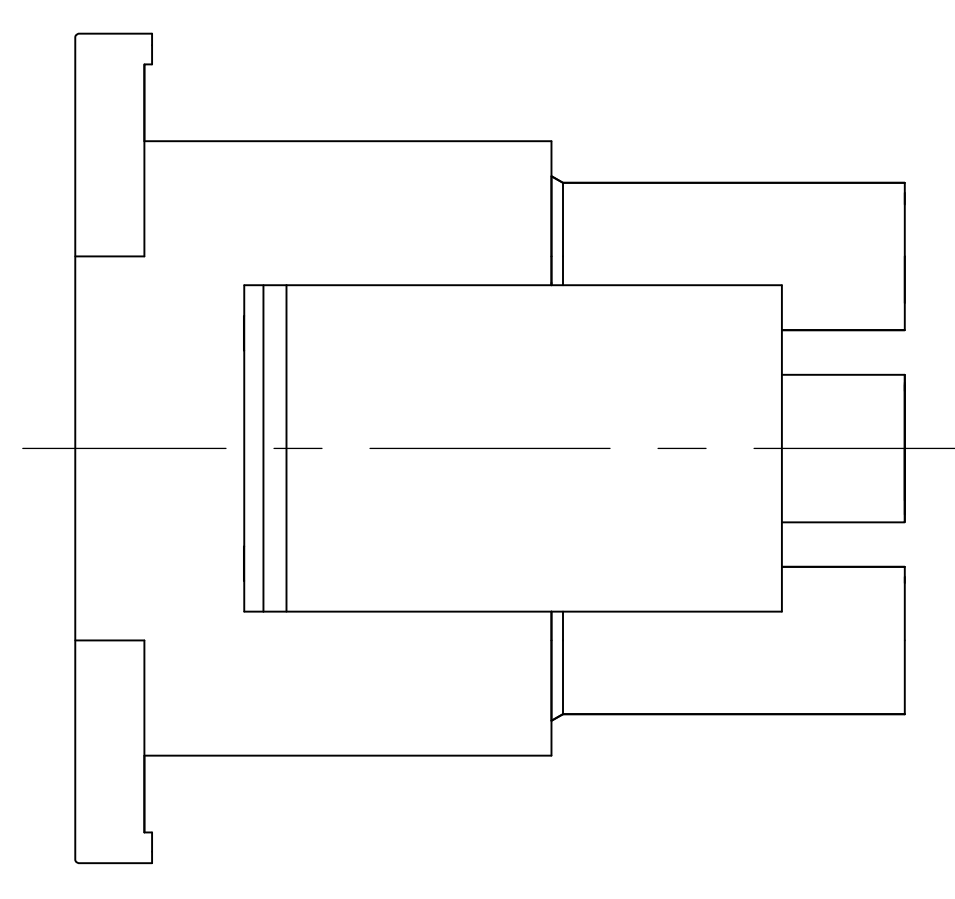


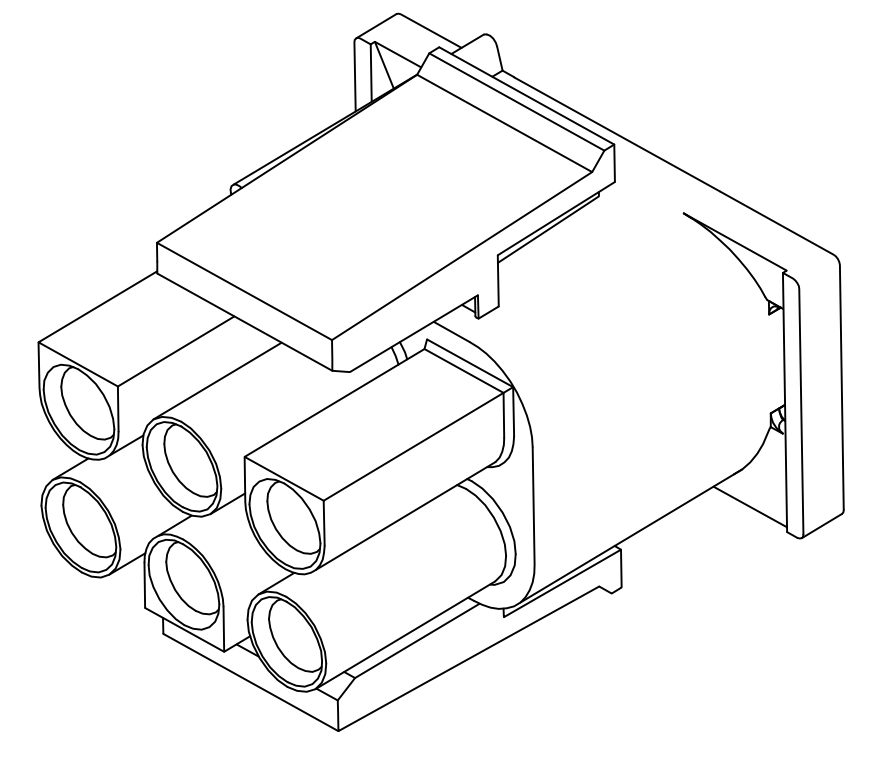
REVISIONS					
P	LTR	DESCRIPTION	DATE	DMN	APVD
A3		REVISED PER ECO-17-011927	22AUG2017	RS	KR



- 1 MATES WITH APPROPRIATE UNIVERSAL MATE-N-LOK™ CAP OR HEADER.
- 2 SMALL NICKS ARE PERMITTED ON THE CIRCUIT TOWERS WHICH COULD INCREASE THE INITIAL HOUSING MATING FORCE BY UP TO 4.4 NEWTON (1.0 LBS). NO INDIVIDUAL NICKED TOWER SHALL INCREASE THIS FORCE BY OVER 2.2 NEWTONS (.5 LBS).
- 3 UNDERWRITER RECOGNIZED COMPONENT LOGO AND CSA CERTIFICATION LOGO TO BE LOCATED ONCE EACH SIDE ON SIDE OF HOUSING.
- 4 FOUR RIBS EQUALLY SPACED, NO SPECIFIC ORIENTATION. NO RIBS OR SIX RIBS EQUALLY SPACED, NO SPECIFIC ORIENTATION, OPTIONAL.
- 5 150° C TEMPERATURE RATING FOR THIS HOUSING IS FOR SHORT TERM DURATION MAX OPERATING TEMPERATURE REMAINS 125° C.
- 6 SPECIAL PACKAGING
- 7 PHOSPHOR BRONZE CONTACTS SHOULD ALWAYS BE USED WITH THIS HOUSING.
- 8 DIMENSIONS SHOWN REPRESENT PRODUCT IN DRY, AS MOLDED CONDITION ADDITIONAL 2% GROWTH DUE TO SUBSEQUENT MOISTURE ABSORPTION MAY OCCUR AND SHOULD BE ACCOUNTED FOR.



DETAIL A
OPTIONAL CONSTRUCTIONS



3-DIMENSIONAL MODEL
NTS

MM	IN
27.43	1.080
20.32	.800
13.97	.550
11.68	.460
0.38	.015
0.13	.005

CONVERSION TABLE

8-794535-1
794535-1
PART NUMBER

THIS DRAWING IS A CONTROLLED DOCUMENT.		DIN K. WHITAKER 18NOV98	TE Connectivity	
DIMENSIONS: mm		CHK R. SWING 18NOV98	NAME	
TOLERANCES UNLESS OTHERWISE SPECIFIED:		APVD D. SELF 18NOV98	PLUG, 6 CIRCUIT, UNIVERSAL MATE-N-LOK™	
0. PLC	± -	PRODUCT SPEC	SIZE	CAGE CODE
1. PLC	± -	APPLICATION SPEC	A1	00779
2. PLC	± 0.13	FINISH	C=794535	
3. PLC	± -	RESTRICTED TO	-	
4. PLC	± -	WEIGHT	0.000000	
ANGLES	± 0° 30'	CUSTOMER DRAWING	SCALE	4:1
MATERIAL NYLON, UL 94V-2, BLACK			SHEET	1 OF 1
			REV	A3

