

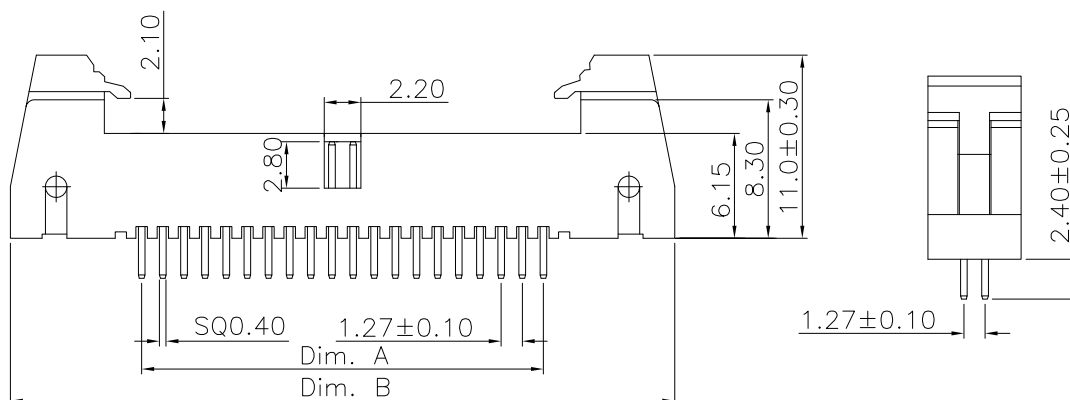
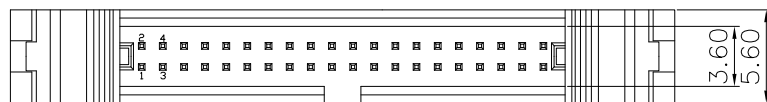
1

2

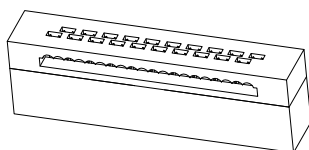
3

4

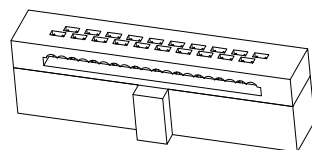
5



MATING PART
3230-XX-0101-00



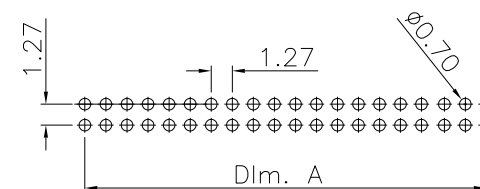
MATING PART
3230-XX-0102-00



Specifications:
 Current rating:1.0A
 Voltage rating:50V AC,DC
 Contact resistance:20m ohm Max
 Insulation resistance:1,000M ohm Min
 Withstanding voltage:500V AC/minute
 Operating Temperature:-40°C ~ +105°C

Materials:
 Insulator:Nylon6T (UL94V-0)
 Standard Color:Black
 Contact:Brass
 Plating:Gold Plated Over Nickel

Circuits	DIM		Circuits	DIM	
	A	B		A	B
10	5.08	20.70	40	24.13	39.75
16	8.89	24.51	44	26.67	42.29
20	11.43	27.05	50	30.48	46.10
26	15.24	30.86	60	36.83	52.45
30	17.78	33.40	68	41.91	57.53
34	20.32	35.94			



P.C.B Layout

RoHS Compliant

				DRAWN:	GENERAL TOLERANCE: .X=±0.20 .XX=±0.15	CnC Tech Industrial Cable and Connector Technology	DESCRIPTION: 1.27mm Shrouded Header Straight Type	SIZE A4
				CHECKED:	UNIT: MM SCALE:1:1			
				APPROVAL:	SHEET: 1 / 1	PART NO:	3210-XX-001-12-00	
REV	DATE	FILE	BY		PROJECTION:			