

1

2

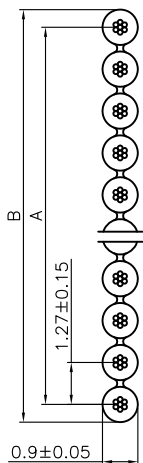
3

4

5

RoHS COMPLIANT

N≤30Pin;P=0.2
 N≥31Pin;P=0.25
 N≥60Pin;P=0.35



Brown
 Red
 Orange
 Yellow
 Green
 Blue
 Purple
 Gray
 White
 Black

Conductor	Size	UL20029 28AWG			
	Construction	7/0.127±0.005			
	Material	Tinned Copper Conductor			
	Conductor Diameter	0.39±0.05MM			
Insulation	Minimum Thickness	0.21MM			
	Average Thickness	0.26MM			
	Color	Brown,Red,Orange,Yellow,Green,Blue,Purple,Gray,White,Black			
	Marking	No			
Jacket	Diameter	0.9±0.05MM			
	Material	105°C PVC			
Electric Function	Rate Voltage	300V			
	Rate Temp.	-20°C~105°C			
	Voltage-Withstand	2500V One Minute			
	Spark Test	3000V/0.15 Sec Min.			
	COND.Resistance	Max:237 ohm/KM 20°C			
	INSU.Resistance	Min:0.75M ohm/KM 20°C			
	Tensile Strength	Degradation before	≥1500PSI	Degradation after	≥75%
	Elongation		≥100%		≥65%

Pin	Dim.A	Dim.B
9	10.16	11.43
10	11.43	12.70
14	16.51	17.78
15	17.78	19.05
16	19.05	20.32
20	24.13	25.40
25	30.48	31.75
26	31.75	33.02
37	45.72	46.99
40	49.53	50.80

				DRAWN:	GENERAL TOLERANCE:	<h1 style="color: red; text-align: center;">CnC Tech</h1> <p style="text-align: center;">Industrial Cable and Connector Technology</p>	
E					.X=±0.2 .XX=±0.15		
D				CHECKED:	UNIT: MM	DESCRIPTION:	SIZE
C					SCALE:	FLAT RIBBON CABLE 28AWG, 1.27MM (0.050") PITCH, MULTI-COLOR	
B				APPROVAL:	SHEET: 3 / 3	PART NO:	A4
A	10-MAY-2017				PROJECTION:	304-28-XX-MC-0XXXXF	
REV	DATE	FILE	BY				

1

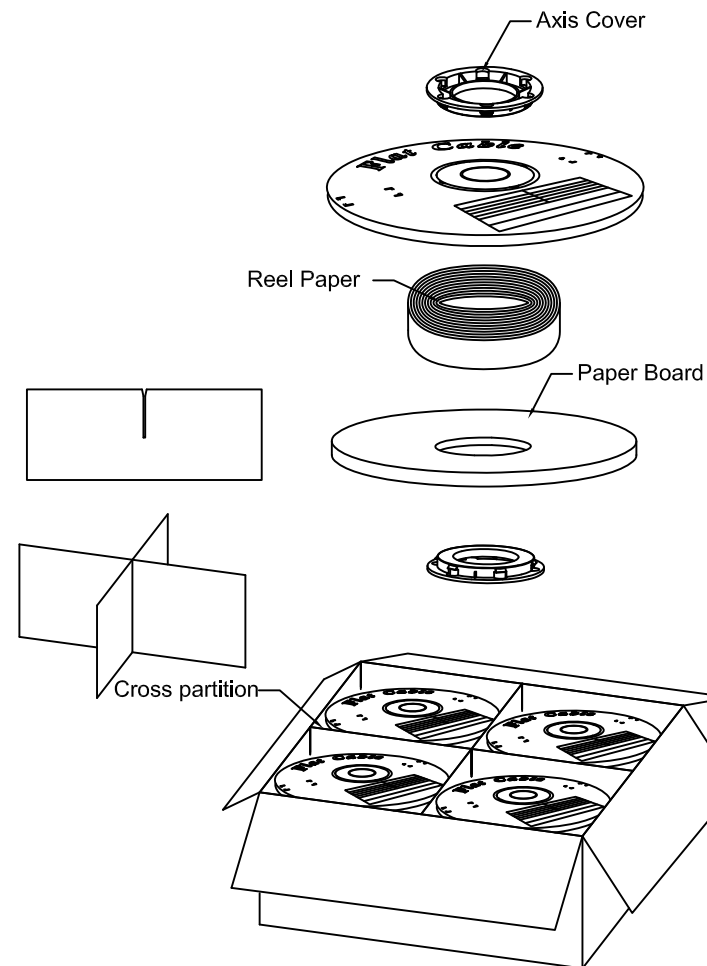
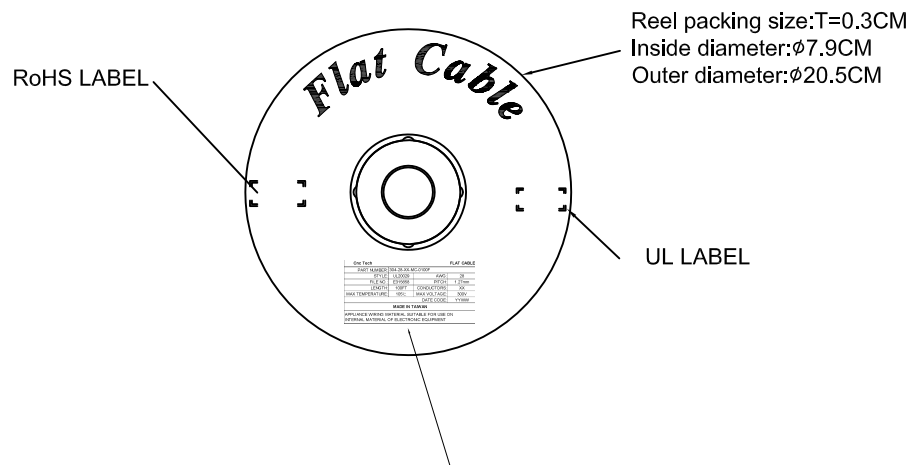
2

3

4

5

RoHS COMPLIANT

Schematic diagram:

No. of Contacts	Reel/Carton
9	32
10	32
14	20
15	20
16	20
20	16
25	12
26	12
37	8
40	8

Cnc Tech		FLAT CABLE	
PART NUMBER: 304-28-XX-MC-0100F			
STYLE:	UL20029	AWG:	28
FILE NO.:	E315658	PITCH:	1.27mm
LENGTH:	100FT	CONDUCTORS:	XX
MAX TEMPERATURE:	105°C	MAX VOLTAGE:	300V
		DATE CODE:	YYWW
MADE IN TAIWAN			
APPLIANCE WIRING MATERIAL SUITABLE FOR USE ON INTERNAL MATERIAL OF ELECTRONIC EQUIPMENT			

				DRAWN:	GENERAL TOLERANCE: .X=±0.2 .XX=±0.15	CnC Tech Industrial Cable and Connector Technology	
E				CHECKED:			
D					UNIT: MM	DESCRIPTION: FLAT RIBBON CABLE 28AWG, 1.27MM (0.050") PITCH, MULTI-COLOR	SIZE A4
C					SCALE:		
B					SHEET: 2 / 3	PART NO: 304-28-XX-MC-0100F	
A	10-MAY-2017			APPROVAL:	PROJECTION:		
REV	DATE	FILE	BY				

1

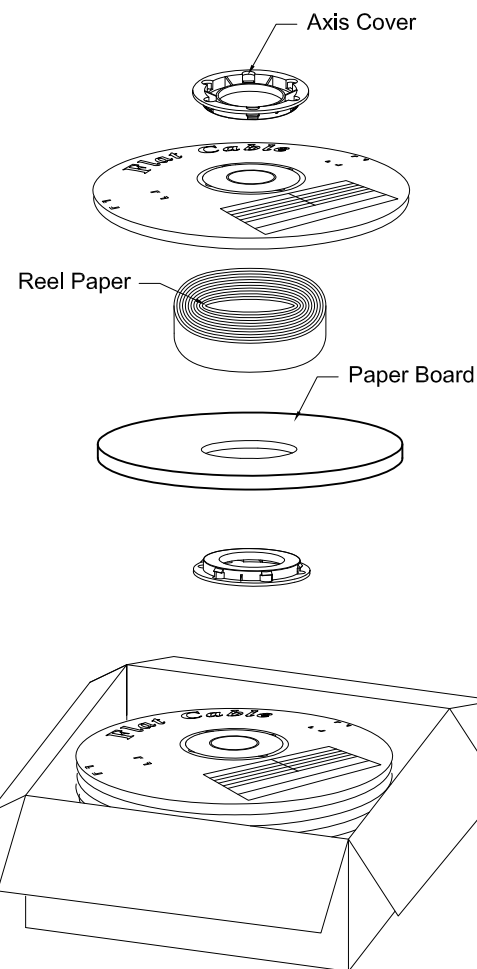
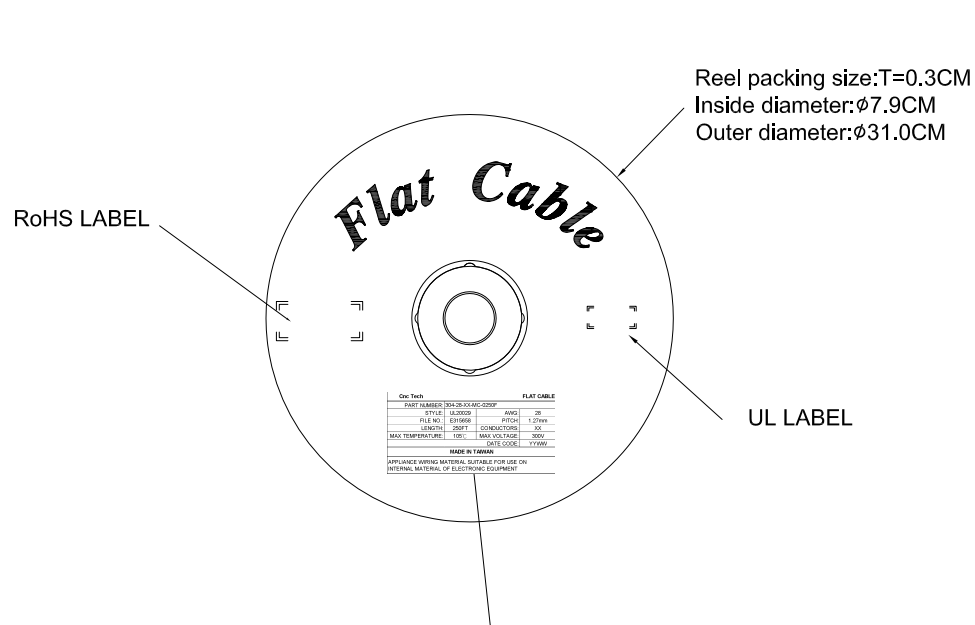
2

3

4

5

RoHS COMPLIANT

Schematic diagram:

No. of Contacts	Reel/Carton
9	11
10	11
14	7
15	8
16	7
20	6
25	5
26	5
37	3
40	3

Cnc Tech		FLAT CABLE	
PART NUMBER: 304-28-XX-MC-0250F			
STYLE:	UL20029	AWG:	28
FILE NO.:	E315658	PITCH:	1.27mm
LENGTH:	250FT	CONDUCTORS:	XX
MAX TEMPERATURE:	105°C	MAX VOLTAGE:	300V
		DATE CODE:	YYWW
MADE IN TAIWAN			
APPLIANCE WIRING MATERIAL SUITABLE FOR USE ON INTERNAL MATERIAL OF ELECTRONIC EQUIPMENT			

E				DRAWN:	GENERAL TOLERANCE: .X=±0.2 .XX=±0.15	CnC Tech Industrial Cable and Connector Technology	DESCRIPTION: FLAT RIBBON CABLE 28AWG, 1.27MM (0.050") PITCH, MULTI-COLOR	SIZE A4
D				CHECKED:				
C				APPROVAL:	UNIT: MM	PART NO: 304-28-XX-MC-0250F		
B					SCALE:			
A	10-MAY-2017				SHEET: 3 / 3			
REV	DATE	FILE	BY		PROJECTION:			