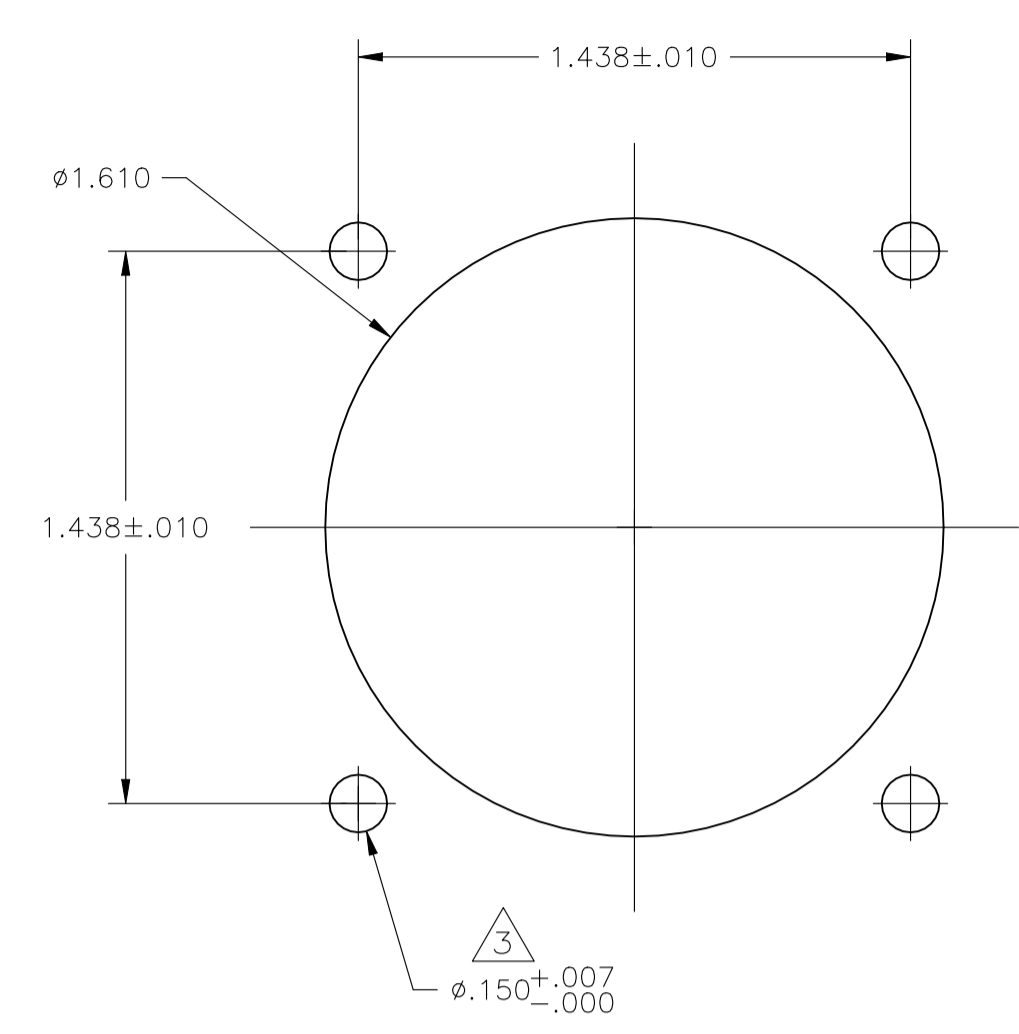
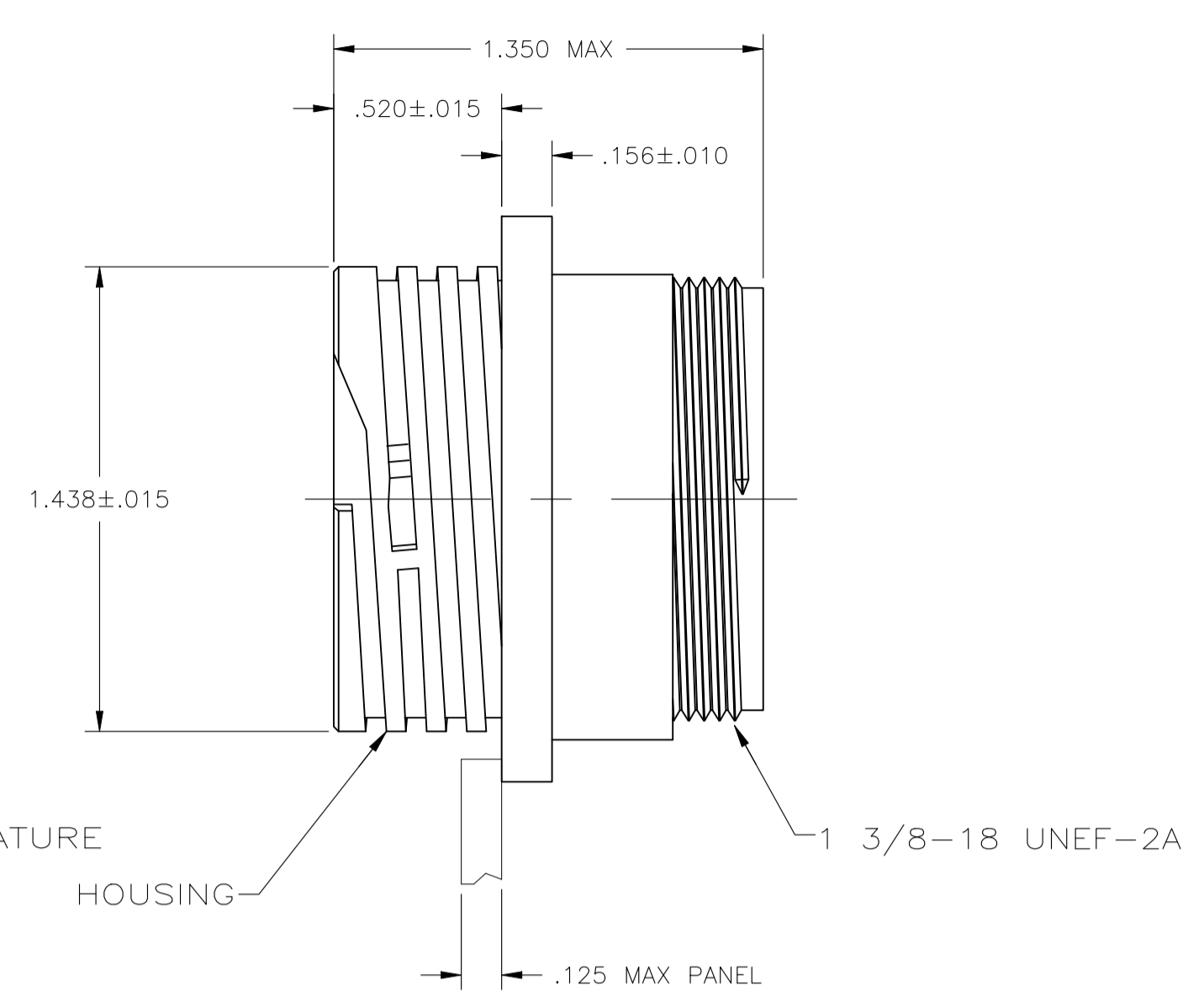
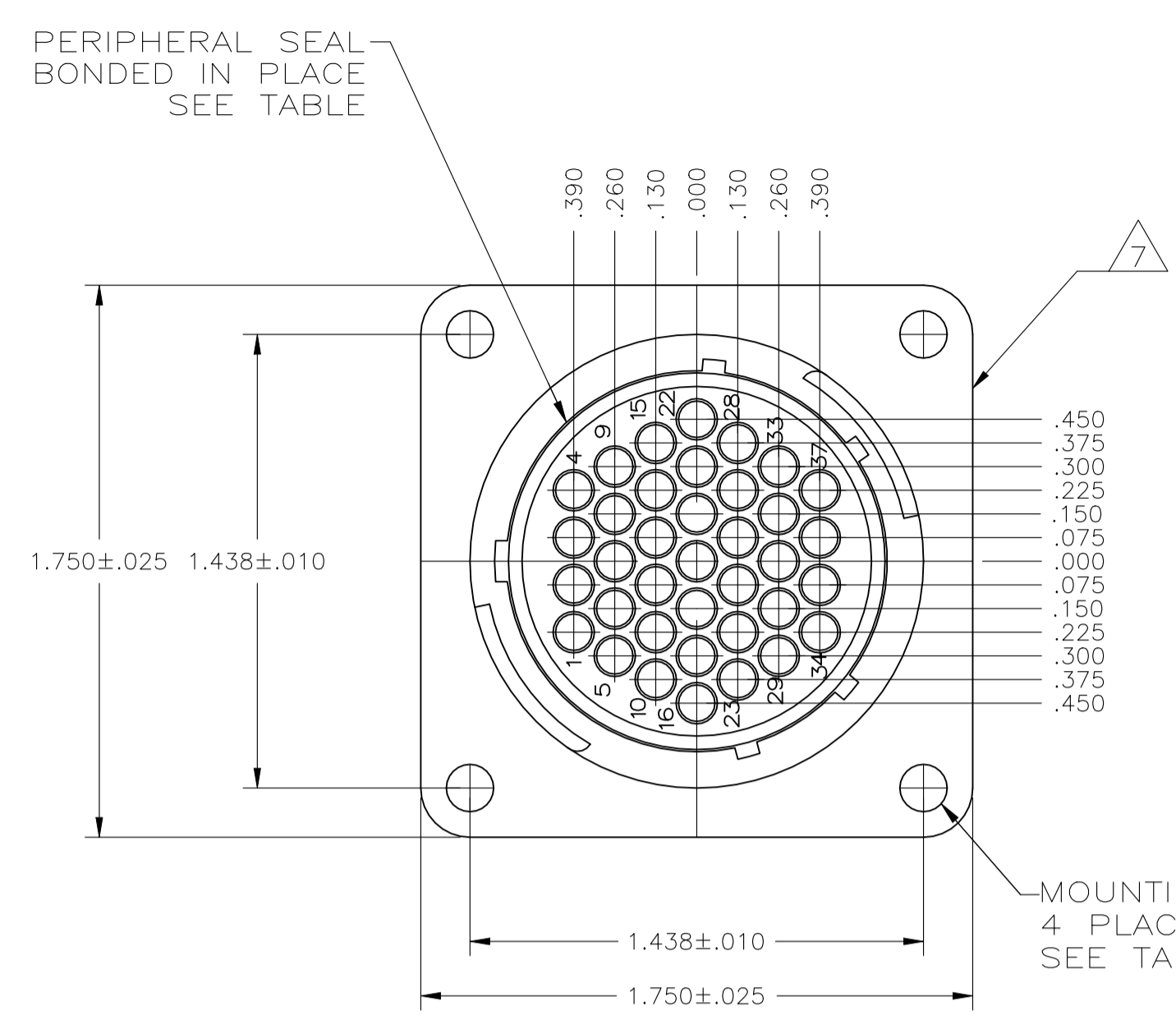
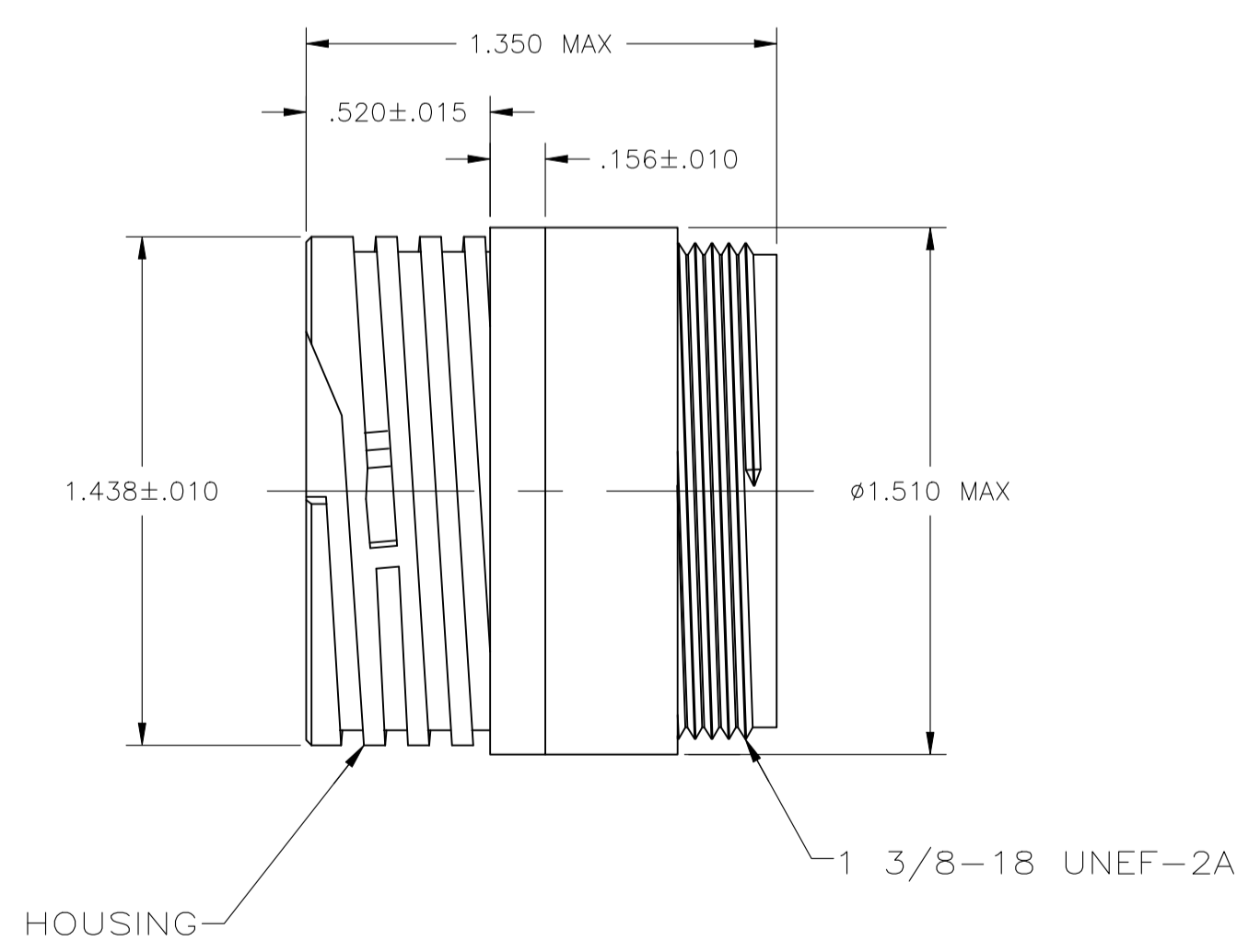
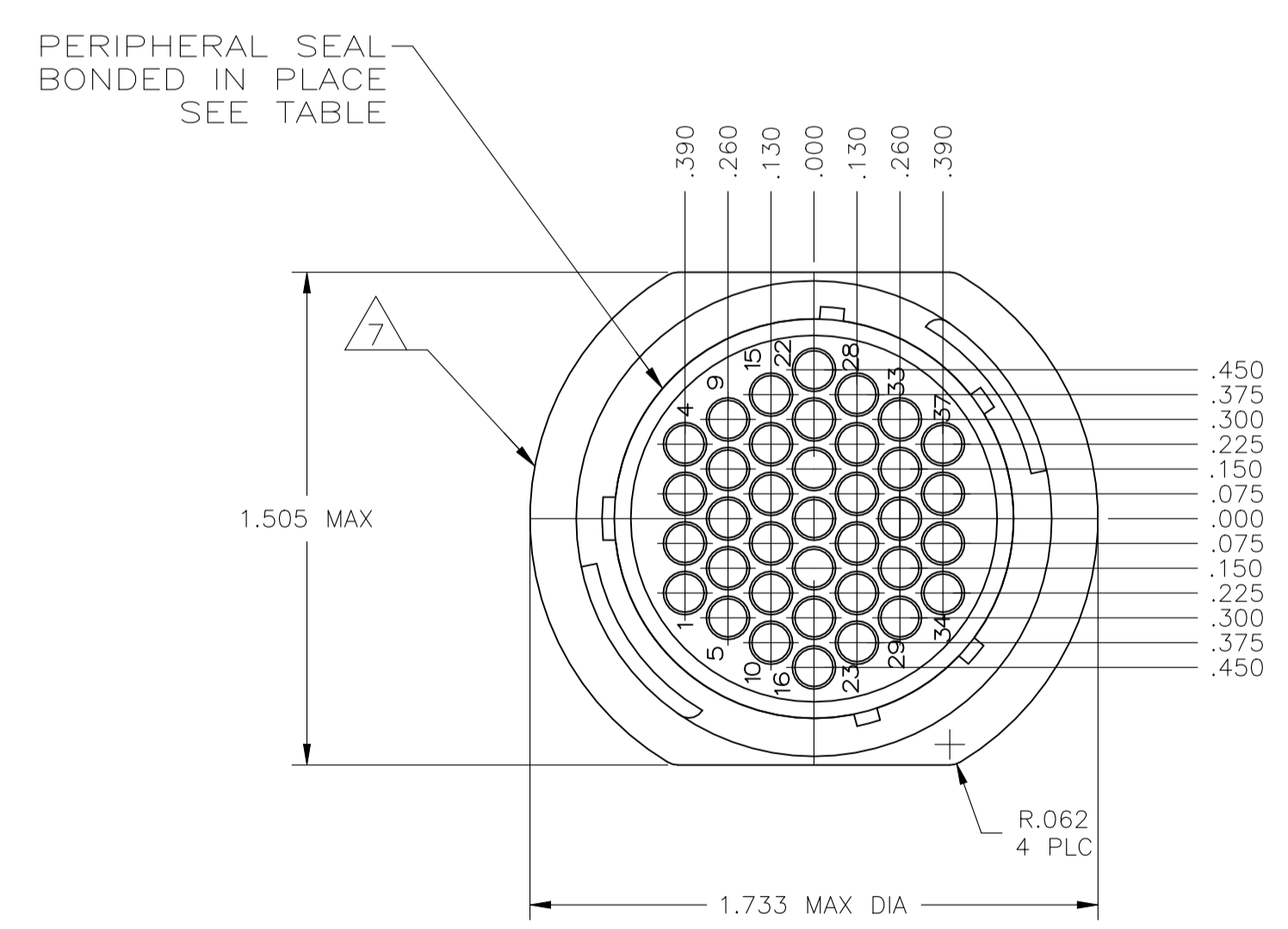
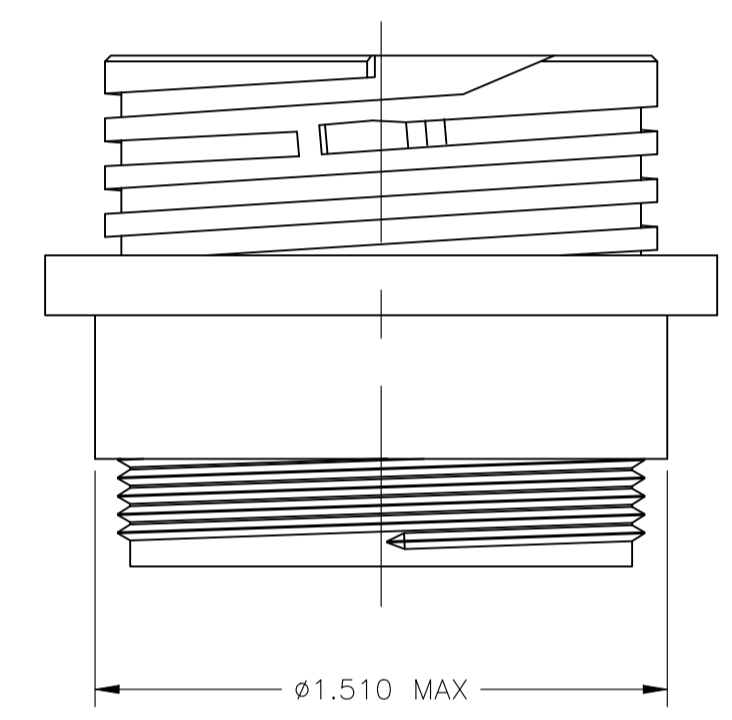


| REVISIONS |     |                           |           |    |      |
|-----------|-----|---------------------------|-----------|----|------|
| P         | LTR | DESCRIPTION               | DATE      | DN | APVD |
| R1        |     | REVISED PER ECN-22-165832 | 22JUL2022 | RK | MZ   |



DETAIL A

RECOMMENDED PANEL CUTOUT



DETAIL B

- 1 CAVITY IDENTIFICATION ON FRONT AND REAR FACE.
- 2 WILL ACCEPT THIRTY-SEVEN (37) MULTIMATE PIN CONTACTS.
- 3 NO 4 FASTENER RECOMMENDED FOR MOUNTING.
- 4 WHITE DOT NEAR POSITION 1 ON WIRE ENTRY FACE.
- 5 OBSOLETE PARTS: OBSOLETE CIS STREAMLINING PER D.RENAUD/D.SINISI
- 6 MATERIALS:  
HOUSINGS: PA66, BLACK  
PERIPHERAL SEAL: NITRILE BUTADIENE RUBBER  
THREADED INSERT: BRASS
- 7 TE LOGO AND PART NUMBER LOCATED ON ANY FLANGE EDGE

|          |                       |            |                 |            |             |
|----------|-----------------------|------------|-----------------|------------|-------------|
| OBSOLETE | #4-40 THREADED INSERT | STANDARD   | NO              | A          | -206151-9-  |
| 4        | 0.150 MOUNTING HOLES  | STANDARD   | YES             | A          | 206151-8    |
| 5        | 0.150 MOUNTING HOLES  | STANDARD   | NO              | A          | -206151-6-  |
| 6        | 0.150 MOUNTING HOLES  | SMALL PACK | NO              | A          | -206151-5-  |
|          | NONE                  | STANDARD   | YES             | B          | 206151-4    |
|          | 0.150 MOUNTING HOLES  | STANDARD   | YES             | A          | 206151-3    |
|          | NONE                  | STANDARD   | NO              | B          | 206151-2    |
|          | 0.150 MOUNTING HOLES  | STANDARD   | NO              | A          | 206151-1    |
|          | MOUNTING FEATURE      | PACKAGING  | PERIPHERAL SEAL | SEE DETAIL | PART NUMBER |

THIS DRAWING IS A CONTROLLED DOCUMENT.

|                    |  |                          |   |
|--------------------|--|--------------------------|---|
| DIMENSIONS: INCHES | TOLERANCES UNLESS OTHERWISE SPECIFIED: | DIN S SCHLEGEL 08DEC2002 | <br>TE Connectivity                                     |
| 0 PLC ± -          | 1 PLC ± -                              | 8/13/83                  |   |
| 2 PLC ± -          | 3 PLC ± .005                           | APVD R STONE 8/13/83     | NAME  |
| 4 PLC ± -          | ANGLES ± -                             | PRODUCT SPEC             | RECEPTACLE HOUSING, STANDARD<br>SEX, SHELL SIZE 23, CPC |
| MATERIAL           | FINISH                                 | APPLICATION SPEC         | SIZE CAGE CODE DRAWING NO                               |
| 6                  |  | WEIGHT                   | A1 00779 C=206151                                       |
|                    |  | CUSTOMER DRAWING         | SCALE 2:1 SHEET 1 of 1 REV R1                           |