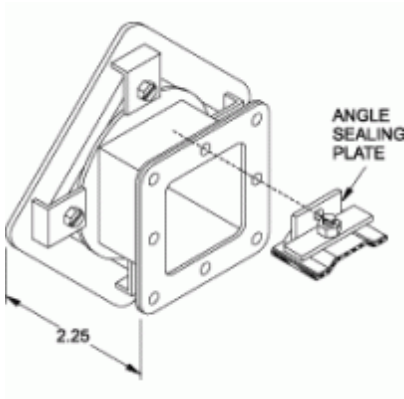




Quality Products. Service Excellence.

Swivel Nipple 1485 V Series



Box Entry Swivel Nipple Part No.	Standard Swivel Nipple Part No.	Size
1485BV1 ¹	1485BV2 ²	2.5 x 2.5
1485CV1 ¹	1485CV2 ²	4 x 4
1485DV1 ¹	1485DV2 ²	6 x 6
1485EV1 ¹	1485EV2 ²	8 x 8

¹ One angle sealing plate included

² Two angle sealing plates included

Tags: nipple, swivel nipple, adjustable, wireway, 1485

Data subject to change without notice



© 2023. Hammond Manufacturing Ltd. All rights reserved.