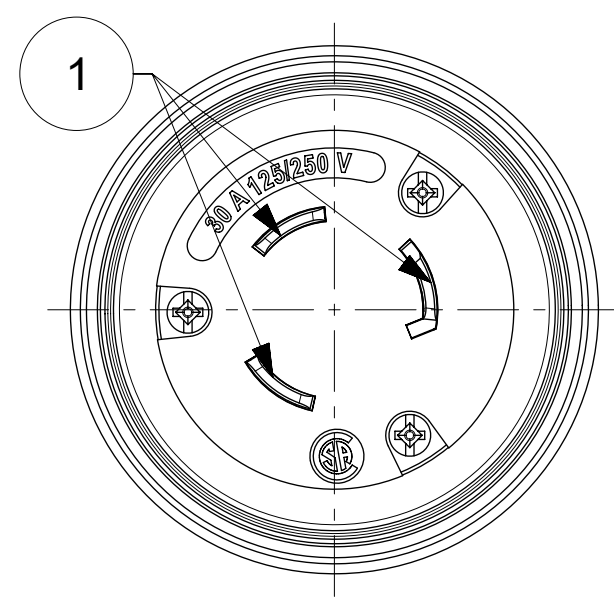
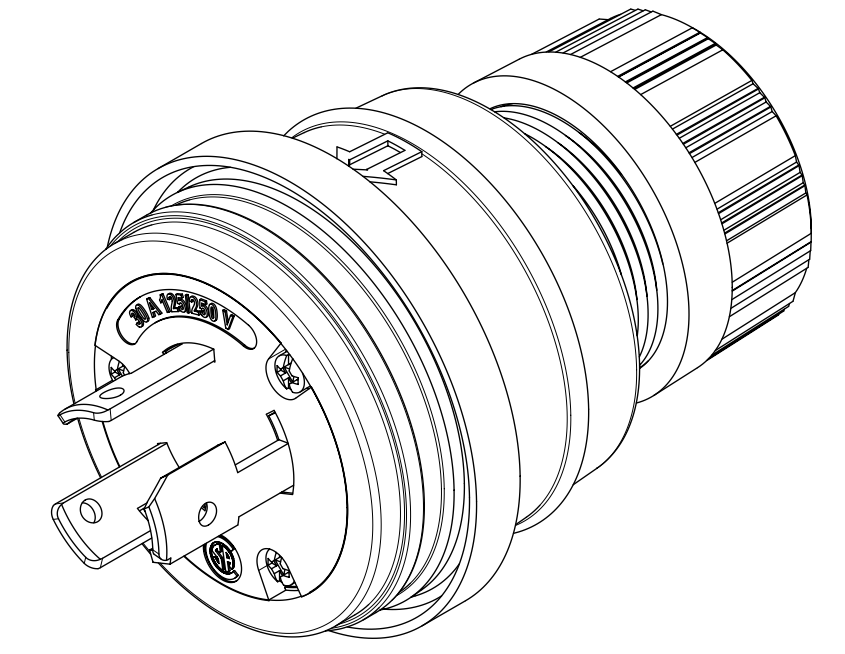
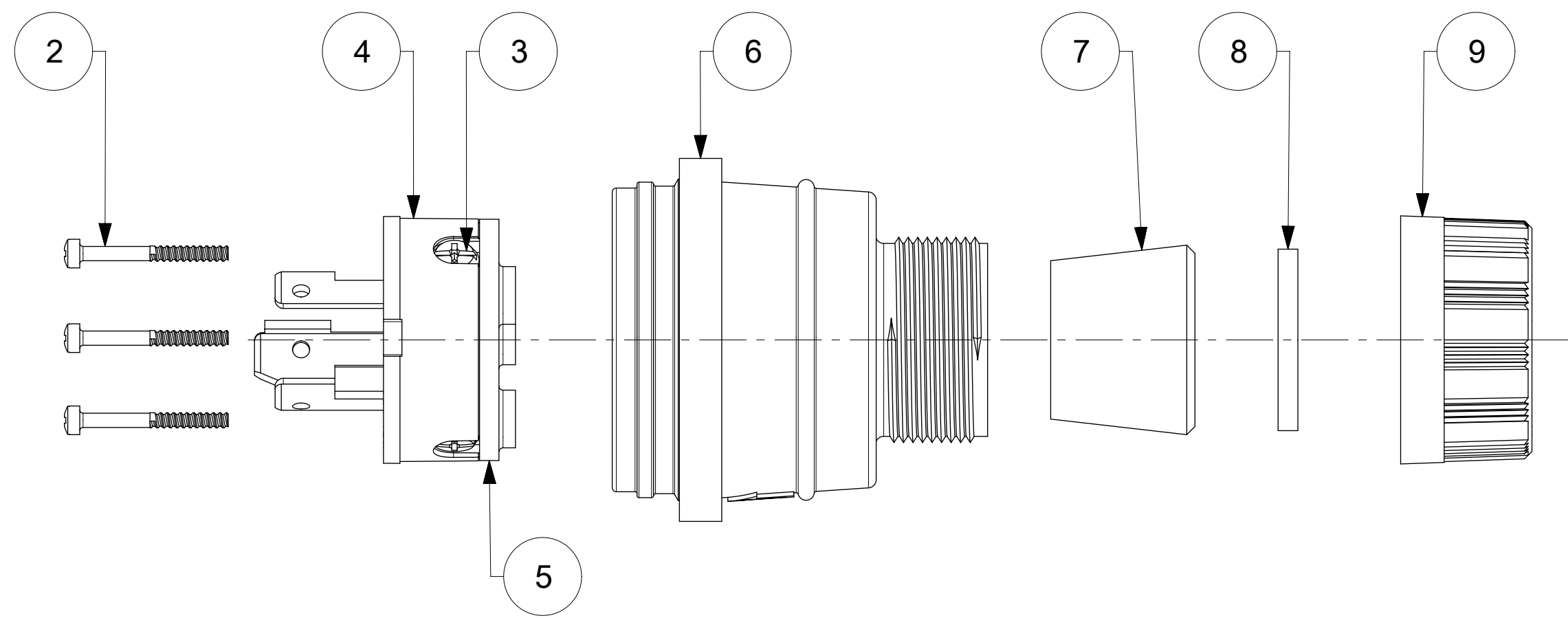
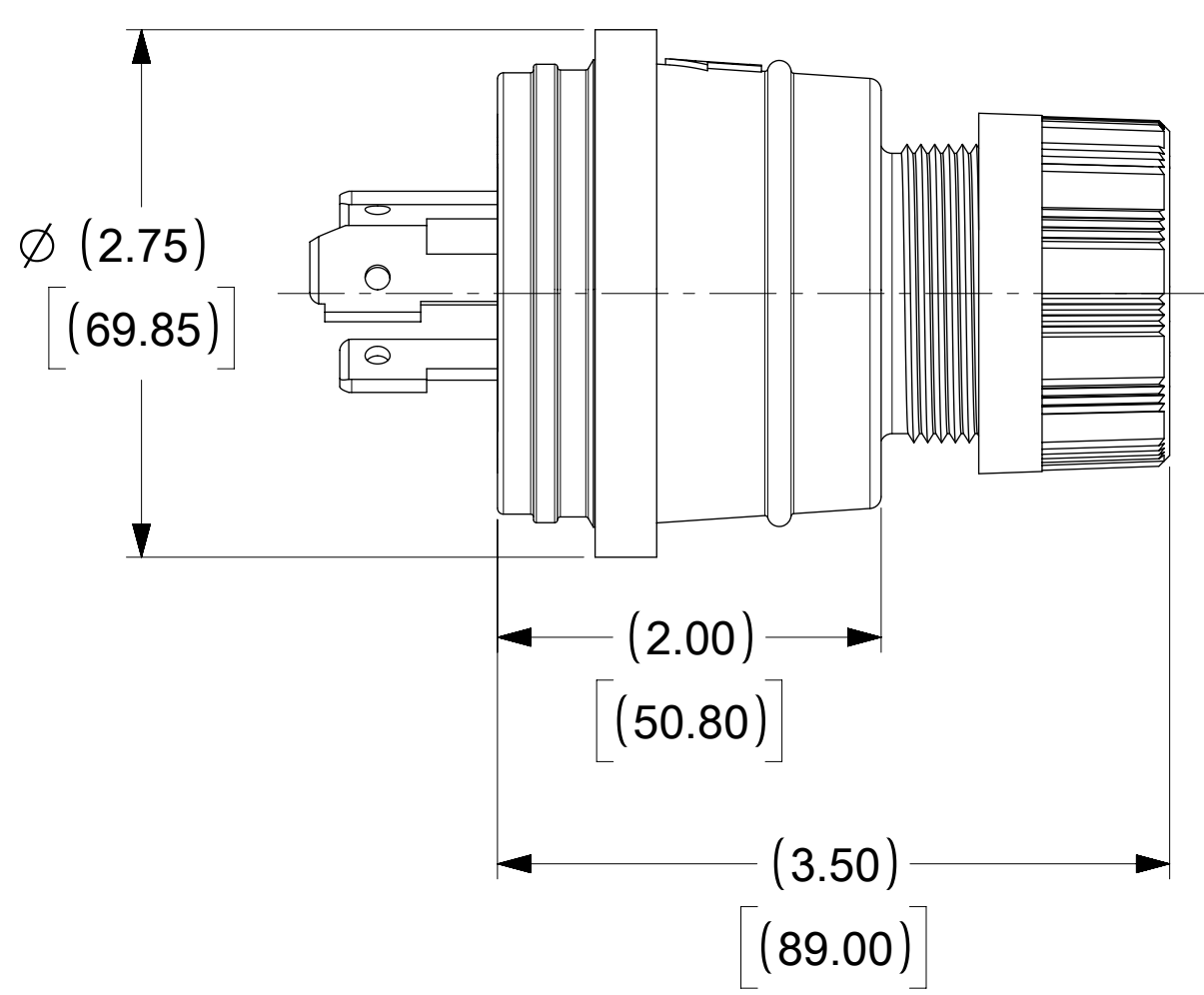


ORDER NO.	WOODHEAD NO.	COLOR
130147-0272	28W08-P	YELLOW



FACE VIEW



ITEM NO.	DESCRIPTIONS	MATERIAL	QTY.
1	BLADE	BRASS, NICKEL PLATED	3
2	RETAINING SCREWS	STAINLESS STEEL	3
3	CLAMP AND TERMINAL SCREW ASSY	BRASS, ZINC PLATED	3
4	INSERT	NYLON	1
5	TERMINAL COVER	POLYCARBONATE	1
6	HOUSING	SILICON WITH NYLON THREAD	1
7	GROMMET	RUBBER	1
8	FRICTION RING	NYLON	1
9	COMPRESSION NUT	NYLON	1

SYMBOLS		THIS DRAWING CONTAINS INFORMATION THAT IS PROPRIETARY TO MOLEX ELECTRONIC TECHNOLOGIES, LLC AND SHOULD NOT BE USED WITHOUT WRITTEN PERMISSION	
∇ = 0	DIMENSION UNITS	SCALE	CURRENT REV DESC: RELEASED
∇ = 0	INCH[MM]	NTS	molex WATERTITE CONNECTOR TURNEX 3P3W NON-NEMA
∇ = 0	GENERAL TOLERANCES (UNLESS SPECIFIED)		
∇ = 0	ANGULAR TOL	± °	EC NO: 614291 DRWN: DSOPPIN 2018/12/19 CHK'D: DNGUYEN62 2019/03/28 APPR: HKNEELAND 2019/03/30
∇ = 0	4 PLACES	±	
∇ = 0	3 PLACES	±	INITIAL REVISION: DRWN: DSOPPIN 2018/12/19 APPR: HKNEELAND 2019/03/30
∇ = 0	2 PLACES	±	
∇ = 0	1 PLACE	±	DOCUMENT NUMBER 1301470272 DOC TYPE DOC PART REVISION PSD 000 A
∇ = 0	0 PLACES	±	
∇ = 0	DRAFT WHERE APPLICABLE MUST REMAIN WITHIN DIMENSIONS	THIRD ANGLE PROJECTION	MATERIAL NUMBER SEE TABLE CUSTOMER GENERAL MARKET SHEET NUMBER 1 OF 1
∇ = 0		DRAWING SERIES C-SIZE 130147	