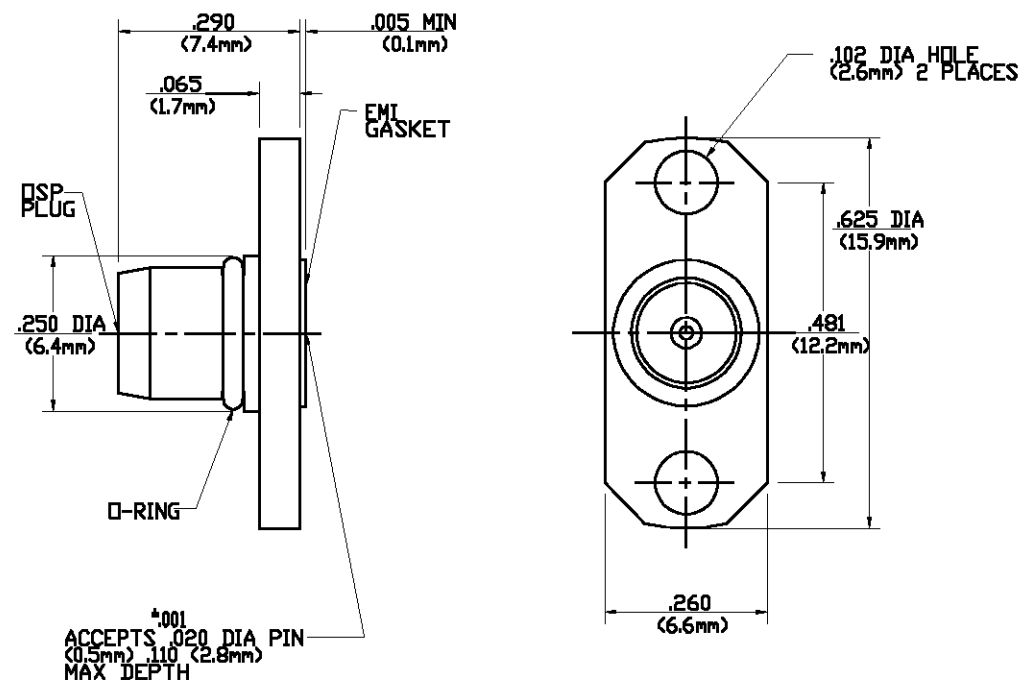
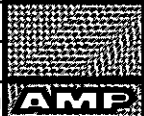


REVISIONS			
REV	DESCRIPTION	DATE	APPROVED
01 0	RELEASED	3/29/89	<i>DeMello</i>
B	REVISED PER ECN 0U20-0262-01	G.V. 12/16/02	JGH



NOTES:
1. CAPTURED CENTER CONTACT

HOUSING	STAINLESS STEEL PER ASTM-A484 AND ASTM-A582, TYPE 303	PASSIVATE PER ASTM-A380
DIELECTRIC	TFE FLUOROCARBON PER MIL-P-19468, AND FED SPEC L-P-403	N/A
CENTER CONTACT	BERYLLIUM COPPER PER QQ-C-530, ALLOY 173	GOLD PLATE PER MIL-G-45204 OVER COPPER PLATE PER MIL-C-14550
EMI GASKET	CONDUCTIVE SILVER/SILICONE ELASTOMERS	N/A
O-RING	FLUOROSILICONE PER MIL-R-25988, CLASS I, TYPE I.	N/A

COMPONENT	MATERIAL	FINISH
UNLESS OTHERWISE SPECIFIED DIMENSIONS ARE IN INCHES	DRAWN BY BB DATE 3-27-89	 AMP Incorporated 140 Fourth Avenue Waltham, MA 02451-7599
TOLERANCE ON	CHECKED BY M.Y. DATE 3-29-89	
FRAC. DEC. ANGLES ± 1/84 ± .005 ± 1'	APPROVED BY <i>DeMello</i> DATE 3-29-89	
These drawings and specifications are the property of Dnnl Spectra Incorporated and shall not be reproduced or copied or used in whole or in part as the basis for the manufacture or sale of item(s) without written permission.	USE ASS'Y PROCEDURE NO. A.P. N/A	TITLE DSP 2-HOLE FLANGE MOUNT PLUG RECEPTACLE WITH EMI GASKET-SOCKET TERMINAL SIZE B CODE IDENT NO. 26805 4551-5025-02 REV 01 0 SCALE SHEET 1 OF 1

CUSTOMER DRAWING

AMP PART # 1059577-1
SHEET 1 OF 1 REV B