

注記
NOTES

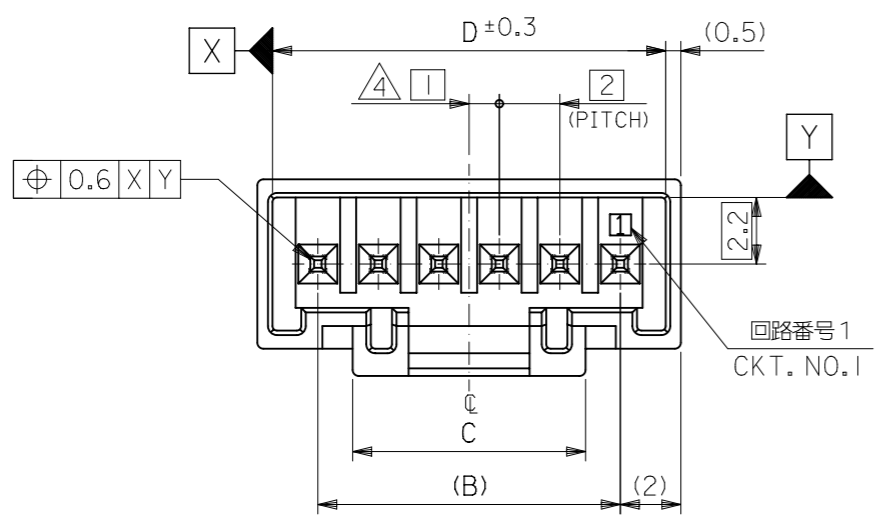
- 材料 MATERIAL
ピン : 黄銅, 銅下地 錫メッキ
PIN : BRASS, TIN OVER Cu PLATED
ヘッダー : 66ナイロン (ガラス入り: 20%), UL94V-0
(色: 自然色もしくは染色)
HEADER : NYLON66(G.F.: 20%), UL94V-0
(COLOR : NATURAL OR DYED COLOR)
- 嵌合相手 : 51216シリーズ
MATE WITH : 51216 SERIES
- ソルダーテールキックは、両端のピンのみとする。
KINK TO BE APPLIED FOR 2 PINS AT BOTH ENDS.
- 偶数極に適用。
APPLY EVEN CIRCUIT PRODUCTS.
- 本製品は 55755**10 の鉛フリー品である。
THIS PRODUCT IS LEAD FREE OF 55755**10.
- ELV及びRoHS適合品。
ELV AND RoHS COMPLIANT.

5	6	2	6	557550214	557550219	2
D	C	B	A	MATERIAL NO. BLUE	MATERIAL NO. NATURAL	CKT.
TRAY PACKAGE						
オーダー番号 ORDER NO.						
CONNECTOR SERIES NO. 55755****						

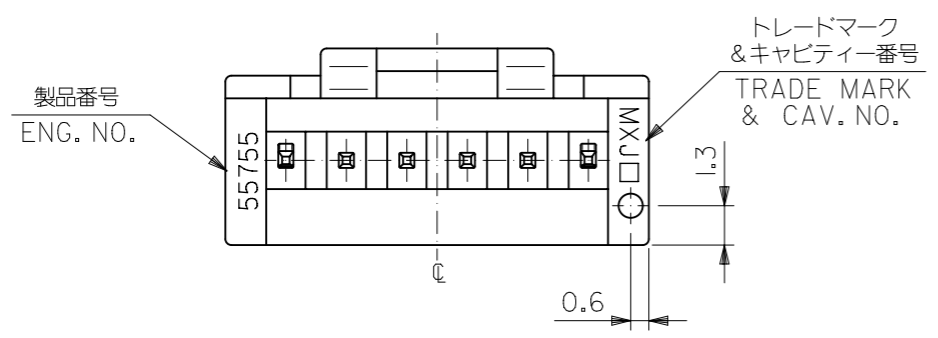
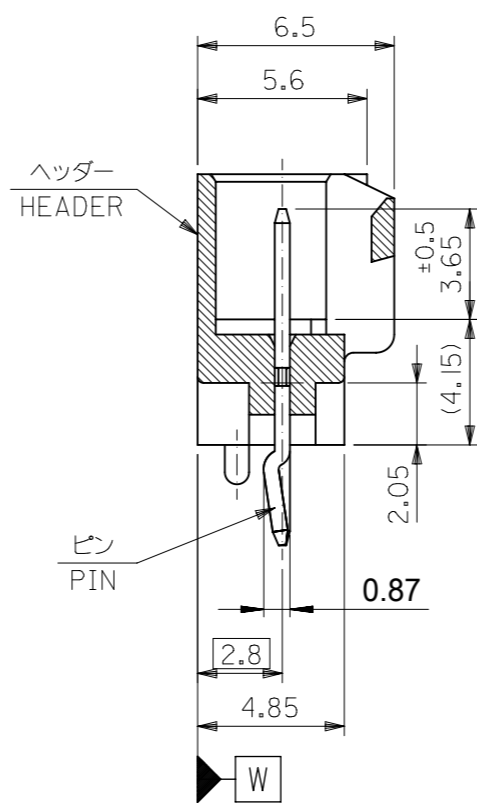
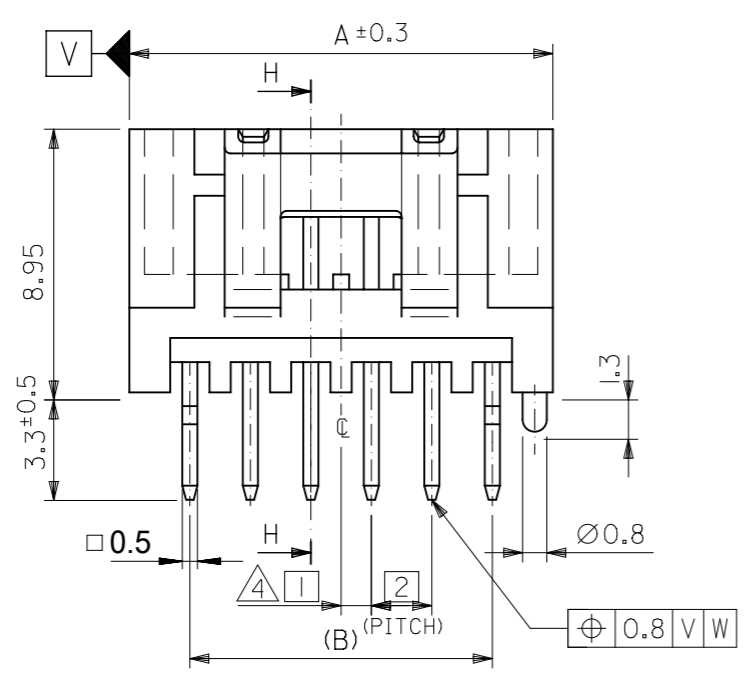
GENERAL TOLERANCES (UNLESS SPECIFIED)	
10 ^{UNDER}	±0.2
10 ^{OVER} 30 ^{UNDER}	±0.25
30 ^{OVER}	±0.3
ANGULAR ±3°	
DRAFT WHERE APPLICABLE MUST REMAIN WITHIN DIMENSIONS	

THIS DRAWING CONTAINS INFORMATION THAT IS PROPRIETARY TO MOLEX ELECTRONIC TECHNOLOGIES, LLC AND SHOULD NOT BE USED WITHOUT WRITTEN PERMISSION

DIMENSION UNITS mm	SCALE 4:1	CURRENT REV DESC: OBSOLETE PART NUMBER AS PER PCN#508517	molex		
GENERAL TOLERANCES (UNLESS SPECIFIED)					
4 PLACES ±	MM	INCH	2.0 MM WIRE TO BOARD CONN. HEADER ASSY (ST) -LEAD FREE-		
3 PLACES ±			PRODUCT CUSTOMER DRAWING		
2 PLACES ±			DOCUMENT NUMBER		
1 PLACE ±			SD-55755-005		
0 PLACES ±			DOC TYPE DOC PART REVISION		
ANGULAR TOL ± 3.0°			PSD 001 B		
DRAFT WHERE APPLICABLE MUST REMAIN WITHIN DIMENSIONS			SHEET NUMBER		
THIRD ANGLE PROJECTION			1 OF 3		
DRAWING			MATERIAL NUMBER		
A3-SIZE			SEE TABLE		
SERIES			CUSTOMER		
55755			GENERAL MARKET		



3 極以上品



31	7.7	28	32		557551519	15
29		26	30		1419	14
27		24	28		1319	13
25		22	26		1219	12
23		20	24		1119	11
21		18	22		1019	10
19		16	20		0919	9
17		14	18		0819	8
15		12	16		0719	7
13		10	14		0619	6
11		8	12		0519	5
9		6	10	557550413	0419	4
7	7.7	4	8		557550319	3
D	C	B	A	MATERIAL NO. YELLOW	MATERIAL NO. NATURAL	CKT.

TRAY PACKAGE
 オーダー番号 ORDER NO.
 CONNECTOR SERIES NO. 55755****

THIS DRAWING CONTAINS INFORMATION THAT IS PROPRIETARY TO MOLEX ELECTRONIC TECHNOLOGIES, LLC AND SHOULD NOT BE USED WITHOUT WRITTEN PERMISSION

GENERAL TOLERANCES (UNLESS SPECIFIED)	
10 ^{UNDER}	±0.2
10 ^{OVER} 30 ^{UNDER}	±0.25
30 ^{OVER}	±0.3
ANGULAR ±3°	
DRAFT WHERE APPLICABLE MUST REMAIN WITHIN DIMENSIONS	

DIMENSION UNITS	SCALE
mm	4:1
GENERAL TOLERANCES (UNLESS SPECIFIED)	
	MM
	INCH
4 PLACES	±
3 PLACES	±
2 PLACES	±
1 PLACE	±
0 PLACES	±
ANGULAR TOL	± 3.0°
DRAFT WHERE APPLICABLE MUST REMAIN WITHIN DIMENSIONS	

EC NO: 667105
 DRWN: SUGEEB
 CHK'D: GGA
 APPR: GGA
 INITIAL REVISION:
 DRWN: M.NABEI
 APPR: N.UKITA

2021/05/29
 2021/06/29
 2021/06/29

2005/01/24
 2005/01/24

THIRD ANGLE PROJECTION

DRAWING A3-SIZE

SERIES 55755

MATERIAL NUMBER SEE TABLE

CUSTOMER GENERAL MARKET

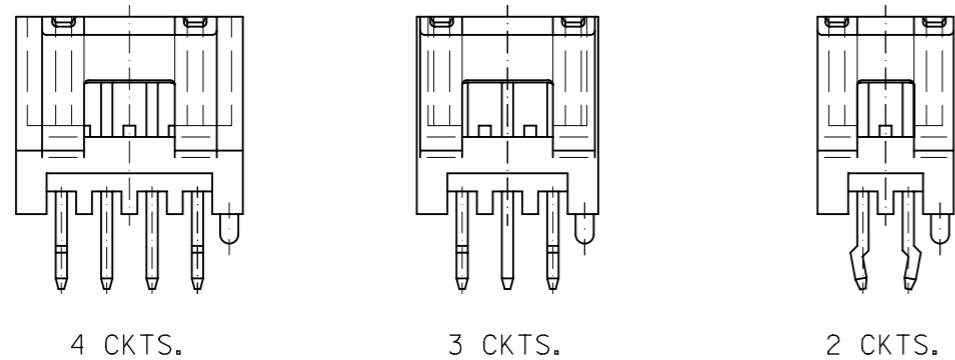
SHEET NUMBER 2 OF 3

DOCUMENT NUMBER SD-55755-005

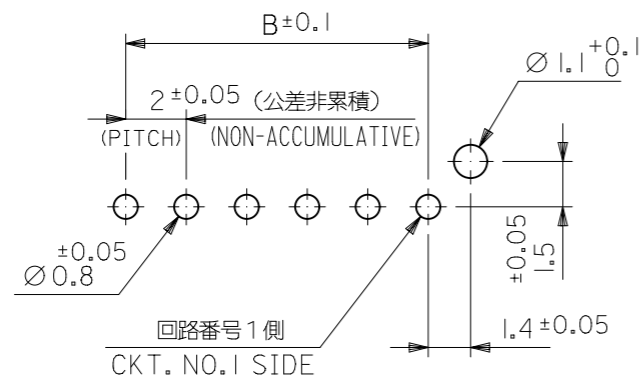
DOC TYPE PSD

DOC PART 001

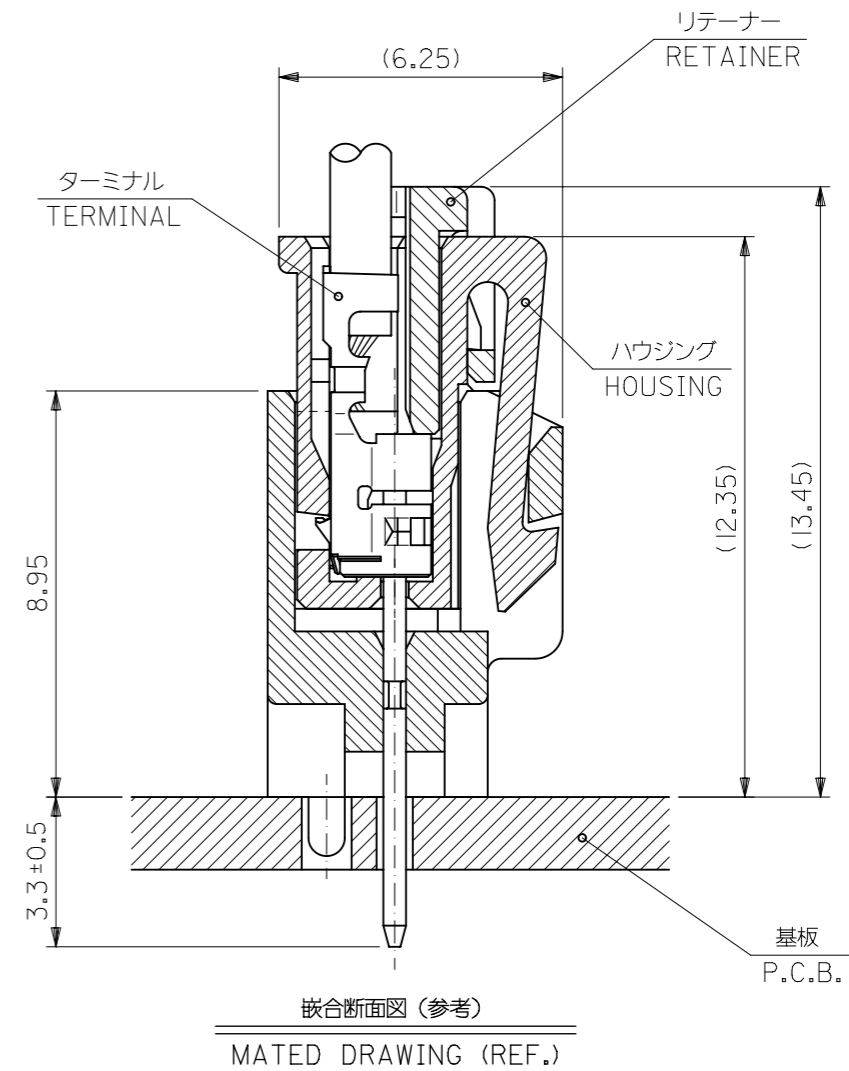
REVISION B



極数レイアウト図
LAYOUT OF EACH CKTS.

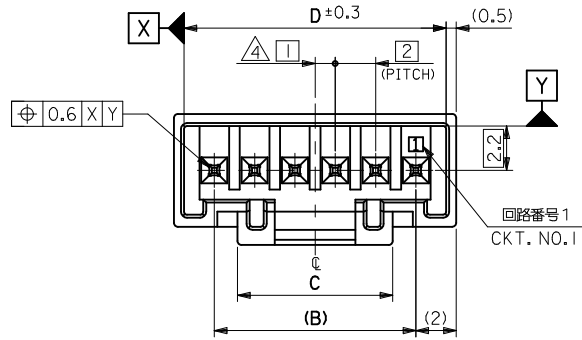


基板取付穴推奨寸法 (マウント面)
RECOMMENDED P.C.BOARD
HOLE DIMENSION
(MOUNTING SIDE)
($t = 1.6$)

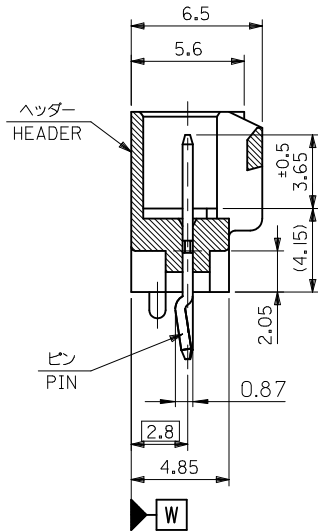
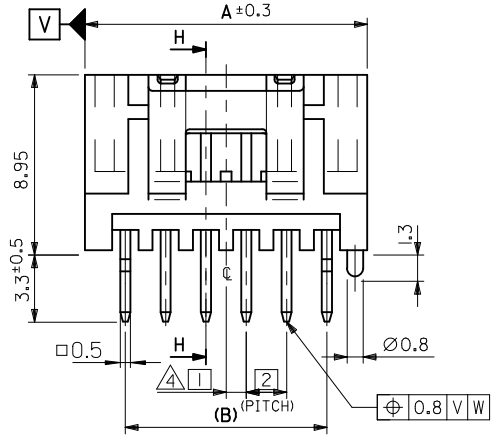


THIS DRAWING CONTAINS INFORMATION THAT IS PROPRIETARY TO MOLEX ELECTRONIC TECHNOLOGIES, LLC AND SHOULD NOT BE USED WITHOUT WRITTEN PERMISSION

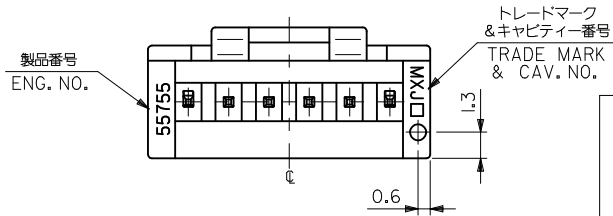
DIMENSION UNITS		SCALE		CURRENT REV DESC: OBSOLETE PART NUMBER AS PER PCN#508517		molex	
mm		4:1					
GENERAL TOLERANCES (UNLESS SPECIFIED)				EC NO: 667105		2021/05/29	
10 ^{UNDER} ±0.2				DRWN: SUGEEB		2021/06/29	
10 ^{OVER} 30 ^{UNDER} ±0.25				CHK'D: GGA		2021/06/29	
30 ^{OVER} ±0.3				APPR: GGA		2021/06/29	
ANGULAR ±3°				INITIAL REVISION:		DOCUMENT NUMBER	
DRAFT WHERE APPLICABLE MUST REMAIN WITHIN DIMENSIONS				DRWN: M.NABEI		2005/01/24	
ANGULAR TOL ± 3.0°				APPR: N.UKITA		2005/01/24	
DRAFT WHERE APPLICABLE MUST REMAIN WITHIN DIMENSIONS				THIRD ANGLE PROJECTION		DRAWING	
				A3-SIZE		SERIES	
						MATERIAL NUMBER	
						CUSTOMER	
						SHEET NUMBER	
						SD-55755-005	
						PSD 001 B	
						SEE TABLE	
						GENERAL MARKET	
						3 OF 3	



3極以上品



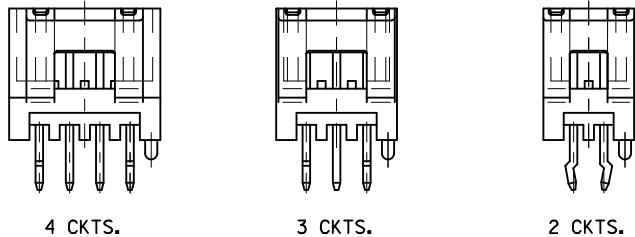
SECT H-H



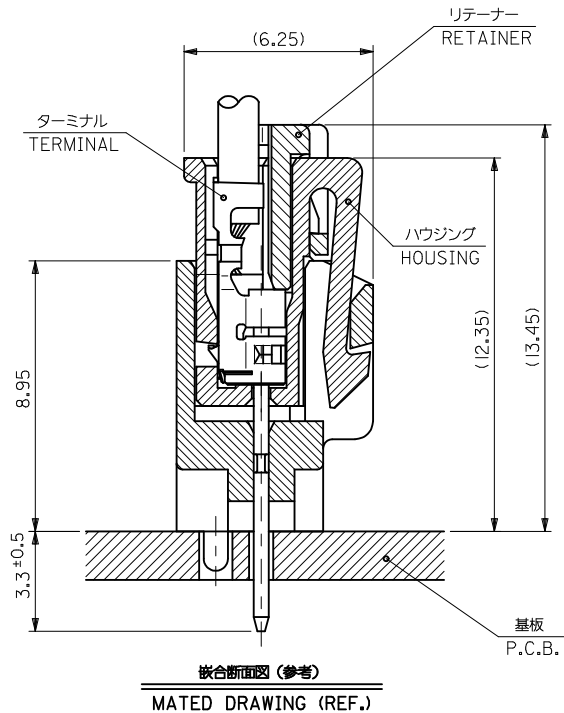
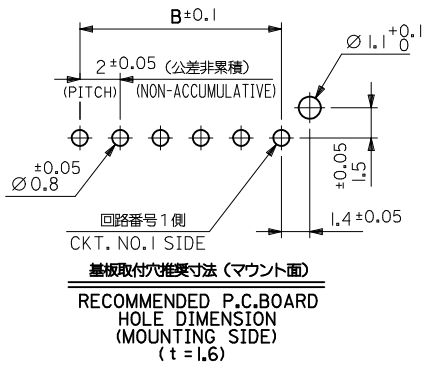
31	7.7	28	32		557551519	15
29		26	30		1419	14
27		24	28		1319	13
25		22	26		1219	12
23		20	24		1119	11
21		18	22		1019	10
19		16	20		0919	9
17		14	18		0819	8
15		12	16		0719	7
13		10	14	557550613	0619	6
11		8	12		0519	5
9		6	10	557550413	0419	4
7	7.7	4	8		557550319	3
D	C	B	A	MATERIAL NO. YELLOW	MATERIAL NO. NATURAL	CKT.
TRAY PACKAGE						
オーダー番号 ORDER NO.						
CONNECTOR SERIES NO. 55755****						

REVISED EC NO: J2012-0275 2011/08/24 DRW: NESATO 2011/08/25 CHKD: KASAKAWA 2011/09/27 APPR: NUKITA	DESCRIPTION GENERAL TOLERANCES (UNLESS SPECIFIED)	10 UNDER	± 0.2	DIMENSION STYLE MM ONLY	SCALE 4:1	DESIGN UNITS METRIC	THIRD ANGLE PROJECTION
		10 OVER 30 UNDER	± 0.25				
		30 OVER	± 0.3				
		ANGULAR	± 3 °				
A	REV	DRAFT WHERE APPLICABLE MUST REMAIN WITHIN DIMENSIONS		SIZE A3	THIS DRAWING CONTAINS INFORMATION THAT IS PROPRIETARY TO MOLEX INCORPORATED AND SHOULD NOT BE USED WITHOUT WRITTEN PERMISSION		

DRAWN BY M. NABEI		DATE '05/01/24	TITLE 2.0 MM WIRE TO BOARD CONN. HEADER ASSY (ST) -LEAD FREE-
CHECKED BY K. TOYODA		DATE '05/01/24	MOLEX MOLEX INCORPORATED
APPROVED BY N. UKITA		DATE '05/01/24	
MATERIAL NO.		DOCUMENT NO. SD-55755-005	SHEET NO. 2 OF 3



極数レイアウト図
LAYOUT OF EACH CKTS.



REVISED EC NO: J2012-0275 2011/08/24 DRW: NESATO 2011/08/25 CHKD: KASAKAWA 2011/09/27 APPR: NUKITA	DESCRIPTION A	GENERAL TOLERANCES (UNLESS SPECIFIED)		DIMENSION STYLE MM ONLY	SCALE 4:1	DESIGN UNITS METRIC	THIRD ANGLE PROJECTION	
		10 UNDER	± 0.2	DRAWN BY M. NABEI	DATE '05/01/24	TITLE 2.0 MM WIRE TO BOARD CONN. HEADER ASSY (ST) -LEAD FREE-		
		10 OVER 30 UNDER	± 0.25	CHECKED BY K. TOYODA	DATE '05/01/24	MOLEX INCORPORATED		
		30 OVER	± 0.3	APPROVED BY N. UKITA	DATE '05/01/24	MATERIAL NO. SEE SHHE12	DOCUMENT NO. SD-55755-005	SHEET NO. 3 OF 3
ANGULAR ± 3 °		DRAFT WHERE APPLICABLE MUST REMAIN WITHIN DIMENSIONS		THIS DRAWING CONTAINS INFORMATION THAT IS PROPRIETARY TO MOLEX INCORPORATED AND SHOULD NOT BE USED WITHOUT WRITTEN PERMISSION				