

ULP SERIES PUSHBUTTON SWITCH

ANTI-VANDAL SWITCHES
 DETECTOR SWITCHES
 DIP SWITCHES
 KEYLOCK SWITCHES
 NAVIGATION SWITCHES
PUSHBUTTON SWITCHES
 ROCKER SWITCHES
 ROTARY SWITCHES
 SLIDE SWITCHES
 SNAP ACTION SWITCHES
 TACTILE SWITCHES
 TOGGLE SWITCHES
 CAP OPTIONS



APPLICATIONS / MARKETS



RoHS

SPECIFICATIONS

Electrical Rating: Silver: .5A @ 25VDC
 Gold: 0.1A Max @ 28VDC
Electrical Life: 200,000 Cycles
Contact Resistance: Silver: 50mΩ Max. initial
 Gold: 100mΩ Max. initial
Insulation Resistance: 100 MΩ Min. @ 500VDC
Dielectric Strength: 1,000VAC
Operating/Storage Temperature: -40°C to 85°C
Travel: 2.20mm
Contact Arrangement: SPDT, DPDT
Actuation Force: SPDT: 200gf; DPDT: 300 gf
Panel Thickness: 0.75-3.0mm (panel mount version only)

FEATURES & BENEFITS

- Single pole or double pole functions
- Multiple color options including RGB color
- Multiple cap color and style options
- PC pin or solder lug termination
- Latching or momentary options
- Gold or silver contact material

PART NUMBER CONFIGURATOR

Series	Circuit Options	Mechanical Configuration Options	Termination Options	Contact Material Options	Cap Style Options	Cap Color Options	LED #1 Options	LED #2 Options
<input type="text" value="ULP"/>	<input type="text" value="12- SPDT"/> <input type="text" value="22 - DPDT"/>	<input type="text" value="EE - Latching"/> <input type="text" value="OA - Momentary"/>	<input type="text" value="P1 - PC Pins"/> <input type="text" value="M1 - Solder Lug"/>	<input type="text" value="Q - Silver"/> <input type="text" value="R - Gold"/>	<input type="text" value="SS - Square Sculptured"/> <input type="text" value="SF - Square Flat"/> <input type="text" value="PM - Panel Mount"/> <input type="text" value="LS - Large Sculptured"/>	<input type="text" value="CL1 - Clear Lens / White Diffuser"/> <input type="text" value="OP1 - Black Opaque"/>	<input type="text" value="NIL - No LED"/> <input type="text" value="BLU - Blue"/> <input type="text" value="GRN - Green"/> <input type="text" value="RED - Red"/> <input type="text" value="YEL - Yellow"/> <input type="text" value="RGB - Red-Green-Blue"/>	<input type="text" value="NIL - No LED"/> <input type="text" value="BLU - Blue"/> <input type="text" value="GRN - Green"/> <input type="text" value="RED - Red"/> <input type="text" value="YEL - Yellow"/>

NOTES:
 1) M1 Termination is only available with Panel Mount Cap Style
 2) P1 Termination is not available with Panel Mount cap Style
 3) OP1 Cap Color (black opaque) is not available with LEDs
 4) When ordering RGB LED option, no designation is required for LED#2

Specifications subject to change without notice 6.27.2022

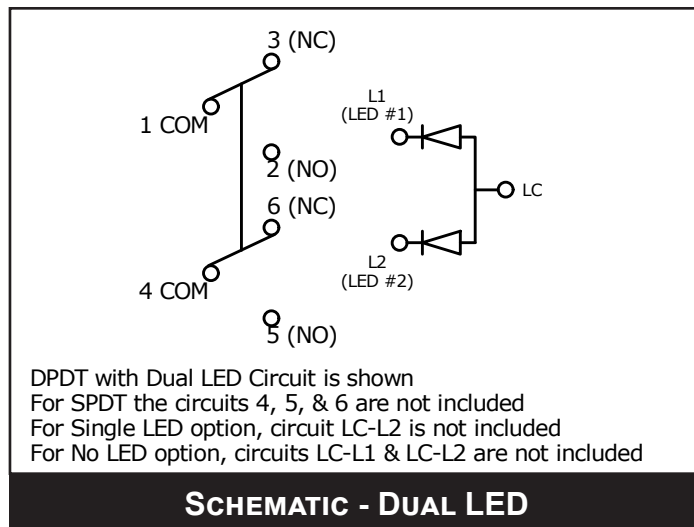
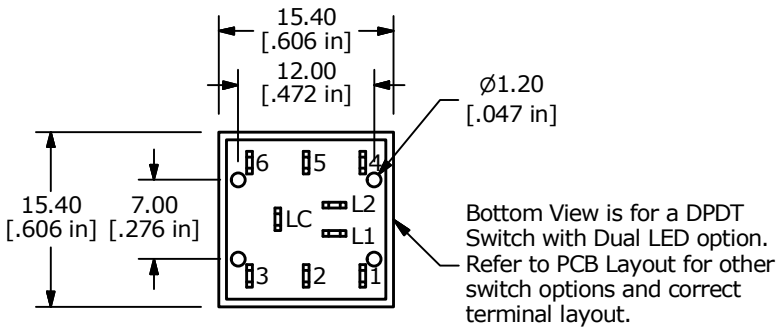
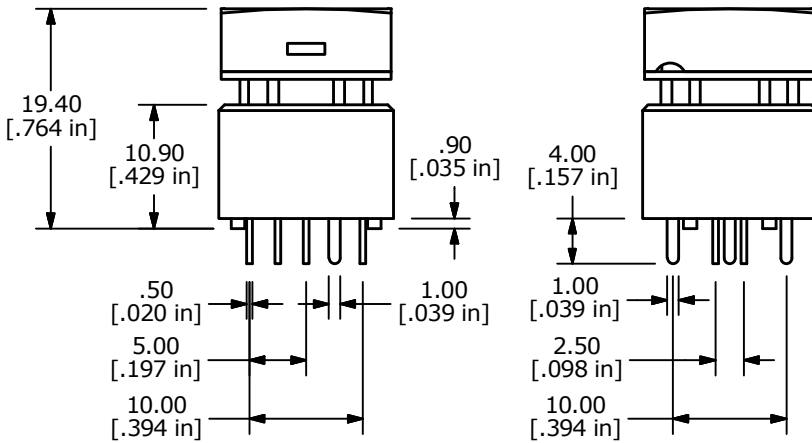
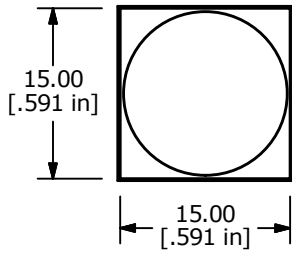


E-SWITCH®

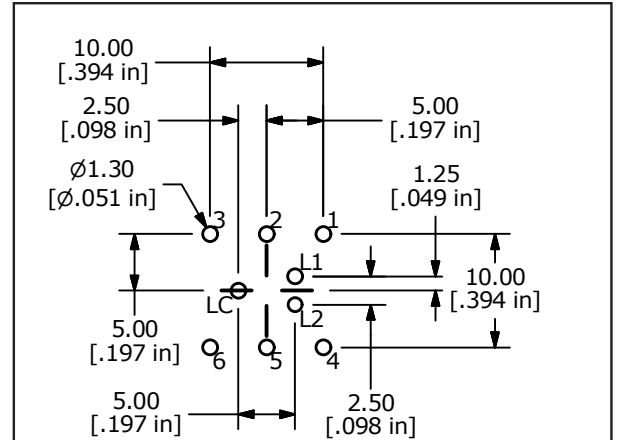
www.e-switch.com 800.867.2717

ULP SERIES PUSHBUTTON SWITCH

ACTUATOR OPTIONS - SQUARE SCULPTURED

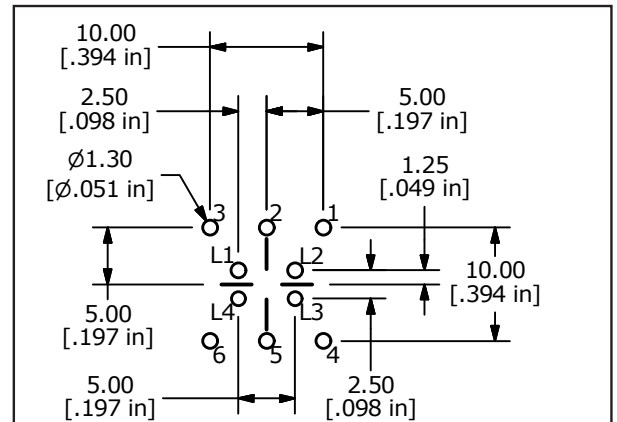


SCHEMATIC - DUAL LED



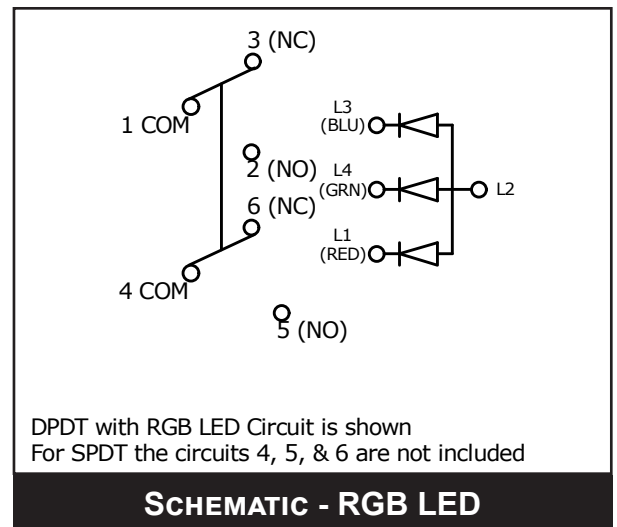
DPDT (ULP22) Layout is Shown
For SPDT (ULP11) holes 4, 5, & 6 are not required.
For Single LED option, hole L2 is not required
For No LED option, holes L1, L2, & LC are not required

PCB LAYOUT - DUAL LED



DPDT (ULP22) Layout is Shown
For SPDT (ULP11) holes 4, 5, & 6 are not required.

PCB LAYOUT - RGB LED



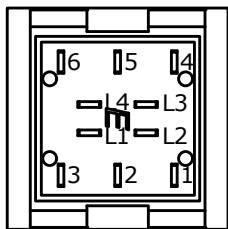
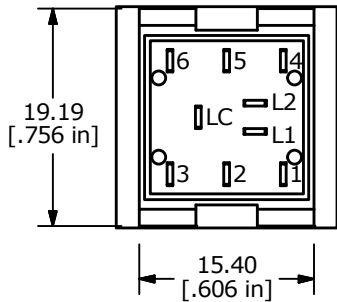
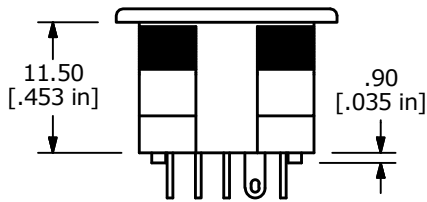
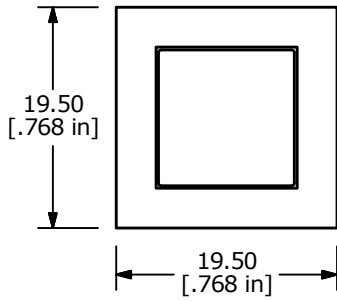
SCHEMATIC - RGB LED



ANTI-VANDAL SWITCHES
DETECTOR SWITCHES
DIP SWITCHES
KEYLOCK SWITCHES
NAVIGATION SWITCHES
PUSHBUTTON SWITCHES
ROCKER SWITCHES
ROTARY SWITCHES
SLIDE SWITCHES
SNAP ACTION SWITCHES
TACTILE SWITCHES
TOGGLE SWITCHES
CAP OPTIONS

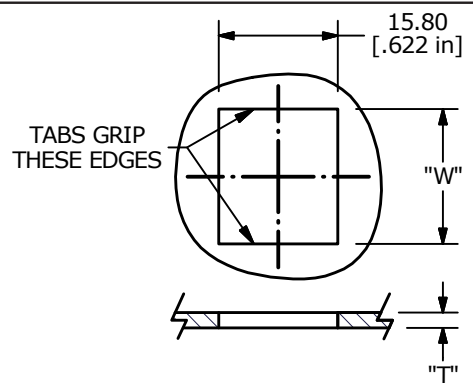
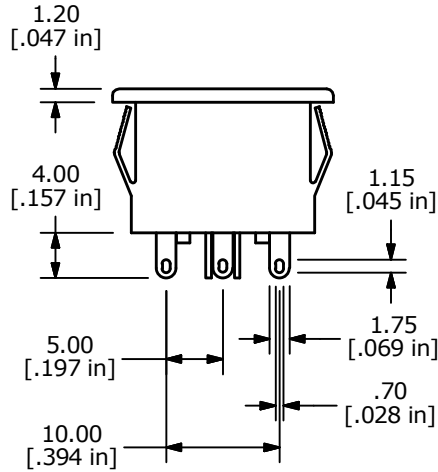
ULP SERIES PUSHBUTTON SWITCH

ACTUATOR OPTIONS - PANEL MOUNT



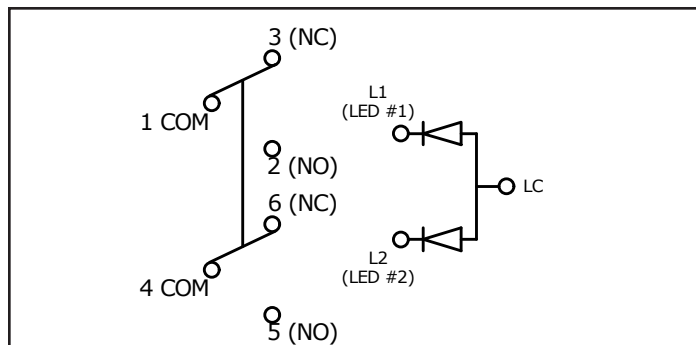
Bottom View of a DPDT Switch with Dual LED option. Refer to Schematic for one LED, zero LED, and SPST options for correct terminal layout.

Bottom View of a DPDT Switch with RGB LED option. Refer to Schematic for SPST option and correct terminal layout.



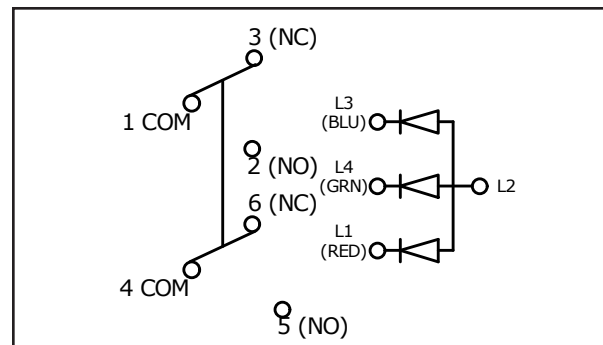
Panel Cut-out	
Dim "T"	Dim "W"
.75-1.25mm	17.6-17.8mm
1.25-2.0mm	17.8-18.0mm
2.0-3.0mm	18.0-18.2mm

RECOMMENDED PANEL CUTOUT



DPDT with Dual LED Circuit is shown
 For SPDT the circuits 4, 5, & 6 are not included
 For Single LED option, circuit LC-L2 is not included
 For No LED option, circuits LC-L1 & LC-L2 are not included

SCHEMATIC - DUAL LED



DPDT with RGB LED Circuit is shown
 For SPDT the circuits 4, 5, & 6 are not included

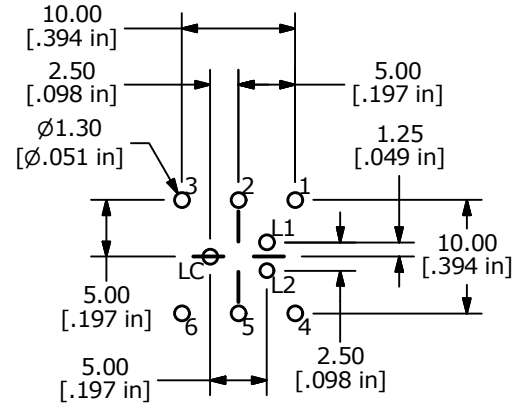
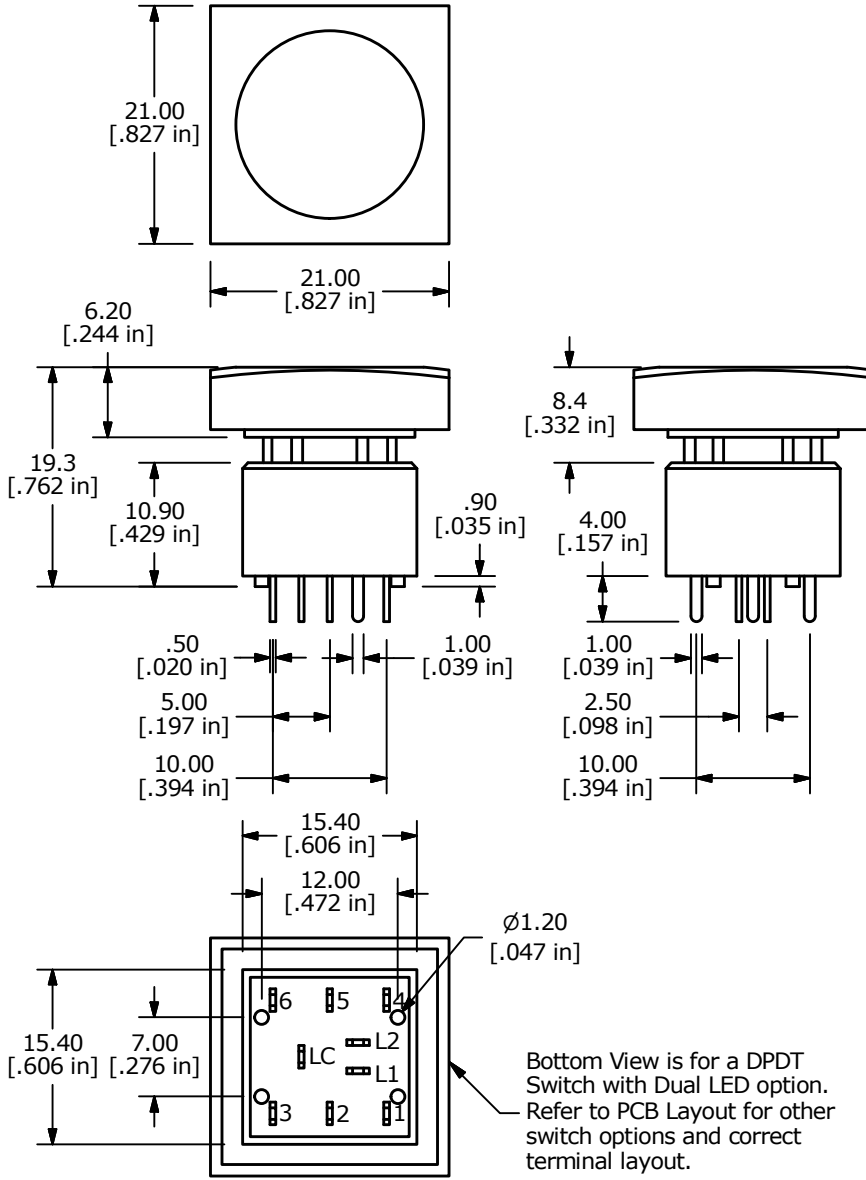
SCHEMATIC - RGB LED



ANTI-VANDAL SWITCHES
 DETECTOR SWITCHES
 DIP SWITCHES
 KEYLOCK SWITCHES
 NAVIGATION SWITCHES
PUSHBUTTON SWITCHES
 ROTARY SWITCHES
 ROTARY SWITCHES
 SLIDE SWITCHES
 SNAP ACTION SWITCHES
 TACTILE SWITCHES
 TOGGLE SWITCHES
 CAP OPTIONS

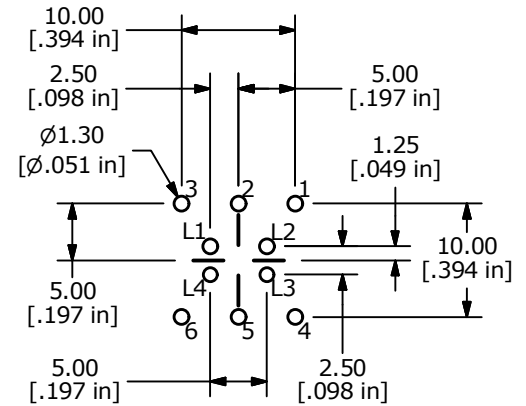
ULP SERIES PUSHBUTTON SWITCH

ACTUATOR OPTIONS - LARGE SCULPTURED



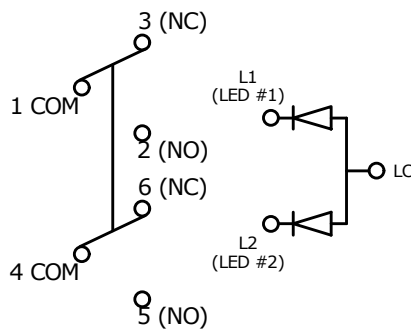
DPDT (ULP22) Layout is Shown
For SPDT (ULP11) holes 4, 5, & 6 are not required.
For Single LED option, hole L2 is not required
For No LED option, holes L1, L2, & LC are not required

PCB LAYOUT - DUAL LED



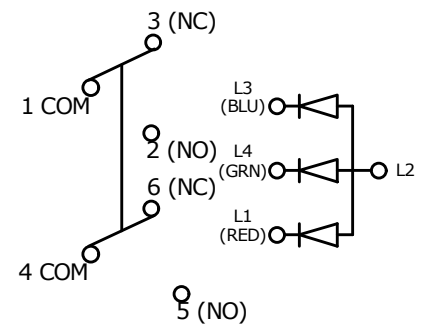
DPDT (ULP22) Layout is Shown
For SPDT (ULP11) holes 4, 5, & 6 are not required.

PCB LAYOUT - RGB LED



DPDT with Dual LED Circuit is shown
For SPDT the circuits 4, 5, & 6 are not included
For Single LED option, circuit LC-L2 is not included
For No LED option, circuits LC-L1 & LC-L2 are not included

SCHEMATIC - DUAL LED



DPDT with RGB LED Circuit is shown
For SPDT the circuits 4, 5, & 6 are not included

SCHEMATIC - RGB LED

