



Sensing and IoT
1985 Douglas Drive North
Golden Valley, MN 55442
honeywell.com

November 7, 2016

PRODUCT NOTIFICATION

Affected Honeywell Product: MLH Pressure Sensor with SAE J1926-2 Stud Connections
Product Numbers: MLHxxxxxx04x , MLHxxxxxx07x, MLHxxxxxx10x, MLHxxxxxx12x
Affected Male Thread Sizes: 3/8-24 UNF-2A; 7/16-20 UNF-2A; 2: 1/2-20 UNF-2A; 9/16-18 UNF-2A.
Affected Date Codes: All date codes.

Attention: Director of Quality

During a recent review of our MLH pressure sensor product line, we learned that MLH pressure sensors with SAE J1926 stud connections did not meet some of the dimensions called out by SAE J1926-2 Heavy Duty standard. The products impacted have been noted above and drawings indicating the dimensional variances from SAE J1926-2 are attached for your reference. These dimensional variances from the SAE J1926-2 standard could lead to an opportunity for leakage depending on specific customer application conditions and usage; however, Honeywell has not seen any failures in the MLH pressure sensor due to this deviation from the SAE J1926-2 standard within at least the 4 years preceding discovery of this issue.

Honeywell is currently working on a new design of the above-mentioned MLH pressure sensors so that, *except as otherwise noted on the attached drawings*, they meet the SAE J1926-2 standard. The new designs will be compatible with SAE J1926-1 female connections. The release date for the improved design has yet to be determined. **Honeywell is placing all sales and shipments of the current above-mentioned MLH pressure sensors on hold until the new design is released or until Honeywell receives a signed Acceptance of Variance from the OEM.**

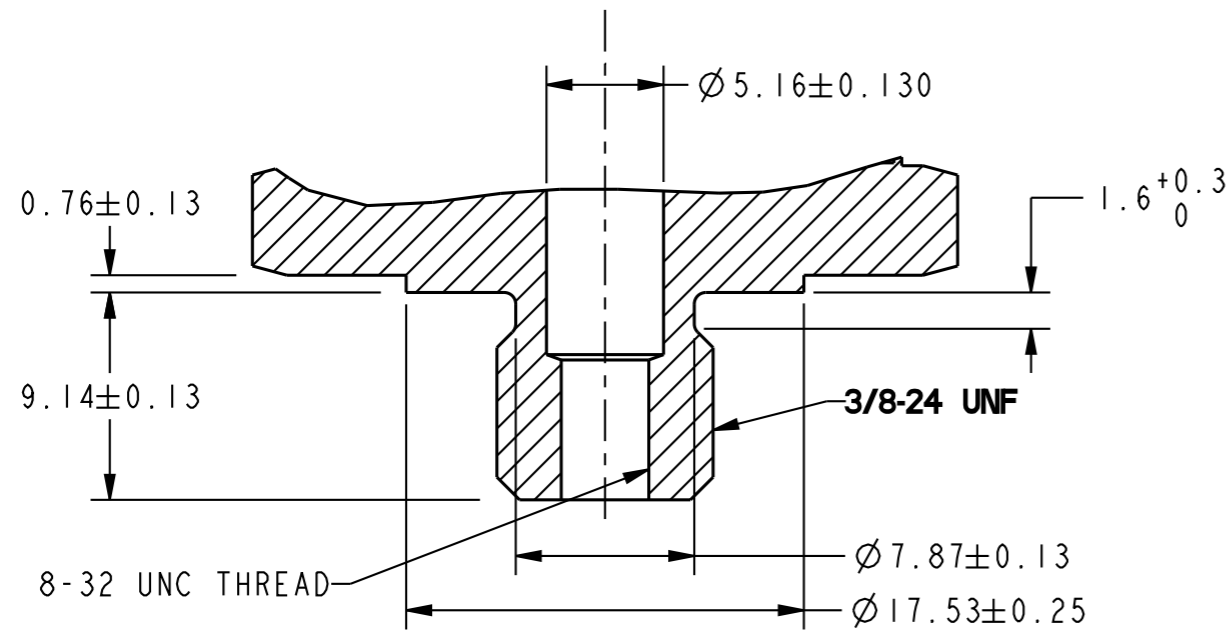
We apologize for any inconvenience this may cause and are committed to working closely with you in order to resolve any issue as quickly as possible.

Please contact your Honeywell Sales Representative with any questions.

Best regards,

Valerie Rothermel-Nelson
Sr. Global Product Marketing Manager, Honeywell Sensing & IoT
Valerie.rothermel@honeywell.com
+1 815 266 3143

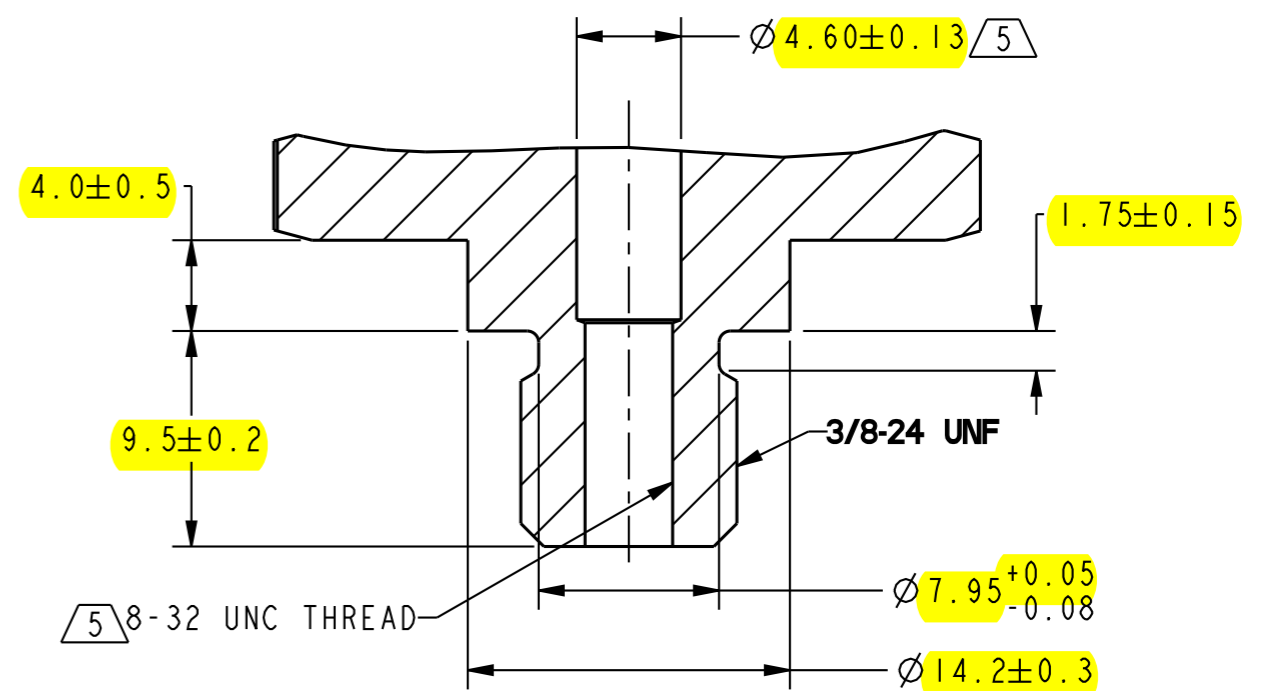
CURRENT DESIGN



NOTES:

- 1 - UNITS: MM UNLESS OTHERWISE SPECIFIED
- 2 - MATERIAL: 304L STAINLESS STEEL
- 3 - SEAL: AS568A-903 O-RING (INCLUDED)

NEW DESIGN



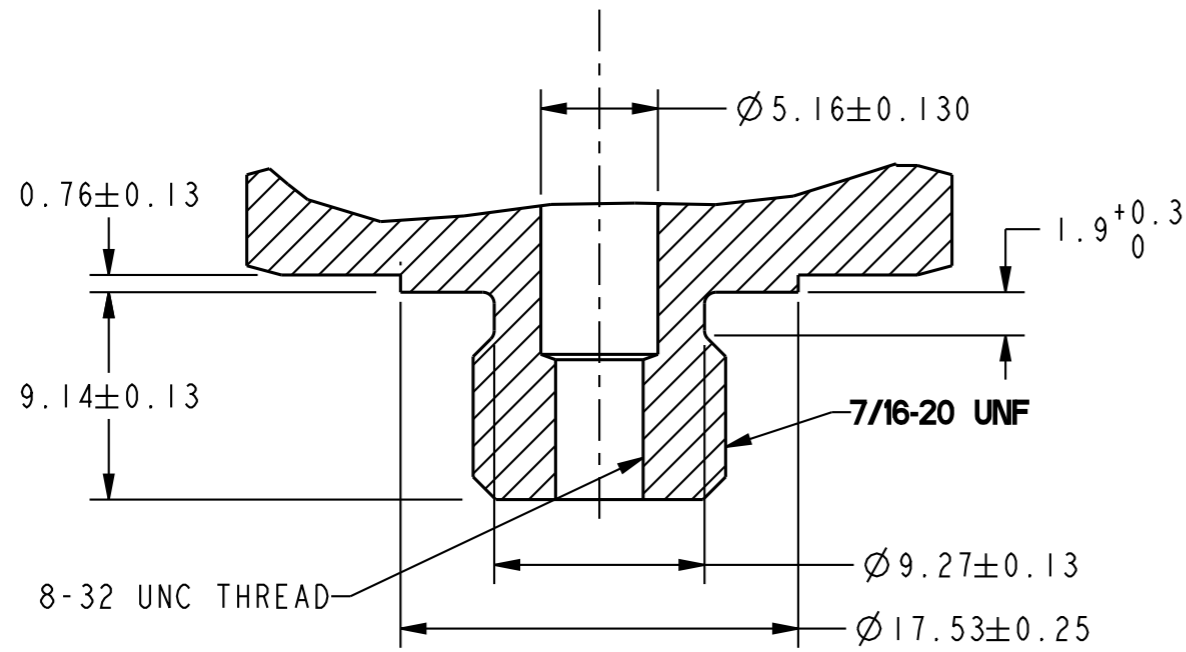
NOTES:

- 1 - UNITS: MM UNLESS OTHERWISE SPECIFIED
- 2 - MATERIAL: 304L STAINLESS STEEL
- 3 - SEAL: AS568A-903 O-RING (INCLUDED)
- 4 - STUD END PER SAE J1926-2: 3/8-24, EXCEPT AS NOTED
- 5 - DIMENSION DOES NOT CONFORM TO SAE J1926-2 STANDARD

Honeywell

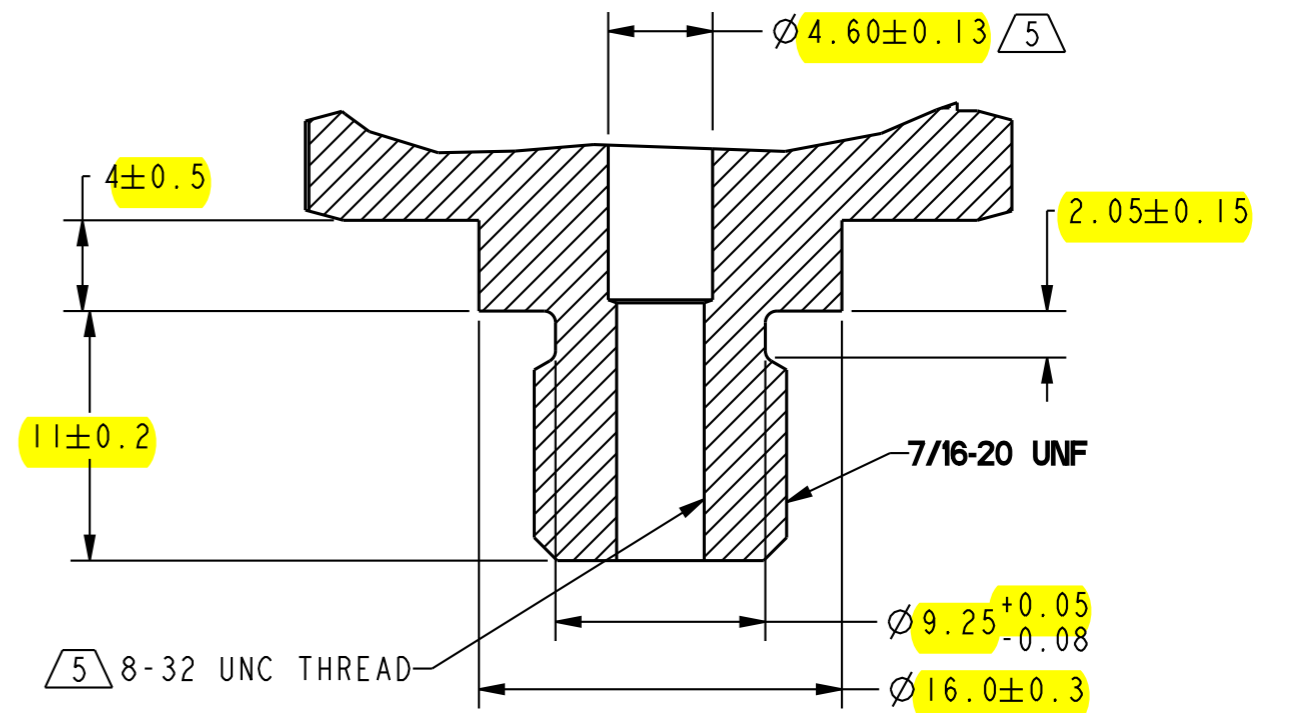
TITLE					
MLH SERIES HEAVY DUTY PRESSURE TRANSDUCER 3/8-24 UNF STRAIGHT THREADS WITH O-RING SEAL					
SIZE	CAGE CODE	DWG NO	TYPE	REV	
A3	-	-	I	-	
SCALE	3:1	REF WT:	-	SHEET	I OF 4

CURRENT DESIGN



- NOTES:
 1 - UNITS: MM UNLESS OTHERWISE SPECIFIED
 2 - MATERIAL: 304L STAINLESS STEEL
 3 - SEAL: AS568A-904 O-RING (INCLUDED)

NEW DESIGN

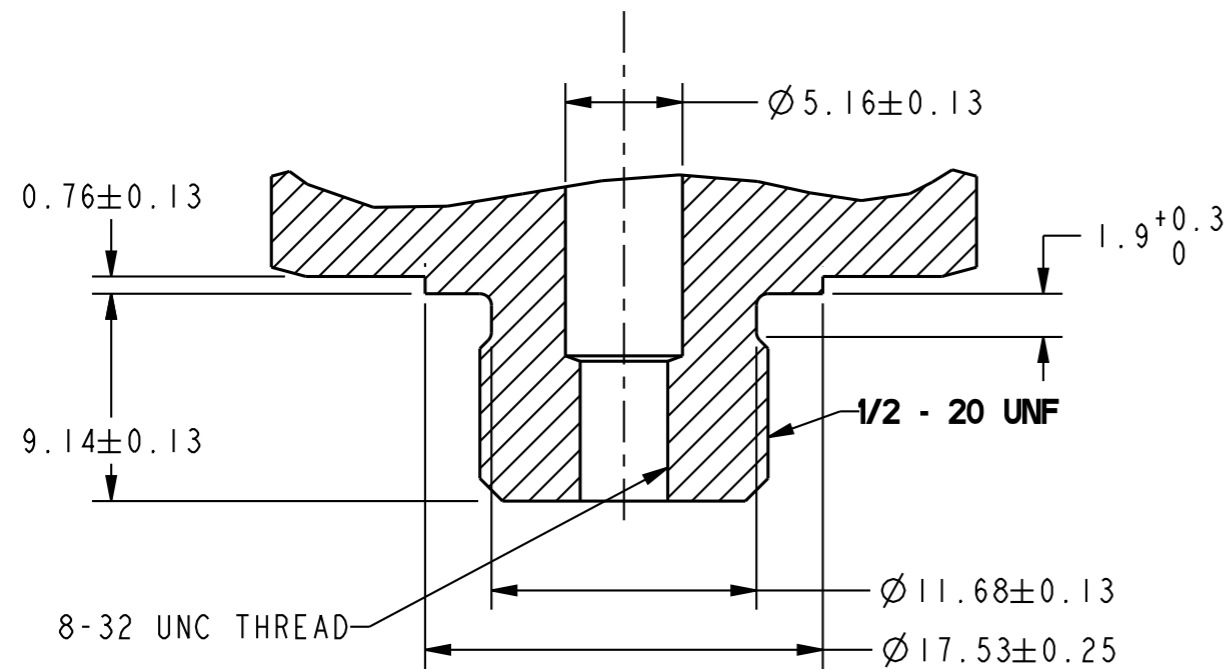


- NOTES:
 1 - UNITS: MM UNLESS OTHERWISE SPECIFIED
 2 - MATERIAL: 304L STAINLESS STEEL
 3 - SEAL: AS568A-904 O-RING (INCLUDED)
 4 - STUD END PER SAE J1926-2: 7/16-20, EXCEPT AS NOTED
 5 - DIMENSION DOES NOT CONFORM TO SAE J1926-2 STANDARD

Honeywell

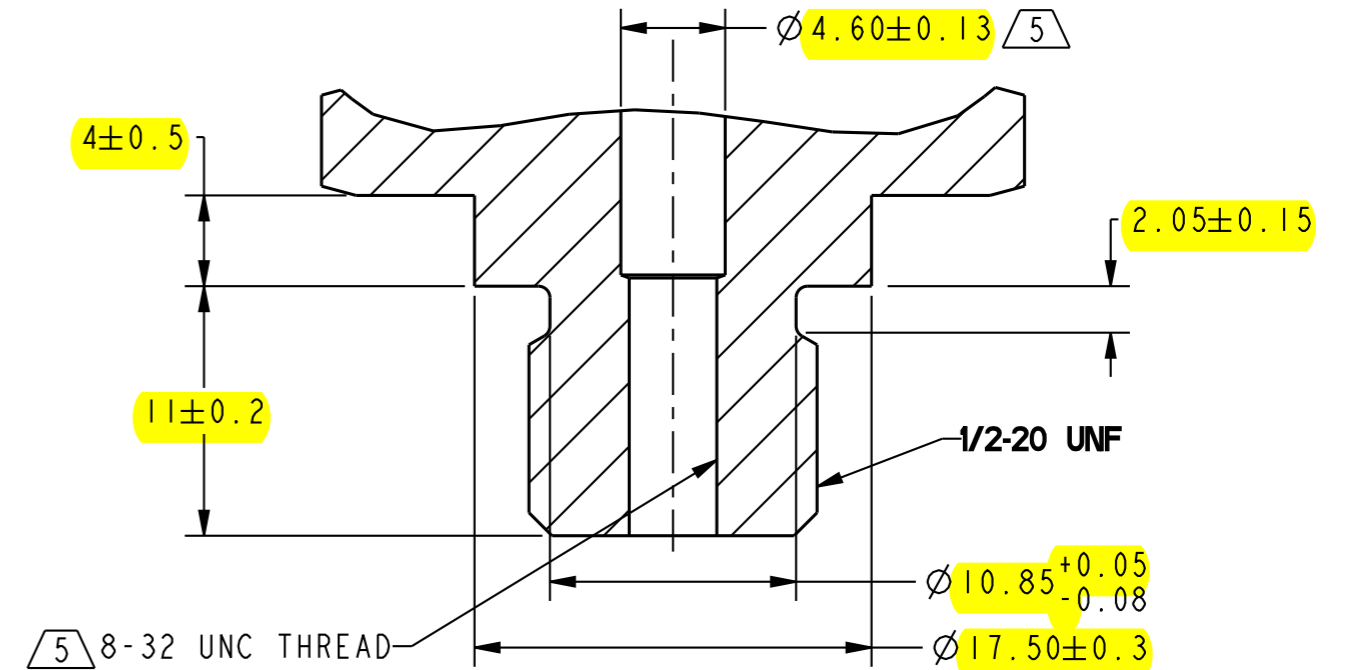
TITLE MLH SERIES HEAVY DUTY PRESSURE TRANSDUCER 7/16-20 UNF STRAIGHT THREADS WITH O-RING SEAL				
SIZE A3	CAGE CODE -	DWG NO -	TYPE I	REV -
SCALE 3:1	REF WT: -	SHEET 2 OF 4		

CURRENT DESIGN



- NOTES:
- 1 - UNITS: MM UNLESS OTHERWISE SPECIFIED
 - 2 - MATERIAL: 304L STAINLESS STEEL
 - 3 - SEAL: AS568A-905 O-RING (INCLUDED)

NEW DESIGN

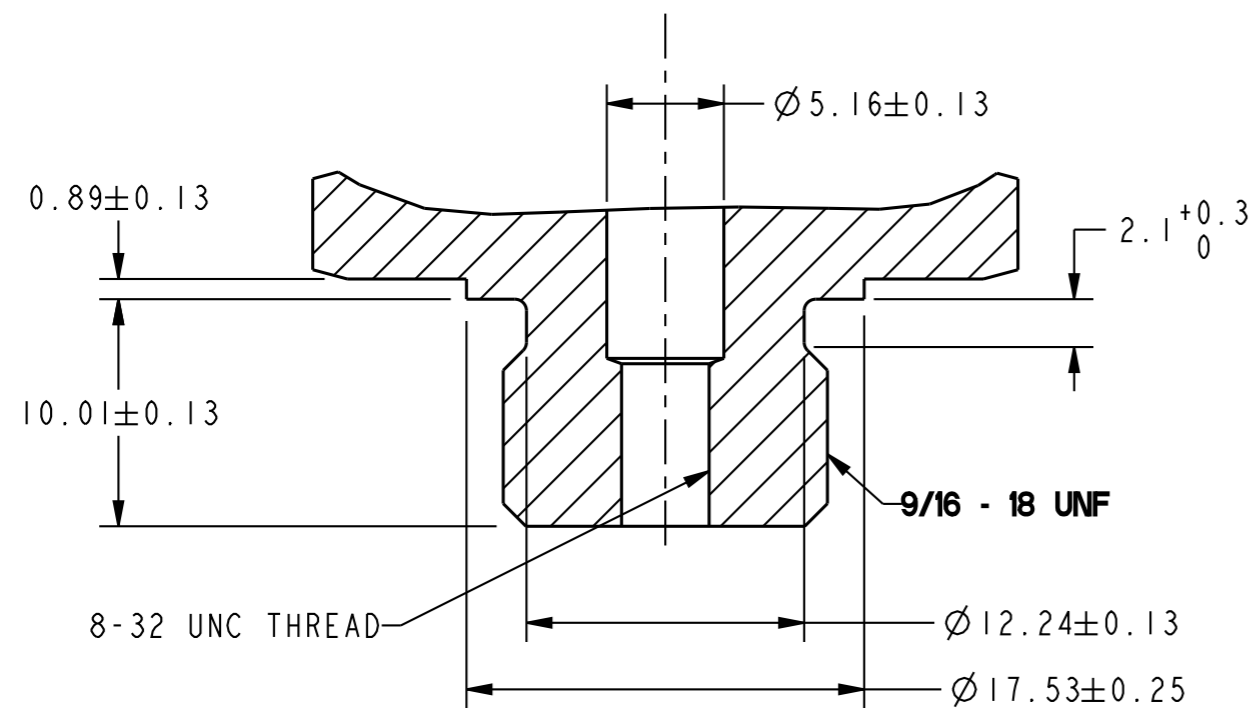


- NOTES:
- 1 - UNITS: MM UNLESS OTHERWISE SPECIFIED
 - 2 - MATERIAL: 304L STAINLESS STEEL
 - 3 - SEAL: AS568A-905 O-RING (INCLUDED)
 - 4 - STUD END PER SAE J1926-2:1/2-20, EXCEPT AS NOTED
 - 5 - DIMENSION DOES NOT CONFORM TO SAE J1926-2 STANDARD

Honeywell

TITLE					
MLH SERIES HEAVY DUTY PRESSURE TRANSDUCER 1/2-20 UNF STRAIGHT THREADS WITH O-RING SEAL					
SIZE	CAGE CODE	DWG NO	TYPE	REV	
A3	-	-	I	-	
SCALE	3:1	REF WT:	-	SHEET	3 OF 4

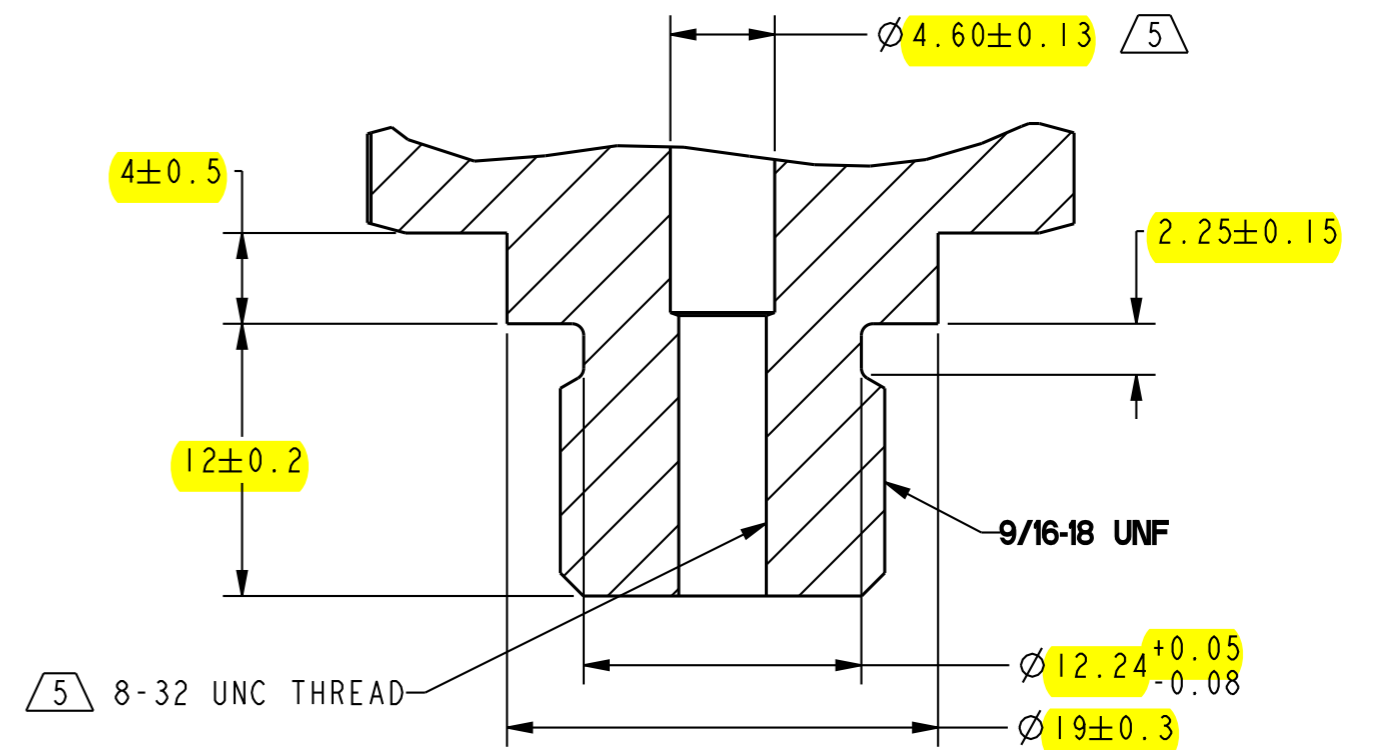
CURRENT DESIGN



NOTES:

- 1 - UNITS: MM UNLESS OTHERWISE SPECIFIED
- 2 - MATERIAL: 304L STAINLESS STEEL
- 3 - SEAL: AS568A-906 O-RING (INCLUDED)

NEW DESIGN



NOTES:

- 1 - UNITS: MM UNLESS OTHERWISE SPECIFIED
- 2 - MATERIAL: 304L STAINLESS STEEL
- 3 - SEAL: AS568A-906 O-RING (INCLUDED)
- 4 - STUD END PER SAE J1926-2: 9/16-18, EXCEPT AS NOTED
- 5 - DIMENSION DOES NOT CONFORM TO SAE J1926-2 STANDARD

Honeywell

TITLE MLH SERIES HEAVY DUTY PRESSURE TRANSDUCER 9/16-18 UNF STRAIGHT THREADS WITH O-RING SEAL				
SIZE A3	CAGE CODE -	DWG NO -	TYPE I	REV -
SCALE 3:1	REF WT: -	SHEET 4 OF 4		