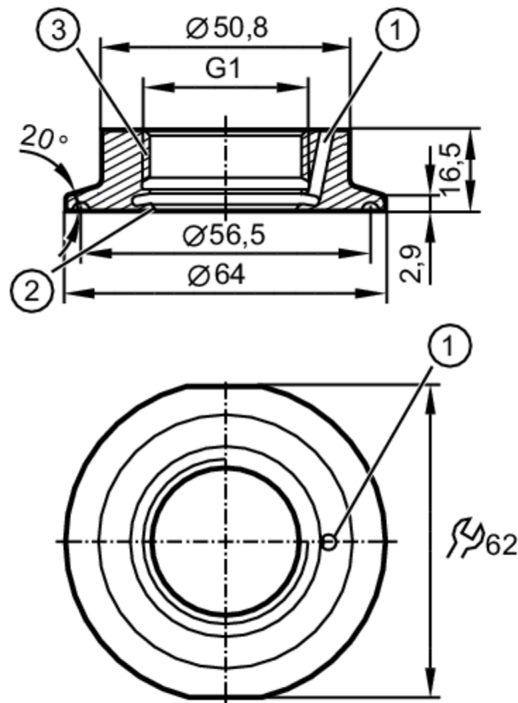


E33209



Process adapter Tri-Clamp

ADAPT IFM-CLAMP ISO2852 2" 3A



- 1 Leakage port
- 2 sealing area
- 3 Aseptoflex Vario



CRN EC 1935/2004 EHEDG Certified FDA

Application	
Design	with leakage port
Pressure rating [bar]	16
Tests / approvals	
Pressure Equipment Directive	A possible classification to PED depends on the application and has to be carried out by the user / operator.
Safety instructions	The compatibility between medium and product material has to be checked in all applications.
Mechanical data	
Weight [g]	226.5
Materials (wetted parts)	stainless steel (1.4435 / 316L) ; surface characteristics : Ra<0,4 / Rz 4
Sensor connection	G 1 Aseptoflex Vario
Process connection	Clamp DN50 (2") DIN 32676 (ISO 2852)
Sealing	Gasket
Hygienic equipment class to DIN 11866	H4
Accessories	
Items supplied	O-ring: 1 x 24 x 2, EPDM, FDA compliant, E30054
Accessories (optional)	O-ring: 1 x 24 x 2, FKM, FDA compliant, E30123 sealing ring: 1, PEEK, FDA compliant, E30124
Remarks	
Pack quantity	1 pcs.