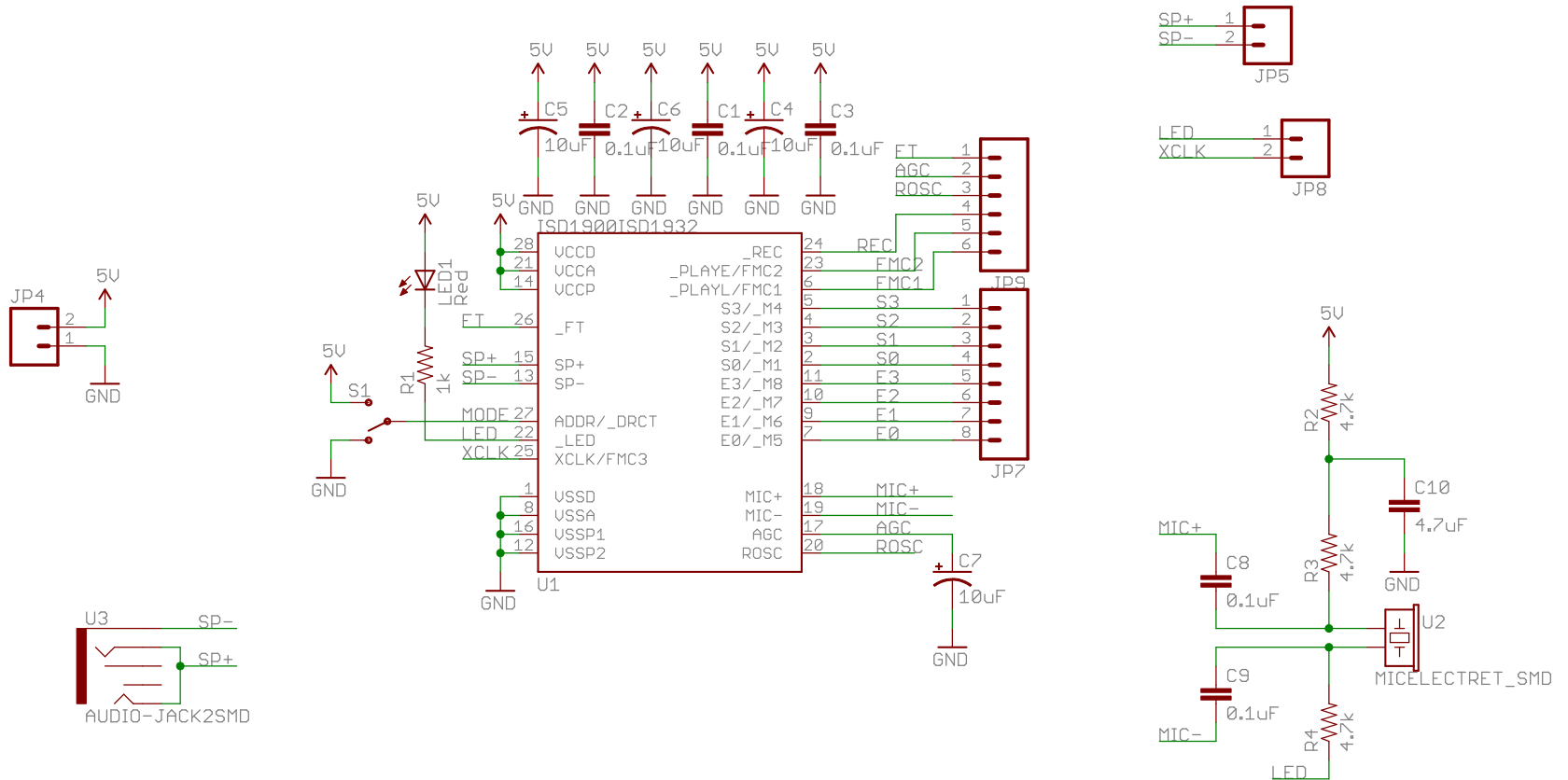




v20 Changes:  
 Added electret mic and associated circuitry  
 Added audio jack option  
 V21 Changes  
 Centered U1 on board  
 Added stand offs



Released under the Creative Commons Attribution Share-Alike 3.0 License  
<http://creativecommons.org/licenses/by-sa/3.0>  
 Design by:

 <b>open hardware</b>	
	
TITLE: ISD1932 Breakout-v21	
SFE	SFE
Document Number:	
REV:	
Date: 5/11/2011 5:06:59 PM	Sheet: 1/1