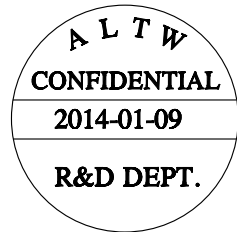
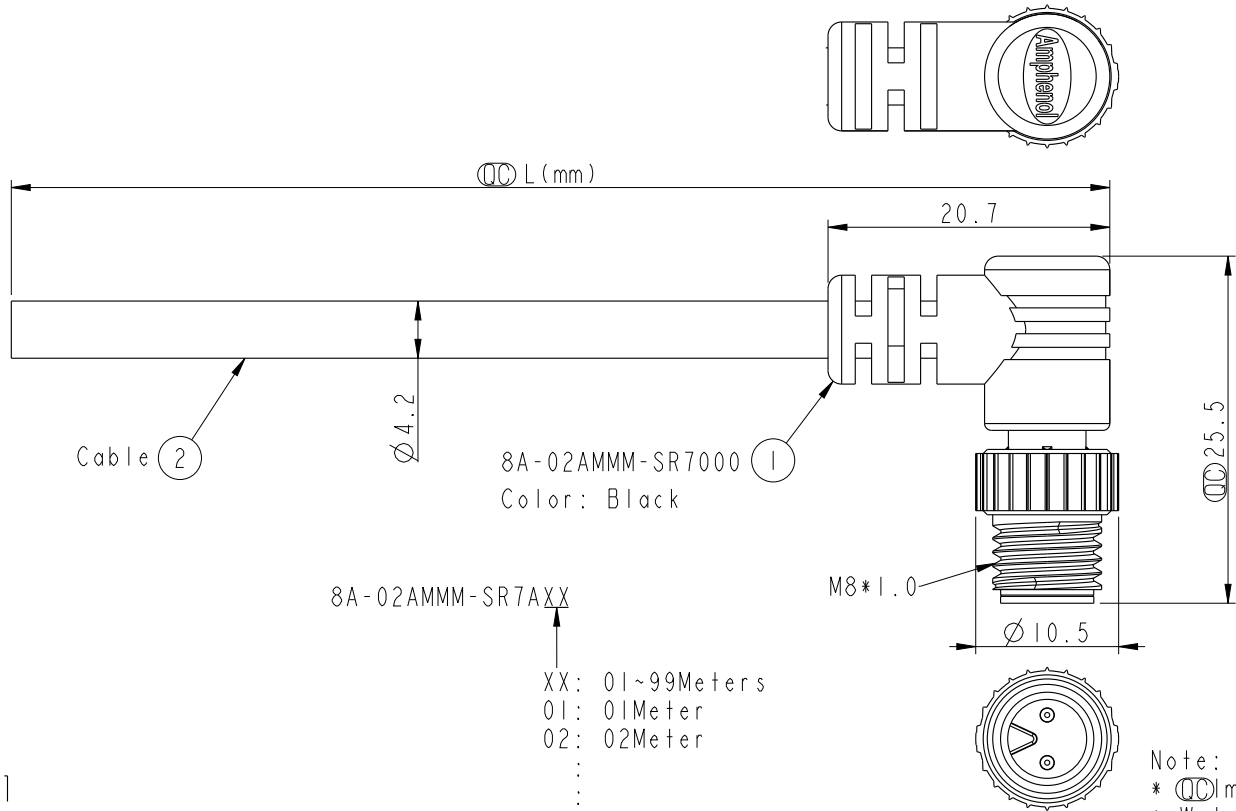


THIS DOCUMENT IS SUBJECT TO CHANGE WITHOUT NOTICE. IT IS CONFIDENTIAL AND A PROPERTY OF Amphenol LTW. DISCLOSURE TO THIRD PARTY HAS TO BE AUTHORIZED BY Amphenol LTW.

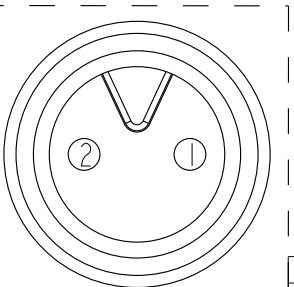
REV.	ECN NO.	DATE	SIGN	DESCRIPTION



8A-02AMMM-SR7000 (1)
Color: Black

8A-02AMMM-SR7AXX
XX: 01~99Meters
01: 01Meter
02: 02Meter
.....
99: 99Meters
Cable Length(L): 01~99Meters

- Note:
- * \varnothing Important Dimension.
 - * Waterproof Rate: IP67.
 - * Connector: PU, Black.
 - * Male Pin: Copper Alloy, Gold Plated.
 - * Screw Nut: Zinc Alloy, Nickel Plated.
 - * Cable: UL2464 22AWG*2C+Talcum, PVC Jacket, UV Resistant, OD=4.2, Black.
 - * Cable Length Tolerance: 01M: ± 40 mm
02~05M: ± 60 mm
06~10M: ± 100 mm
11~30M: ± 200 mm
31~99M: ± 500 mm



Pin Assignments Front View

2	Red 紅
1	Black 黑
Conn.	Wire Color
Pin Out	

UNIT:mm

TOLERANCE ± 0.5 mm

TITLE M8 2Pin Cable M Conn. M Pin			
SCALE 9:5	SIZE A4	SHEET 1 OF 1	
REV. A	WC-REV. A.3	\varnothing : Inspection item	

Amphenol LTW
安費諾亮泰企業股份有限公司

ITEM NO	DRAWN BY Mila	DATE 2014-01-09
DWG NO 8A-02AMMM-SR7AXX	CHECKED BY Jimmy	DATE 2014-01-09
CUSTOMER ALTW	APPROVED BY Jerry	DATE 2014-01-09