

4

3

2

1

THIS DRAWING IS UNPUBLISHED.

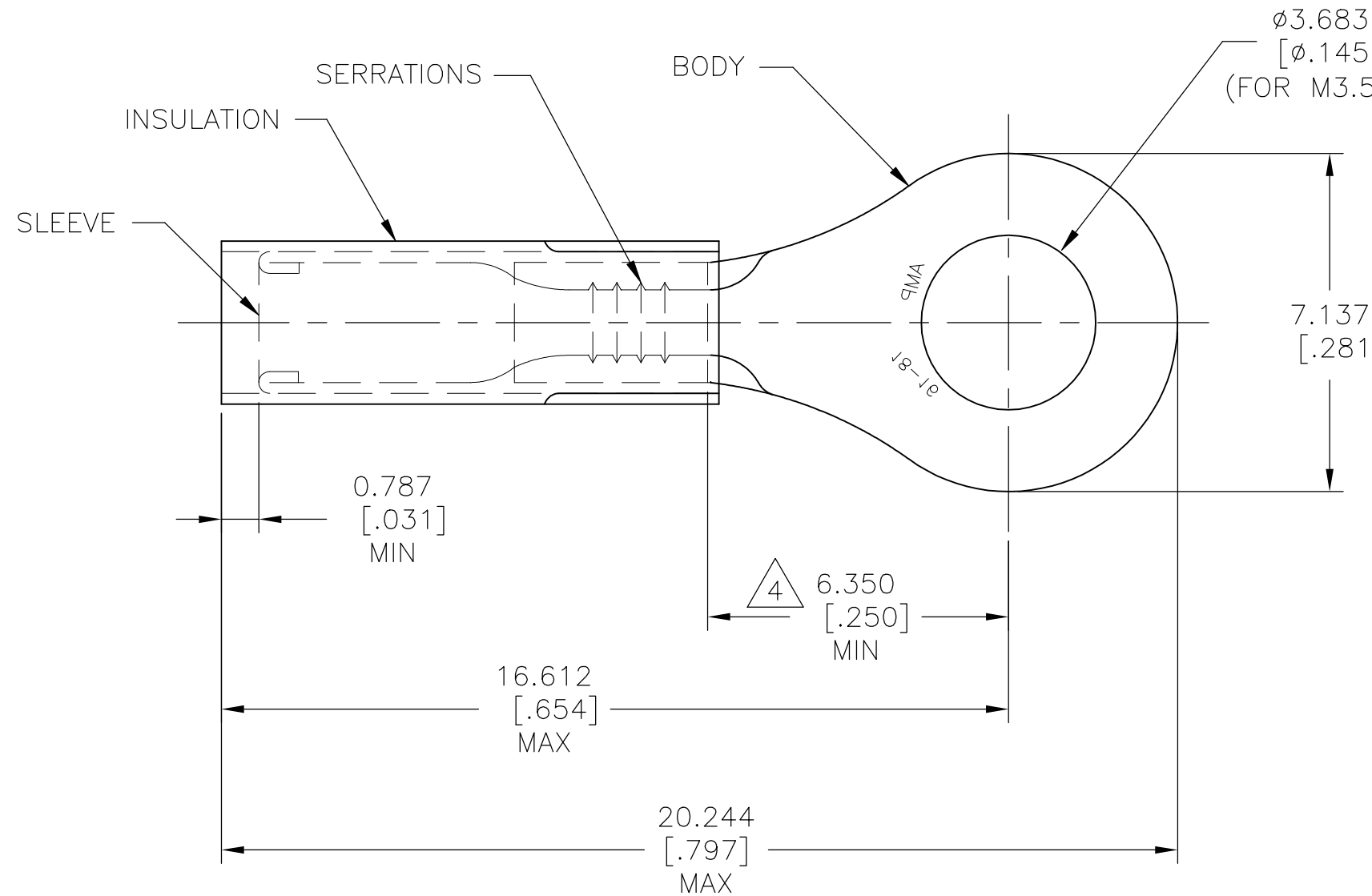
RELEASED FOR PUBLICATION

ALL RIGHTS RESERVED.

© COPYRIGHT - By -

REVISIONS

P	LTR	DESCRIPTION	DATE	DWN	APVD
F3		REVISED PER ECO-15-016493	26NOV2015	NK	DR
F4		REVISED PER ECO-17-016703	30MAR2018	RS	DR



- 1 BODY: COPPER ASTM B152  
NICKEL PL SAE AMS QQ-N-290  
0.0076[.0003] AVG. EXT. THK  
SLEEVE: COPPER ASTM B152  
NICKEL PL SAE AMS QQ-N-290  
0.00076[.00003] AVG EXT. THK
- 2 FOR 1.397[.055] TO 3.429[.135]  
WIRE INSULATION DIA.
- 3 BODY MATERIAL THK:  $0.787 \pm 0.051$  [.031 ± .002]
- 4 DIMENSION APPLIES FROM EDGE OF METAL  
WIRE BARREL TO CENTER OF STUD HOLE

1000	LOOSE PIECE	50835	PTFE (ASTM D3295) COLOR: ORANGE
QTY	PACKAGE TYPE	PART NO.	INSULATION MATERIAL

AMP INCORPORATED  
CUSTOMER SERVICE SYSTEMS

MAX RECOMMENDED OPERATING  
TEMPERATURE:  
288°C [550°F]

THIS DRAWING IS A CONTROLLED DOCUMENT.

DWN 13OCT2015  
NAGALAKSHMI K  
CHK 13OCT2015  
MERCURIO MAURIZIO  
APVD 13OCT2015  
MERCURIO MAURIZIO



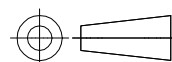
FOR ADDITIONAL  
PRODUCT INFORMATION OR  
COPIES OF DRAWINGS  
AND TECHNICAL DOCUMENTS

PRODUCT INFORMATION CENTER  
1-800-522-6752

VOLTAGE RATING:  
300V MAX

DIMENSIONS:  
mm [INCHES]

TOLERANCES UNLESS  
OTHERWISE SPECIFIED:



0 PLC ± -  
1 PLC ± -  
2 PLC ± -  
3 PLC ± 0.127[.005]  
4 PLC ± -  
ANGLES ± 5°

NAME  
WIRE TERMINAL  
PIDG™, STRATO-THERM, RING TONGUE  
WIRE SIZE: 18-16 AWG

FOR APPLICATION  
TOOLING INFORMATION

TOOLING ASSISTANCE CENTER  
1-800-722-1111

CIRCULAR MIL AREA:  
0.81-1.42mm² [1,600-2,800]  
STRANDED WIRE ONLY

MATERIAL  
1  
SEE TABLE

FINISH  
1  
SEE TABLE

PRODUCT SPEC

APPLICATION SPEC

WEIGHT

SIZE A3 CAGE CODE 00779 DRAWING NO C-50835 RESTRICTED TO -

FOR ORDER ENTRY  
1-800-526-5142

CUSTOMER DRAWING SCALE NTS SHEET 1 OF 1 REV F4