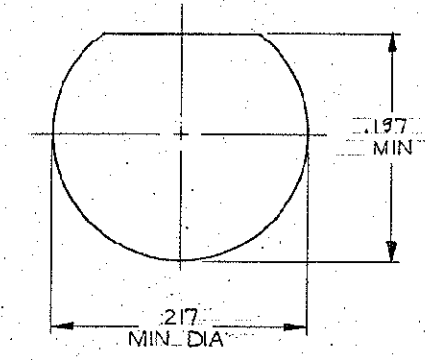
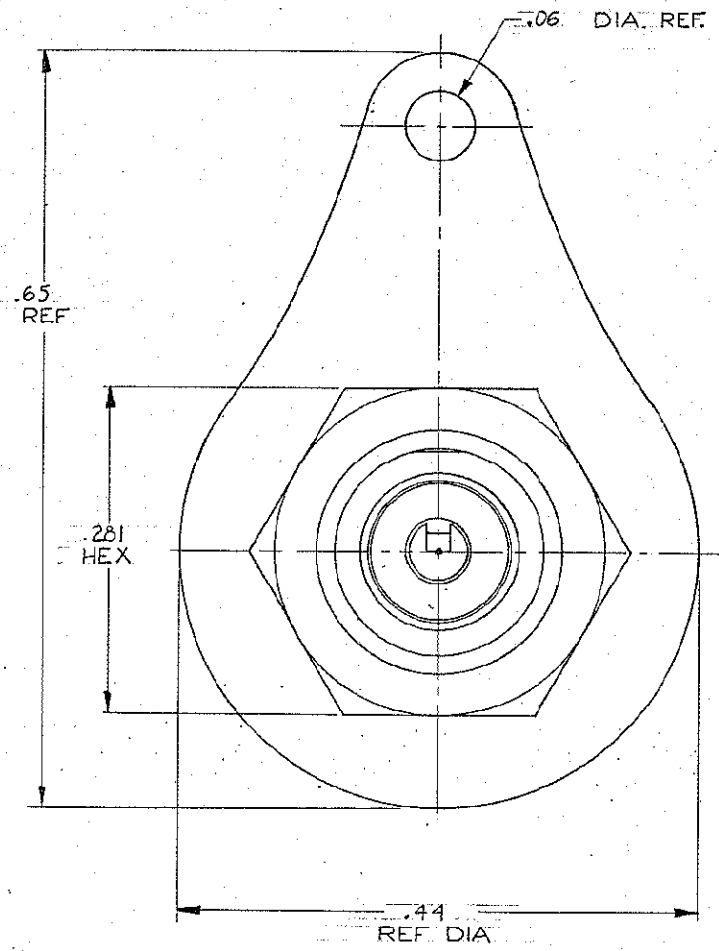
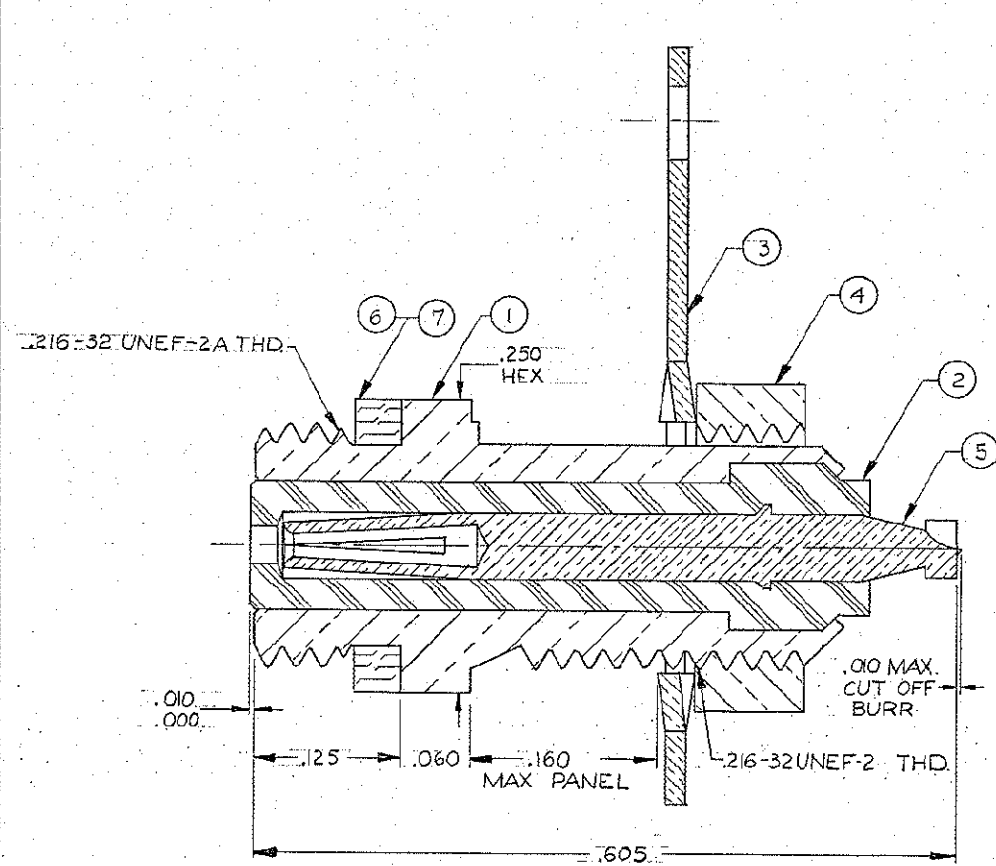


REVISIONS					
ZONE	LTR	ECN	DESCRIPTION	DATE	APPROVED
B		25090	REV. & REDRAWN ORIGINAL 9-4-64 BY GM. & J.L.	7/24/80	<i>Pr 8</i>



MOUNTING HOLE DIMENSIONS

- NOTES: UNLESS OTHERWISE SPECIFIED
- THIS CONNECTOR MATES WITH ALL PLUGS IN SERIES 5-70 AS LISTED IN MALCO CATALOG.
  - ALL METAL PARTS ARE GOLD PLATED PER MIL-G-45204, TYPE II GRADE C, CLASS I.
  - THIS CONNECTOR IS IDENTICAL TO 031-0051-0001 EXCEPT FOR PLATING.

FINISH	DASH NO.	PART OR IDENTIFYING NO.	DESCRIPTION	MATERIAL	ITEM
		003-0267-0001	GASKET	SILICONE RUBBER PER ZZ-R-765	7
		003-0073-0001	GASKET	NEOPRENE PER MIL-R-3065	6
		003-1315-0002	SOCKET CONTACT	BERYLLIUM COPPER PER QQ-C-530	5
		003-0061-0002	HEX NUT	BRASS PER QQ-B-626	4
		003-0304-0002	SHAKE PROOF LUG	PHOSPHOR BRONZE PER QQ-B-750	3
		000-0301-0048	INSULATOR	TEFLON PER L-P-403	2
		000-1601-0109	HOUSING	BRASS PER QQ-B-626	1

UNLESS OTHERWISE SPECIFIED DIMENSIONS ARE IN INCHES TOLERANCES ARE:		CONTRACT NO.		MALCO A MICRODOT COMPANY, INC. 306 PASADENA AVE., SO. PASADENA, CALIF. 91030	
FRACTIONS	DECIMALS	ANGLES	APPROVALS	DATE	PROD. CODE
±	.XX ±	±	<i>Ortel Ponce</i>	5-9-80	941
	.XXX ± .010		CHECKED <i>24H</i>	7-22-80	CODE
			PR. ENG. <i>Mytunney</i>	7-23-80	CDM
			APPD.		
MATERIAL NOTED		RECEPTACLE, BULKHEAD, GOLDEN CRIMP, 70 OHM			
FINISH NOTED		SIZE C		CODE IDENT NO. 98278	DRAWING NO. 131-0202-000*
NEXT ASSY		SCALE 10x1		SHEET 1 OF 1	
USED ON					
APPLICATION		DO NOT SCALE DRAWING			

BISHOP GRAPHICS/ACUPRESS RECORDER NO. 2197