

THIS DRAWING IS UNPUBLISHED.

RELEASED FOR PUBLICATION

---

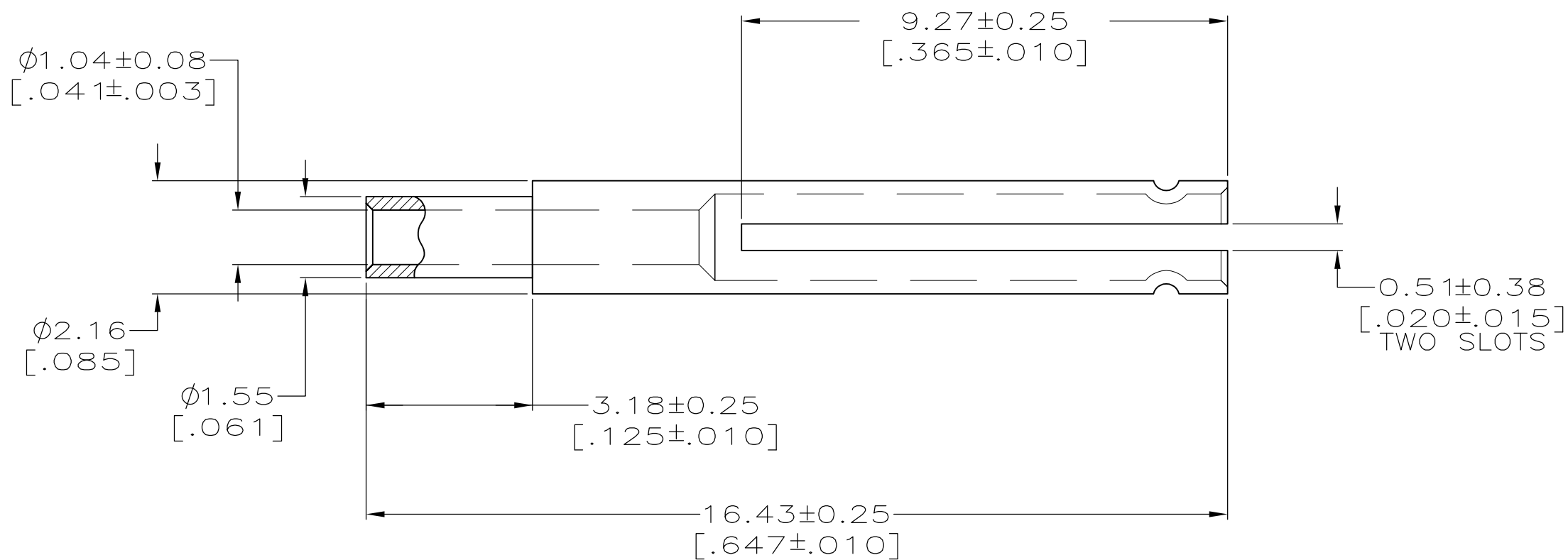
REVISIONS

© COPYRIGHT - TE Connectivity

ALL RIGHTS RESERVED.

P	LTR	DESCRIPTION	DATE	DWN	APVD
	D1	REVISED PER ECR-17-009545	18JUL2017	AS	RS

- 1 BRASS PER QQ-B-626.
- 2 TIN PER ASTM-B-545, 2.54  $\mu\text{m}$  [.000100] MIN THICK.



OBSOLETE 226610-2

THIS DRAWING IS A CONTROLLED DOCUMENT.		DWN B. MOYER 02/20/92	TE Connectivity				
DIMENSIONS: INCHES		CHK M. SNEED 2-25-92					
TOLERANCES UNLESS OTHERWISE SPECIFIED:		APVD R. HENRY 2-25-92	NAME CONTACT, FEMALE, MINIATURE UHF				
0 PLC ± - 1 PLC ± - 2 PLC ± 0.13 [.005] 3 PLC ± - 4 PLC ± - ANGLES ± -		PRODUCT SPEC M. SNEED 2-25-92					
MATERIAL 1		FINISH 2	APPLICATION SPEC -	SIZE A3	CAGE CODE 00779	DRAWING NO C-226610	RESTRICTED TO -
CUSTOMER DRAWING			WEIGHT 0.000000	SCALE 10:1	SHEET 1 OF 1	REV D1	