

Notes

1. MATERIAL: REFER TO TABLES.
2. PACKAGE SPEC. REFER TO PK OF 2128600001
3. PRODUCT SPEC. REFER TO PS OF 2128600001
4. APPLICATION SPEC. REFER TO AS OF 2128600001

PN:2128600001--MOLEX WIFI DUAL-BAND ANTENNA HINGED (BLACK, SMA-M)

NO.	DESCRIPTION	MATERIAL	Q'TY
1	ANTENNA CAP	TPEE, COLOR: BLACK	1
2	UPPER BASE	PBT+PC,COLOR:BLACK	1
3	BOTTOM BASE	PBT+PC, COLOR: BLACK	1
4	RIVET	POM ,COLOR :BLACK	2
5	CONNECTOR	SMA-MALE STRAIGHT PLUG FOR RG-178	1
6	CABLE	RG-178 CABLE TRANSPARENCY BROWN,50Ω	1

PN:2128600011--MOLEX WIFI DUAL-BAND ANTENNA HINGED (BLACK, RP-SMA-M)

NO.	DESCRIPTION	MATERIAL	Q'TY
1	ANTENNA CAP	TPEE, COLOR: BLACK	1
2	UPPER BASE	PBT+PC,COLOR:BLACK	1
3	BOTTOM BASE	PBT+PC, COLOR: BLACK	1
4	RIVET	POM ,COLOR :BLACK	2
5	CONNECTOR	RP-SMA-MALE STRAIGHT PLUG	1
6	CABLE	RG-178 CABLE TRANSPARENCY BROWN,50Ω	1

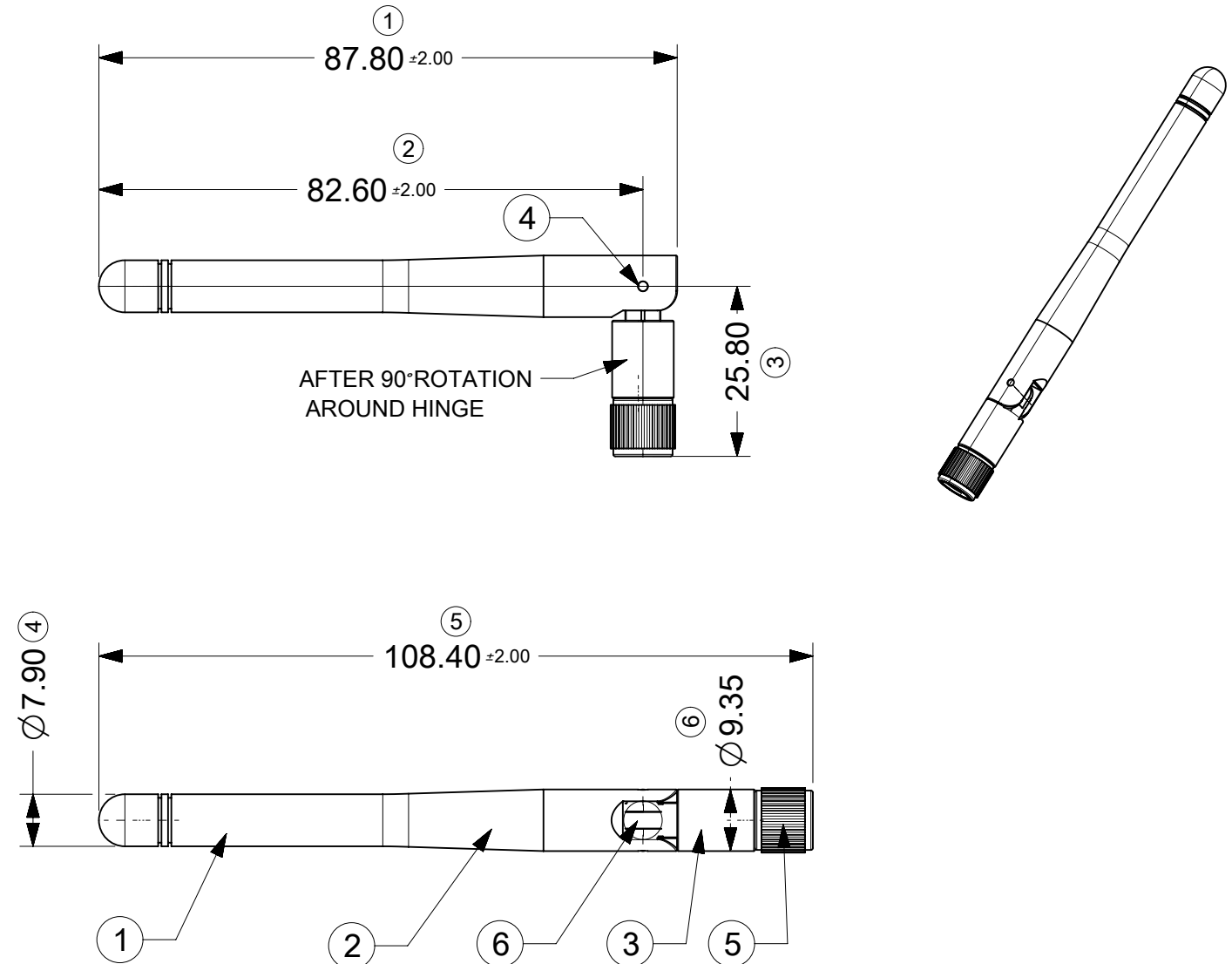
PN:2128601001--MOLEX WIFI DUAL-BAND ANTENNA HINGED (WHITE, SMA-M)

NO.	DESCRIPTION	MATERIAL	Q'TY
1	ANTENNA CAP	TPEE, COLOR: WHITE	1
2	UPPER BASE	PBT+PC,COLOR:WHITE	1
3	BOTTOM BASE	PBT+PC, COLOR: WHITE	1
4	RIVET	POM ,COLOR :WHITE	2
5	CONNECTOR	SMA-MALE STRAIGHT PLUG FOR RG-178	1
6	CABLE	RG-178 CABLE TRANSPARENCY BROWN,50Ω	1

PN:2128601011--MOLEX WIFI DUAL-BAND ANTENNA HINGED (WHITE,RP- SMA-M)

NO.	DESCRIPTION	MATERIAL	Q'TY
1	ANTENNA CAP	TPEE, COLOR: WHITE	1
2	UPPER BASE	PBT+PC,COLOR:WHITE	1
3	BOTTOM BASE	PBT+PC, COLOR: WHITE	1
4	RIVET	POM ,COLOR :WHITE	2
5	CONNECTOR	RP-SMA-MALE STRAIGHT PLUG FOR RG-178	1
6	CABLE	RG-178 CABLE TRANSPARENCY BROWN,50Ω	1

REV	CHANGE HISTORY	DATE
A	FIRST RELEASE	20191009
B	NO DRAWING CONTENT CHANGE,JUST CHANGE DRAWING TYPE	20191122



CONFIGS	PN	DESCRIPTION
1	2128600001	MOLEX WIFI DUAL-BAND ANTENNA HINGED (BLACK, SMA)
2	2128600011	MOLEX WIFI DUAL-BAND ANTENNA HINGED (BLACK, RP-SMA)
3	2128601001	MOLEX WIFI DUAL-BAND ANTENNA HINGED (WHITE, SMA)
4	2128601011	MOLEX WIFI DUAL-BAND ANTENNA HINGED (WHITE, RP-SMA)

THIS DRAWING CONTAINS INFORMATION THAT IS PROPRIETARY TO MOLEX ELECTRONIC TECHNOLOGIES, LLC AND SHOULD NOT BE USED WITHOUT WRITTEN PERMISSION

SYMBOLS	DIMENSION UNITS	SCALE	CURRENT REV DESC:
▽ = 0	mm		EC NO: 627922
▽ = 0	GENERAL TOLERANCES (UNLESS SPECIFIED)		DRWN: CZHOU05 2019/11/22
▽ = 0	ANGULAR TOL ± °		CHK'D: KCHENG06 2019/11/28
▽ = 0	4 PLACES ±		APPR: KCHENG06 2019/11/28
▽ = 0	3 PLACES ± 0.2		INITIAL REVISION:
▽ = 0	2 PLACES ± 0.3		DRWN: CZHOU05 2019/10/17
▽ = 0	1 PLACE ± 0.4		APPR: WORKFLOWGUY 2019/10/28
▽ = 0	0 PLACES ±		
■ = 0	DRAFT WHERE APPLICABLE MUST REMAIN WITHIN DIMENSIONS	THIRD ANGLE PROJECTION	DRAWING
▽ = 0			SERIES

<b>molex</b>		
MOLEX WIFI DUAL-BAND ANTENNA_HINGED		
PRODUCT CUSTOMER DRAWING		
DOCUMENT NUMBER	DOC TYPE	DOC PART
2128600001	PSD	SD1
REVISION		
B		
MATERIAL NUMBER	CUSTOMER	SHEET NUMBER
SEE TABLE		1 OF 1