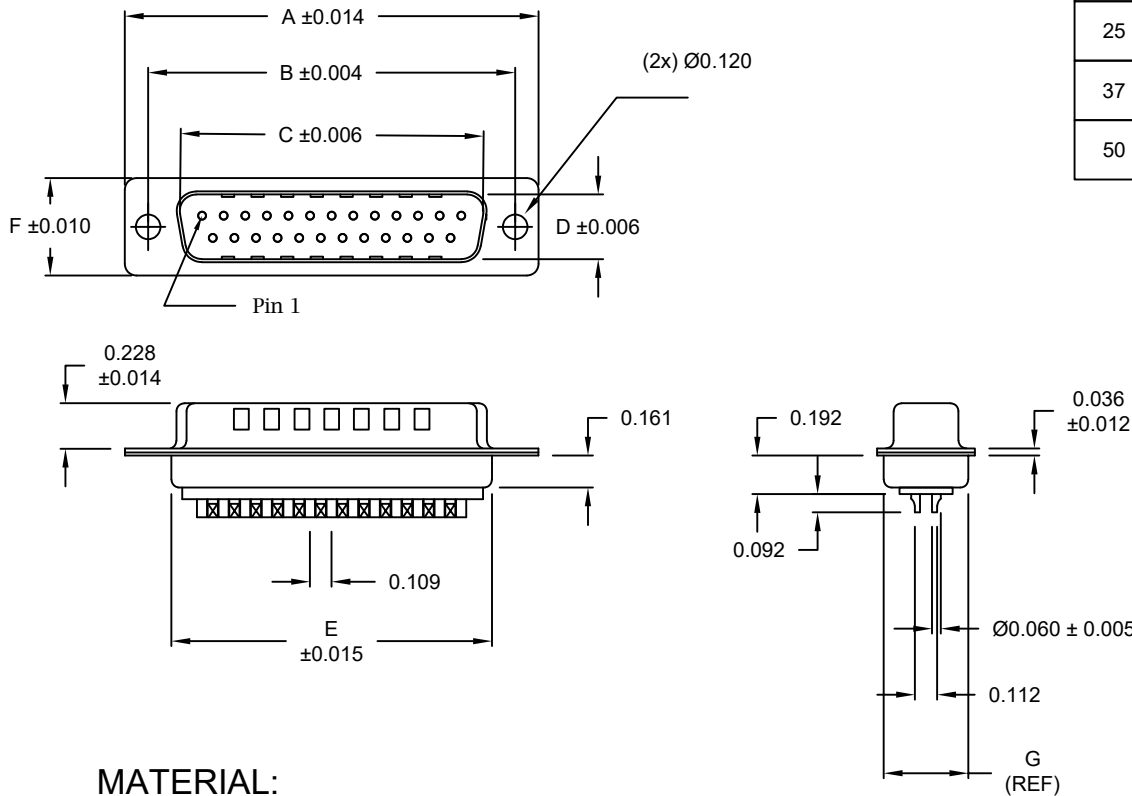


WILL ACCEPT 26-20 AWG WIRE



No. OF PINS	UNITS	DIMENSIONS						
		A	B	C	D	E	F	G
9	inch	1.213	0.984	0.669	0.331	0.760	0.496	0.423
	mm	30.80	24.99	17.00	8.40	19.30	12.60	10.75
15	inch	1.541	1.312	0.996	0.331	1.083	0.496	0.423
	mm	39.15	33.32	25.30	8.40	27.51	12.60	10.75
25	inch	2.088	1.852	1.535	0.331	1.630	0.496	0.423
	mm	53.04	47.04	39.00	8.40	41.40	12.60	10.75
37	inch	2.729	2.500	2.181	0.331	2.276	0.496	0.423
	mm	69.32	63.50	55.40	8.40	57.81	12.60	10.75
50	inch	2.635	2.406	2.079	0.437	2.182	0.598	0.524
	mm	66.93	61.11	52.80	11.10	55.42	15.20	13.30

172-YYY-103RYY1

SERIES _____
 POSITIONS _____
 009
 015
 025
 037
 050
 GENDER _____
 1 = MALE
 TERMINATION _____
 0 = SOLDER CUP
 SHELL PLATING _____
 3 = NICKEL (GROUND INDENTS)
 HARDWARE OPTIONS _____
 00 = NO HARDWARE
 01 = .098" CLINCH NUT (SOLDER SIDE)
 02 = .236" CLINCH NUT (SOLDER SIDE)
 03 = .236" CLINCH NUT (MATING SIDE)
 05 = .237" 4-40 BOARD LOCK
 91 = .237" 4-40 SPACER/ BOARD LOCK
 PLATING OPTIONS _____
 1 = GOLD FLASH
 2 = 30MICRO-INCH GOLD

MATERIAL:

SHELL: STEEL, NICKEL PLATED
 INSULATOR: PA6T, UL94 V-0
 PROCESS TEMP.: 260°C
 CONTACT: BRASS

ELECTRICAL:

CURRENT RATING: 5 AMPS
 CONTACT RESISTANCE: 15 mOhms Max.
 INSULATION RESISTANCE: 1,000 MOhms Min.
 VOLTAGE: 500VAC FOR 1 MINUTE
 TEMPERATURE: -50° C TO 100° C

RoHS COMPLIANT

UNITS = inch

DO NOT SCALE FROM DRAWING



THESE DRAWINGS AND SPECIFICATIONS ARE THE PROPERTY OF NorComp AND SHALL NOT BE REPRODUCED, COPIED OR USED AS THE BASIS FOR THE MANUFACTURE OR SALE OF APPARATUS WITHOUT WRITTEN PERMISSION.

DRAWN:
P. JENKINS

DATE:
08/24/1998

NorComp

SCALE:
NTS

SHEET OF
1 2

REV
15

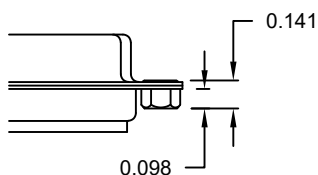
DWG NO.

172-YYY-103RYY1

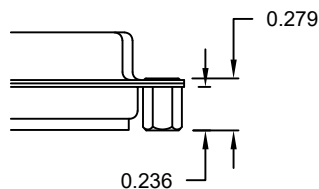
TOLERANCE:
 ALL DIMENSIONS ARE ± 0.010
 UNLESS OTHERWISE
 SPECIFIED

ALL CLINCH-NUTS ARE 4-40 INTERNAL THREADS

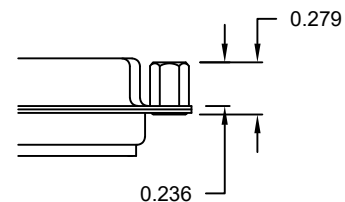
"01" // SOLDER SIDE



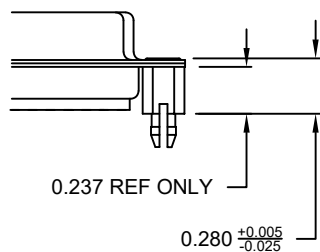
"02" // SOLDER SIDE



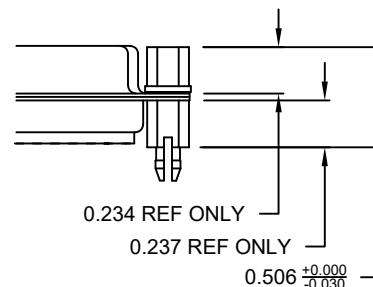
"03" // MATING SIDE



"05" // PCB SIDE



"91" // PCB SIDE



NOTE: 4-40 FEMALE SCREW LOCK IS REMOVABLE

RoHS COMPLIANT

UNITS = inch

DO NOT SCALE FROM DRAWING



THESE DRAWINGS AND SPECIFICATIONS ARE THE PROPERTY OF NorComp AND SHALL NOT BE REPRODUCED, COPIED OR USED AS THE BASIS FOR THE MANUFACTURE OR SALE OF APPARATUS WITHOUT WRITTEN PERMISSION.

DRAWN:
 P. JENKINS

DATE:
 08/24/1998

NorComp

SCALE:
 NTS

SHEET OF
 2 2

REV
 15

DWG NO.

172-YYY-103RYY1