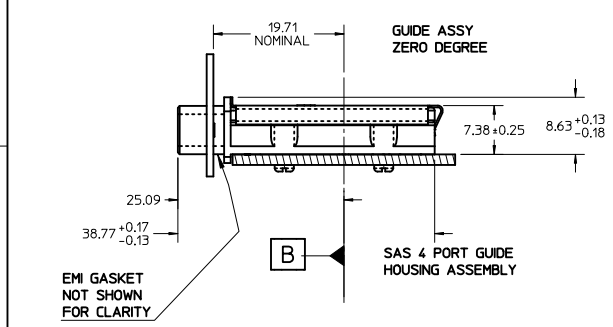


- NOTES:
1. PCB AND BRACKET SHOWN FOR REFERENCE ONLY.
 2. REF. SD-74547-100 FOR KEY POSITIONS
 3. GUIDE HOUSING MOUNTING THREAD= M2 X 0.40, SEE SHEET 3 FOR SCREW LENGTH + TORQUE SPEC.
 4. PLATE GROUND PAD WITH EMERSION SILVER OR GOLD.
 5. MATERIAL:
GUIDE HOUSING - ZINC DIECAST, NICKEL PLATED
COVER - STAINLESS STEEL
 6. THIS PRODUCT MEETS THE RESTRICTION OF HAZARDOUS SUBSTANCES IN ELECTRICAL AND ELECTRONIC EQUIPMENT (RoHS) DIRECTIVE (2002/95/EC)
 7. GUIDE HOUSING PEGS FOR ALIGNMENT ONLY, DO NOT SOLDER.
 8. THIS GUIDE HOUSING ASSEMBLY IS UNIVERSAL FOR SAS 2.1 AND SAS 2.0 CABLE ASSEMBLIES.

PART NUMBER	PORT SIZE	SW	OAW	KEY(S) PORT1	KEY(S) PORT2	KEY(S) PORT3	KEY(S) PORT4	IDENTIFIERS	SCREWS INCLUDED	SCREW LENGTH
1110490307	4	76.30	80.00	2.4	2.4	2.4	2.4	SAS OUT PORT/END DEVICE	NONE	N/A
1110490308	4	76.30	80.00	4.6	4.6	4.6	4.6	SAS IN PORT/END DEVICE	NONE	N/A
1110490309	4	76.30	80.00	4	4	4	4	SAS UNIVERSAL PORT	NONE	N/A



UPDATE P/N CHART

EC NO: USY2012-0469

DRWN:TPRATT 2011/11/03

CHKD:AJOHNSTON 2011/11/03

APPR:RMKHAN 2011/11/15

DESCRIPTION

QUALITY SYMBOLS

▽=0

▽=0

GENERAL TOLERANCES (UNLESS SPECIFIED)

	mm	INCH
4 PLACES	± ---	± ---
3 PLACES	± ---	± ---
2 PLACES	± 0.13	± ---
1 PLACE	± 0.25	± ---

ANGULAR ± 1 °

DRAFT WHERE APPLICABLE MUST REMAIN WITHIN DIMENSIONS

DIMENSION STYLE

MM ONLY

SCALE 1:1

DESIGN UNITS METRIC

THIRD ANGLE PROJECTION

DRAWN BY BREED DATE 2009/12/02

CHECKED BY DDOYE DATE 2009/12/02

APPROVED BY DDOYE DATE 2010/04/21

MATERIAL NO. SEE TABLE

TITLE

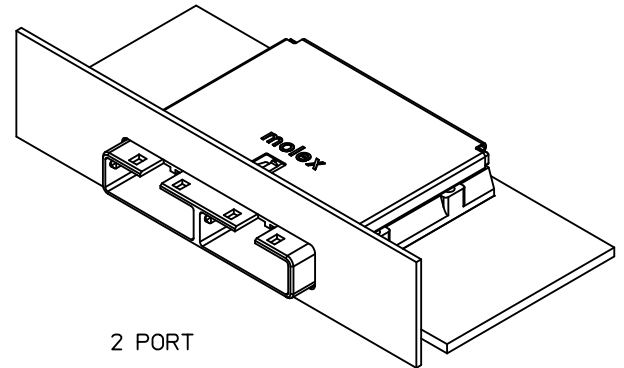
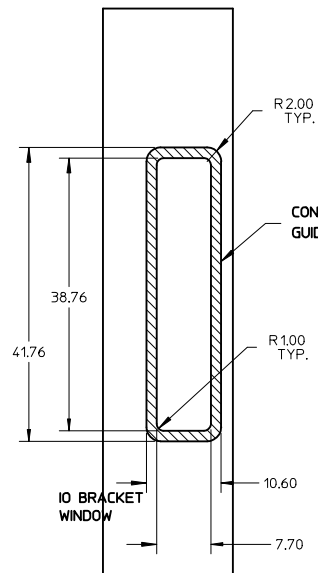
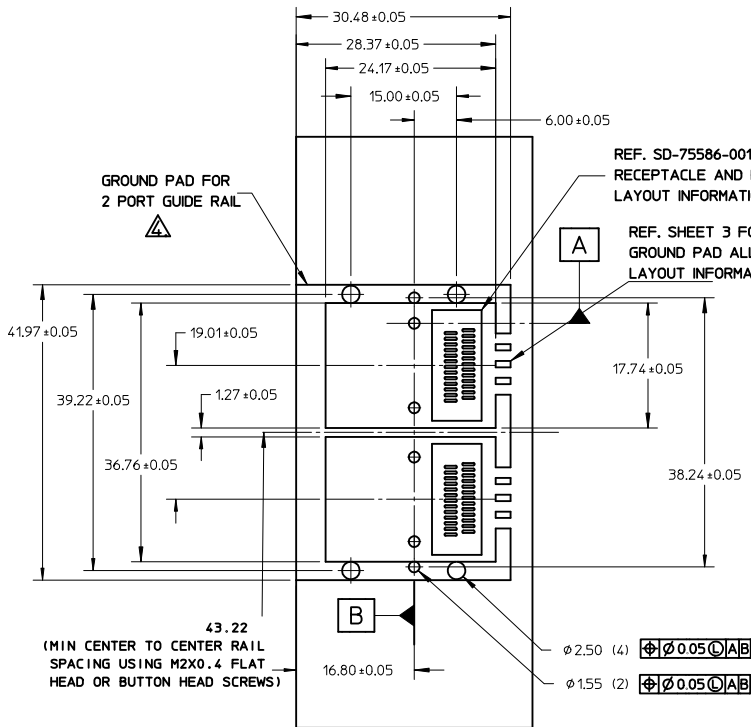
IPASS MINISAS 2.1 26CKT GUIDE HOUSING ASSEMBLY 0 DEGREE, MULTI PORT

MOLEX INCORPORATED

DOCUMENT NO. SD-111049-030

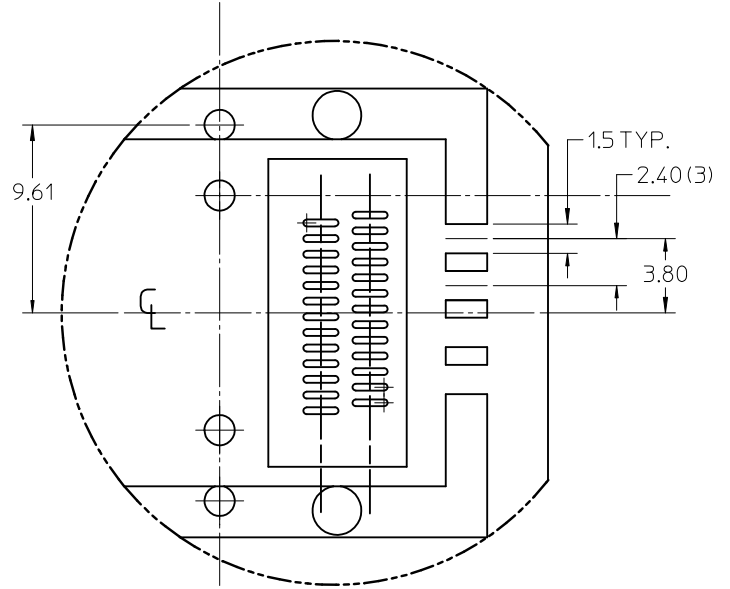
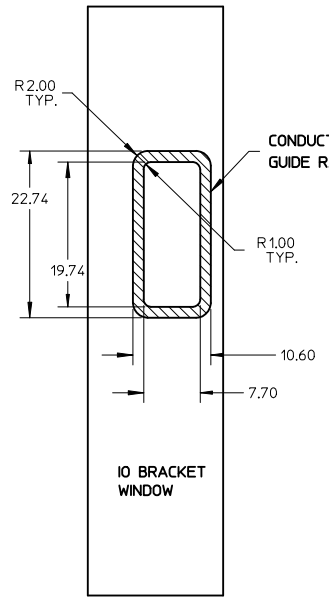
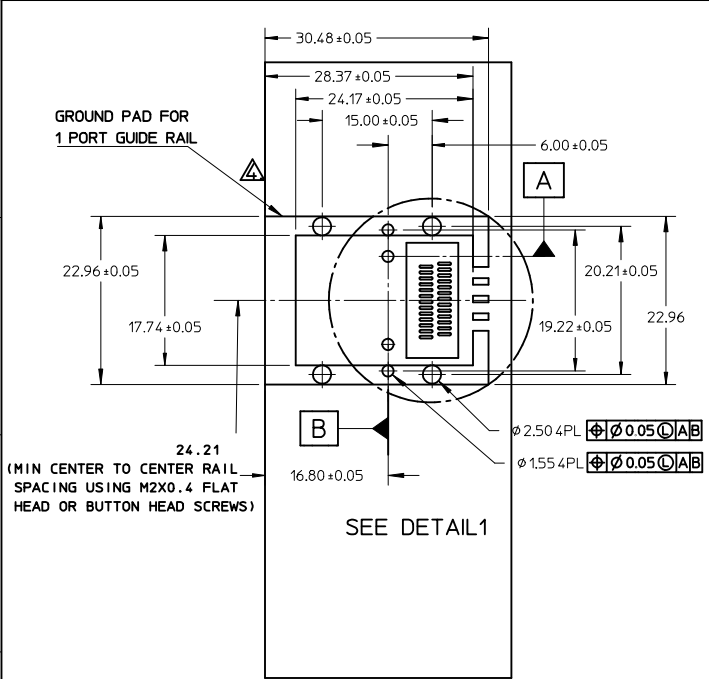
SHEET NO. 1 OF 3

THIS DRAWING CONTAINS INFORMATION THAT IS PROPRIETARY TO MOLEX INCORPORATED AND SHOULD NOT BE USED WITHOUT WRITTEN PERMISSION

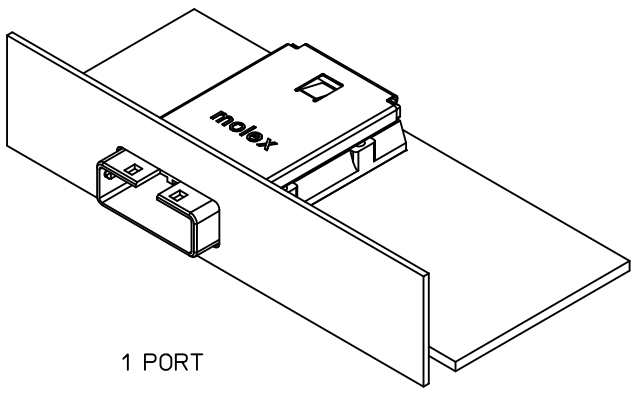


PART NUMBER	PORT SIZE	SW	OAW	KEY(S) PORT1	KEY(S) PORT2	IDENTIFIERS	SCREWS INCLUDED	SCREW LENGTH
1110490304	2	38.26	41.96	2,4	2,4	SAS OUT PORT/END DEVICE	NONE	N/A
1110490305	2	38.26	41.96	4,6	4,6	SAS IN PORT/END DEVICE	NONE	N/A
1110490306	2	38.26	41.96	4	4	SAS UNIVERSAL PORT	NONE	N/A
1110490310	2	38.26	41.96	2,4	4,6	SAS OUT PORT/SAS IN PORT	NONE	N/A
1110490321	2	38.26	41.96	6	6	SAS IN PORT	NONE	N/A

UPDATE P/N CHART EC NO: USY2012-0469 DRWN: PRATT CHKD: A JOHNSTON APPR: RINKHAN	2011/11/03 2011/11/03 2011/11/15	DESCRIPTION QUALITY SYMBOLS ▽=0 ▽=0	GENERAL TOLERANCES (UNLESS SPECIFIED)		DIMENSION STYLE MM ONLY		SCALE 1:1	DESIGN UNITS METRIC	THIRD ANGLE PROJECTION	
			4 PLACES ± --- ± --- 3 PLACES ± --- ± --- 2 PLACES ± 0.13 ± --- 1 PLACE ± 0.25 ± ---	mm INCH	DRAWN BY BREED	DATE 2009/12/02	TITLE IPASS MINISAS 2.1 26CKT GUIDE HOUSING ASSEMBLY 0 DEGREE, MULTI-PORT			
			ANGULAR ± 1 °		CHECKED BY DDOYE	DATE 2009/12/02				
			DRAFT WHERE APPLICABLE MUST REMAIN WITHIN DIMENSIONS		APPROVED BY DDOYE	DATE 2010/04/21	MATERIAL NO. SEE TABLE		DOCUMENT NO. SD-111049-030	SHEET NO. 2 OF 3



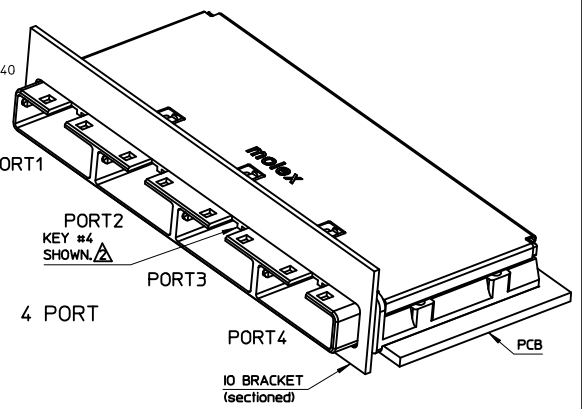
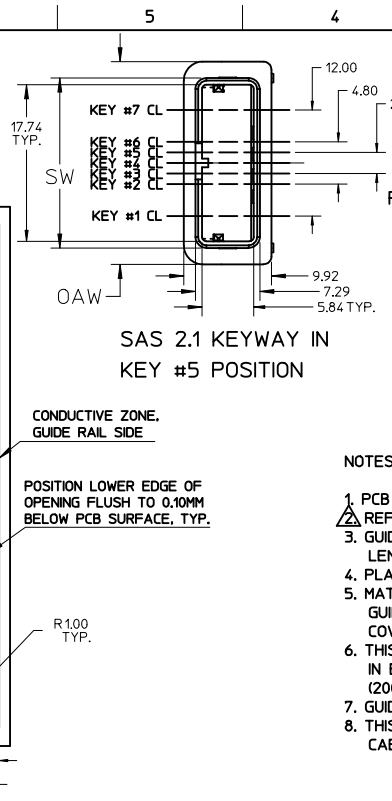
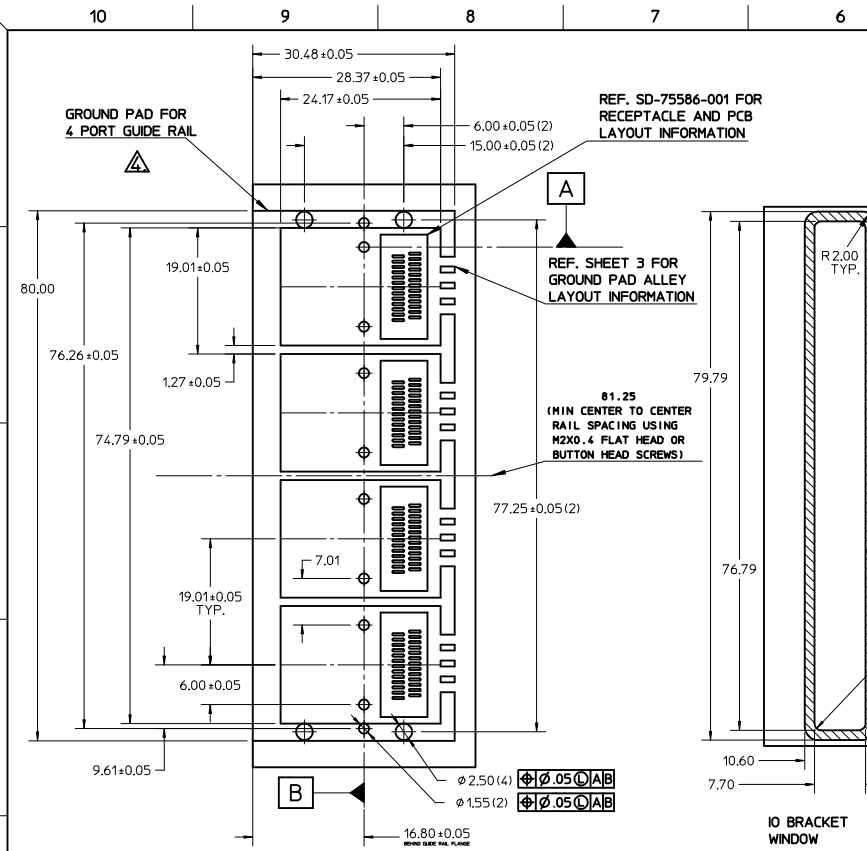
DETAIL 1
SCALE 4:1



PCB THICKNESS	SCREW LENGTH	TORQUE (IN LBS)
1.6 (.063')	5MM	2.3
2.38 (.093')	6MM	2.3
3.2 (.125')	6MM	2.3
X	+4MM MAX	2.3

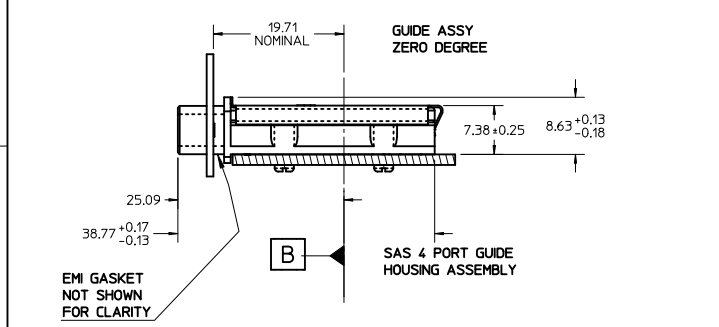
PART NUMBER	PORT SIZE	SW	OAW	KEY(S)	IDENTIFIERS	SCREWS INCLUDED	SCREW LENGTH
1110490301	1	19.24	22.95	2,4	SAS OUT PORT/END DEVICE	NONE	N/A
1110490302	1	19.24	22.95	4,6	SAS IN PORT/END DEVICE	NONE	N/A
1110490303	1	19.24	22.95	4	SAS UNIVERSAL PORT	NONE	N/A
1110490320	1	19.24	22.95	2	SAS OUT PORT	NONE	N/A
1110490303	1	19.24	22.95	4	SAS UNIVERSAL PORT	NONE	N/A
1110490323	1	19.24	22.95	4	SAS UNIVERSAL PORT	74540-0042	6MM

UPDATE P/N CHART EC NO: USY2012-0469 DRWN: TPRAIT 2011/11/03 CHKD: AJOHNSTON 2011/11/03 APPR: RPKHAN 2011/11/15	QUALITY SYMBOLS ▽=0 ▽=0	GENERAL TOLERANCES (UNLESS SPECIFIED)		DIMENSION STYLE MM ONLY		SCALE 1:1	DESIGN UNITS METRIC	THIRD ANGLE PROJECTION		
		mm		INCH		DRAWN BY BREED	DATE 2009/12/02	TITLE IPASS MINISAS 2.1 26CKT GUIDE HOUSING ASSEMBLY 0 DEGREE, MULTIPORT MOLEX MOLEX INCORPORATED		
		4 PLACES ± --- ± ---		3 PLACES ± --- ± ---		CHECKED BY DDOYE	DATE 2009/12/02			
		2 PLACES ± 0.13 ± ---		1 PLACE ± 0.25 ± ---		APPROVED BY DDOYE	DATE 2010/04/21	DOCUMENT NO. SD-111049-030		
ANGULAR ± 1 °		DRAFT WHERE APPLICABLE MUST REMAIN WITHIN DIMENSIONS		SEE TABLE		SHEET NO. 3 OF 3		THIS DRAWING CONTAINS INFORMATION THAT IS PROPRIETARY TO MOLEX INCORPORATED AND SHOULD NOT BE USED WITHOUT WRITTEN PERMISSION		



- NOTES:
1. PCB AND BRACKET SHOWN FOR REFERENCE ONLY.
 2. REF. SD-74547-100 FOR KEY POSITIONS
 3. GUIDE HOUSING MOUNTING THREAD= M2 X 0.40, SEE SHEET 3 FOR SCREW LENGTH + TORQUE SPEC.
 4. PLATE GROUND PAD WITH EMERSION SILVER OR GOLD.
 5. MATERIAL:
GUIDE HOUSING - ZINC DIECAST, NICKEL PLATED
COVER - STAINLESS STEEL
 6. THIS PRODUCT MEETS THE RESTRICTION OF HAZARDOUS SUBSTANCES IN ELECTRICAL AND ELECTRONIC EQUIPMENT (RoHS) DIRECTIVE (2002/95/EC)
 7. GUIDE HOUSING PEGS FOR ALIGNMENT ONLY, DO NOT SOLDER.
 8. THIS GUIDE HOUSING ASSEMBLY IS UNIVERSAL FOR SAS 2.1 AND SAS 2.0 CABLE ASSEMBLIES.

PART NUMBER	PORT SIZE	SW	OAW	KEY(S) PORT1	KEY(S) PORT2	KEY(S) PORT3	KEY(S) PORT4	IDENTIFIERS	SCREWS INCLUDED	SCREW LENGTH
1110490307	4	76.30	80.00	2.4	2.4	2.4	2.4	SAS OUT PORT/END DEVICE	NONE	N/A
1110490308	4	76.30	80.00	4.6	4.6	4.6	4.6	SAS IN PORT/END DEVICE	NONE	N/A
1110490309	4	76.30	80.00	4	4	4	4	SAS UNIVERSAL PORT	NONE	N/A



UPDATE P/N CHART

EC NO: USY2012-0469

DRWN:TPRATT 2011/11/03

CHKD:AJOHNSTON 2011/11/03

APPR:RMKHAN 2011/11/15

DESCRIPTION

QUALITY SYMBOLS

GENERAL TOLERANCES (UNLESS SPECIFIED)

	mm	INCH
4 PLACES	± ---	± ---
3 PLACES	± ---	± ---
2 PLACES	± 0.13	± ---
1 PLACE	± 0.25	± ---
ANGULAR ± 1 °		

DRAFT WHERE APPLICABLE MUST REMAIN WITHIN DIMENSIONS

DIMENSION STYLE: MM ONLY

SCALE: 1:1

DESIGN UNITS: METRIC

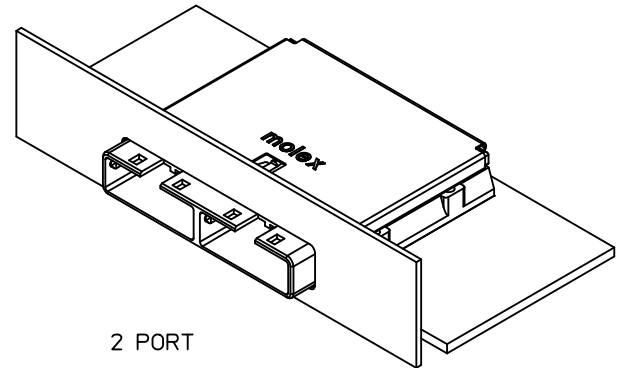
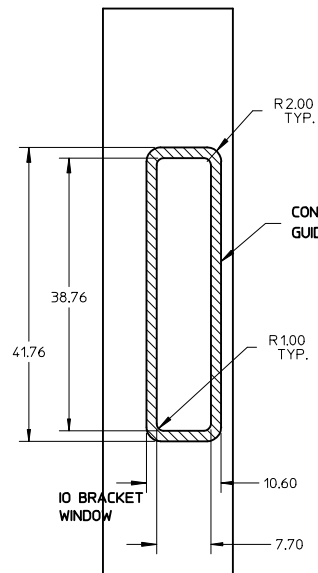
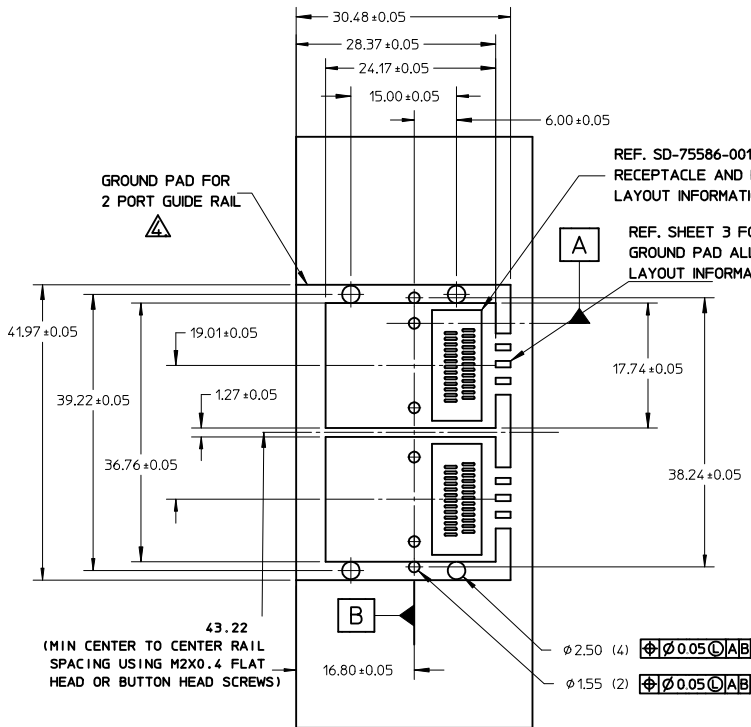
THIRD ANGLE PROJECTION

TITLE: IPASS MINISAS 2.1 26CKT GUIDE HOUSING ASSEMBLY 0 DEGREE, MULTI PORT

MOLEX INCORPORATED

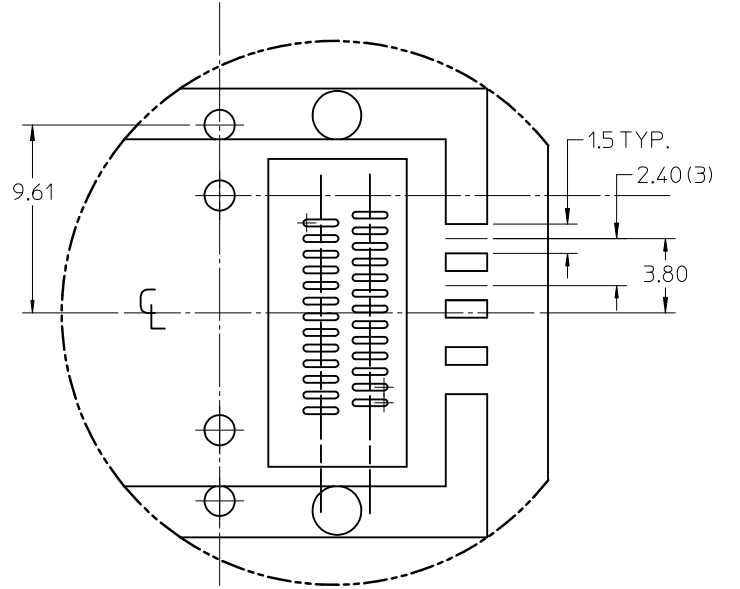
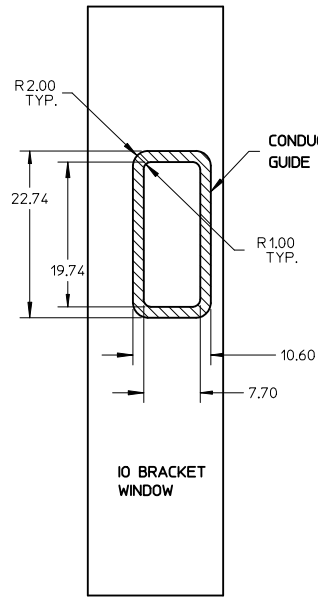
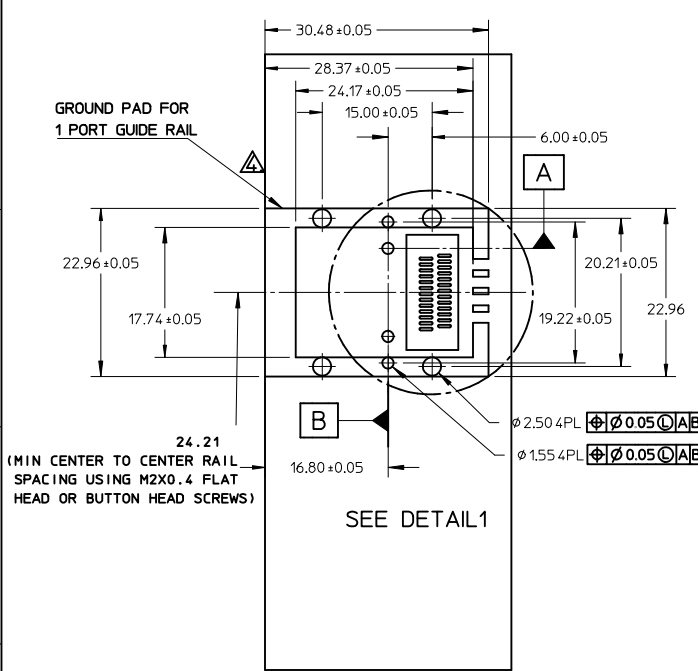
SD-111049-030

1 OF 3

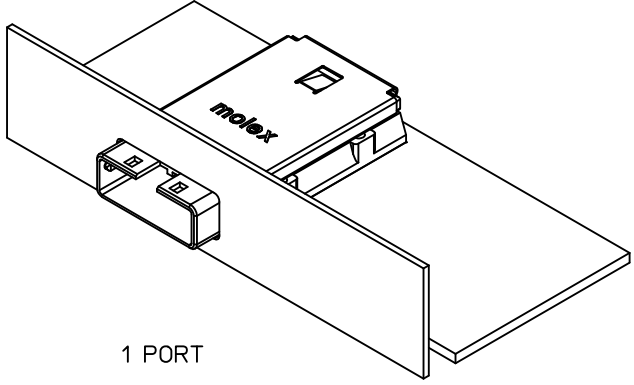


PART NUMBER	PORT SIZE	SW	OAW	KEY(S) PORT1	KEY(S) PORT2	IDENTIFIERS	SCREWS INCLUDED	SCREW LENGTH
1110490304	2	38.26	41.96	2,4	2,4	SAS OUT PORT/END DEVICE	NONE	N/A
1110490305	2	38.26	41.96	4,6	4,6	SAS IN PORT/END DEVICE	NONE	N/A
1110490306	2	38.26	41.96	4	4	SAS UNIVERSAL PORT	NONE	N/A
1110490310	2	38.26	41.96	2,4	4,6	SAS OUT PORT/SAS IN PORT	NONE	N/A
1110490321	2	38.26	41.96	6	6	SAS IN PORT	NONE	N/A

UPDATE P/N CHART EC NO: USY2012-0469 DRWN: PRATT 2011/11/03 CHKD: A JOHNSTON 2011/11/03 APPR: RINKHAN 2011/11/15	QUALITY SYMBOLS ▽=0 ▽=0	GENERAL TOLERANCES (UNLESS SPECIFIED)		DIMENSION STYLE MM ONLY		SCALE 1:1	DESIGN UNITS METRIC	THIRD ANGLE PROJECTION	
		4 PLACES ± --- ± --- 3 PLACES ± --- ± --- 2 PLACES ± 0.13 ± --- 1 PLACE ± 0.25 ± ---	mm INCH ± --- ± --- ± --- ± --- ± 0.13 ± --- ± 0.25 ± ---	DRAWN BY BREED	DATE 2009/12/02	TITLE IPASS MINISAS 2.1 26CKT GUIDE HOUSING ASSEMBLY 0 DEGREE, MULTI-PORT			
		ANGULAR ± 1 °		CHECKED BY DDOYE	DATE 2009/12/02	MOLEX INCORPORATED			
		DRAFT WHERE APPLICABLE MUST REMAIN WITHIN DIMENSIONS		APPROVED BY DDOYE	DATE 2010/04/21	MATERIAL NO. SEE TABLE		DOCUMENT NO. SD-111049-030	SHEET NO. 2 OF 3



DETAIL1
SCALE 4:1



1 PORT

PCB THICKNESS	SCREW LENGTH	TORQUE (IN LBS)
1.6 (.063')	5MM	2.3
2.38 (.093')	6MM	2.3
3.2 (.125')	6MM	2.3
X	+4MM MAX	2.3

PART NUMBER	PORT SIZE	SW	OAW	KEY(S)	IDENTIFIERS	SCREWS INCLUDED	SCREW LENGTH
1110490301	1	19.24	22.95	2,4	SAS OUT PORT/END DEVICE	NONE	N/A
1110490302	1	19.24	22.95	4,6	SAS IN PORT/END DEVICE	NONE	N/A
1110490303	1	19.24	22.95	4	SAS UNIVERSAL PORT	NONE	N/A
1110490320	1	19.24	22.95	2	SAS OUT PORT	NONE	N/A
1110490303	1	19.24	22.95	4	SAS UNIVERSAL PORT	NONE	N/A
1110490323	1	19.24	22.95	4	SAS UNIVERSAL PORT	74540-0042	6MM

UPDATE P/N CHART EC NO: USY2012-0469 DRWN:TPRATT 2011/11/03 CHKD:AJOHNSTON 2011/11/03 APPR:RJKHAN 2011/11/15	QUALITY SYMBOLS ▽=0 ▽=0	GENERAL TOLERANCES (UNLESS SPECIFIED)		DIMENSION STYLE MM ONLY		SCALE 1:1	DESIGN UNITS METRIC	THIRD ANGLE PROJECTION		
		mm		INCH		DRAWN BY BREED	DATE 2009/12/02	TITLE IPASS MINISAS 2.1 26CKT GUIDE HOUSING ASSEMBLY 0 DEGREE, MULTIPORT MOLEX MOLEX INCORPORATED		
		4 PLACES ± --- ± ---		3 PLACES ± --- ± ---		CHECKED BY DDOYE	DATE 2009/12/02			
		2 PLACES ± 0.13 ± ---		1 PLACE ± 0.25 ± ---		APPROVED BY DDOYE	DATE 2010/04/21	DOCUMENT NO. SD-111049-030		
DRAFT WHERE APPLICABLE MUST REMAIN WITHIN DIMENSIONS				SEE TABLE		MATERIAL NO.		SHEET NO. 3 OF 3		