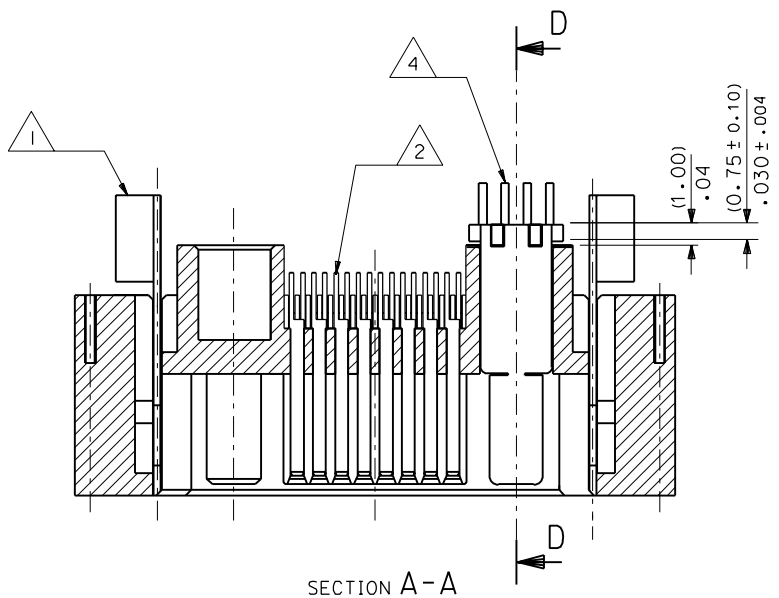
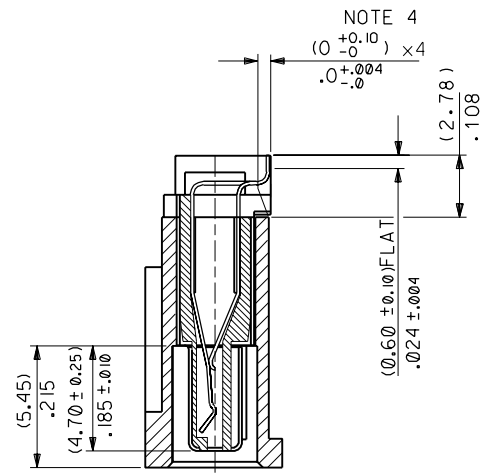


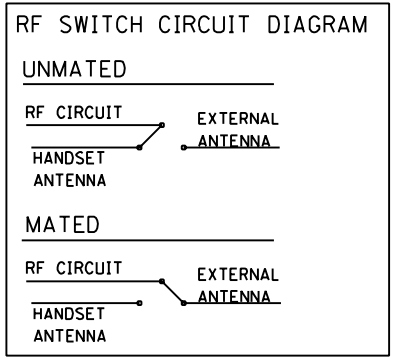
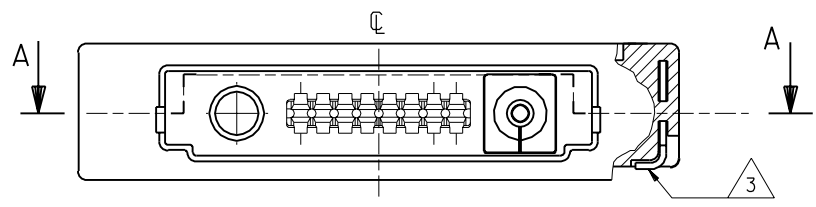
PART NO. SDA-90811-2003
 DWG. NO. 90811-2003



SECTION A-A



SECTION D-D
 RF SWITCH DETAIL

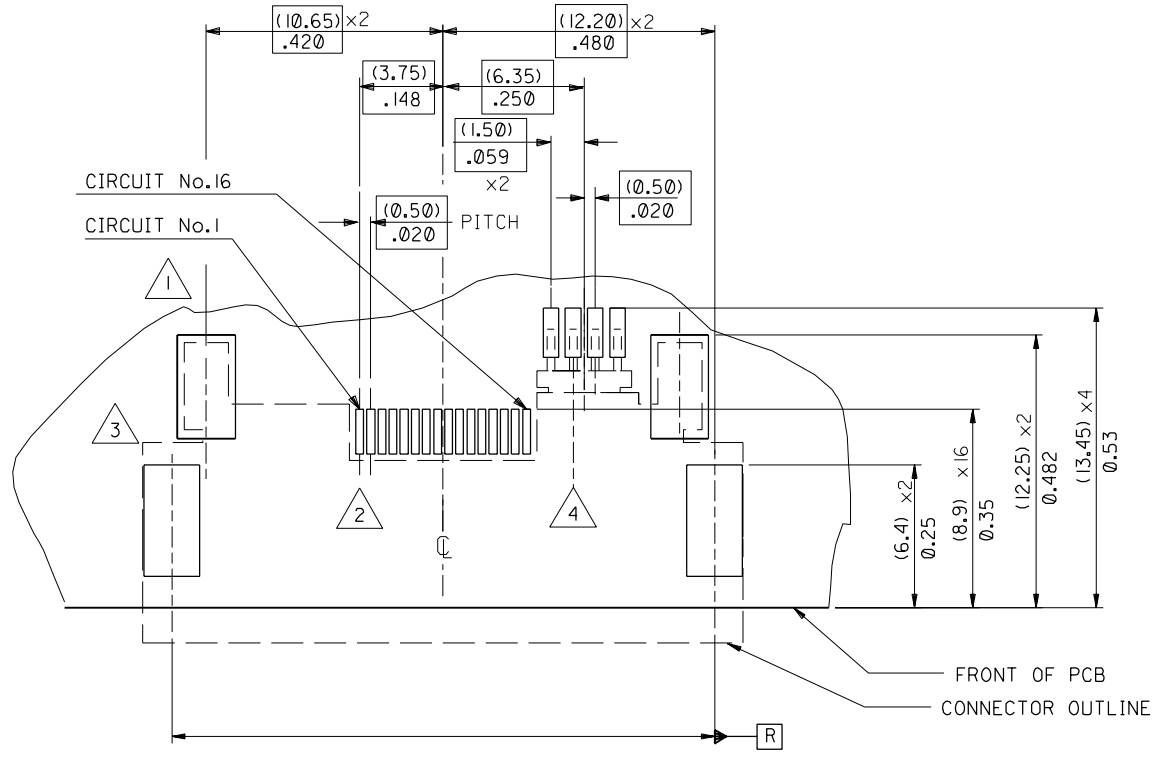


FOR MISSING DIMENSIONS AND NOTES SEE DRAWING SDA-90811-2001

ORIGINAL RELEASE ECN E 50463 95.03.29 HDU	DIMENSIONS SHOWN (METRIC) INCH UNLESS OTHERWISE SPECIFIED TOLERANCES: ANGULAR ± 1/2°	DRWG BY HDU
LTR REVISIONS	INCH (METRIC)	CHK'D BY
	3 PLACE ± .002 ± 0.05 2 PLACE ± .004 ± 0.10 1 PLACE ± 0.10	APP'D BY
A	DRAFT WHERE APPLICABLE MUST REMAIN WITHIN DIMENSIONS	SCALE 5:1
	DESIGN DIMENSION (PRIMARY) <input checked="" type="checkbox"/> (MM) <input type="checkbox"/> IN.	
	EQUIVALENT DIMENSION (SECONDARY) <input type="checkbox"/> (MM) <input checked="" type="checkbox"/> IN.	

REVISE ONLY ON CAD SYSTEM		SHL	REV.
CAD/CAM FILENAME S908113 DGN	THIS DRAWING CONTAINS INFORMATION THAT IS PROPRIETARY TO MOLEX INC. & SHOULD NOT BE USED WITHOUT WRITTEN PERMISSION		
TITLE I/O CONNECTOR FOR MOBILE PHONE			
MOLLEX MOLEX EUROPE		SHEET NO. 10F2	DATE 95/03/29
PART NO. 90811-2003	DWG NO. SDA-90811-2003	SIZE B	

PART NO. 90811-2003
 Dwg. No. SDA-90811-2003



COMPONENT	PCB PAD DIMENSION	QTY
LOCKING LATCHES	(2.60)/.102 x (4.65)/.183	Φ (0.10) / .004 R (x2)
SIGNAL CONTACTS	(0.35 \pm 0.05) / .014 \pm 0.002 x (2.0) / .08	Φ (0.10) / .004 R (x16)
SMT RETENTION PADS	(2.50)/.098 x (5.0)/.197	Φ (0.10) / .004 R (x2)
CO-AX CONDUCTOR	(0.70) / .028 x (2.2) / .087	Φ (0.10) / .004 R (x4)

FOR PREVIOUS DRAWING ISSUES SEE MRI.

A SEE SHEET I.

LTR	REVISIONS	DIMENSIONS SHOWN (METRIC) INCH	
		INCH	(METRIC)
		UNLESS OTHERWISE SPECIFIED TOLERANCES: ANGULAR \pm 1/2°	
		3 PLACE \pm .002	(MM)
		2 PLACE \pm .004	\pm 0.05
		1 PLACE	\pm 0.10
		DRAFT WHERE APPLICABLE MUST REMAIN WITHIN DIMENSIONS	
		DESIGN DIMENSION	<input type="checkbox"/> (MM)
		(PRIMARY)	<input type="checkbox"/> IN.
		EQUIVALENT DIMENSION	<input type="checkbox"/> (MM)
		(SECONDARY)	<input type="checkbox"/> IN.

DRWG BY HDU
 CHK'D BY
 APP'D BY
 SCALE 5:1

REVISE ONLY ON CAD SYSTEM		SH.	REV.
CAD/CAM FILENAME: A90811.DGN		THIS DRAWING CONTAINS INFORMATION THAT IS PROPRIETARY TO MOLEX INC. & SHOULD NOT BE USED WITHOUT WRITTEN PERMISSION	
TITLE: I/O CONNECTOR FOR MOBILE PHONE PCB LAYOUT			
MOLLEX MOLEX EUROPE		SHEET NO. 20F	DATE 95/03/29
PART NO. 90811-2003	DWG NO. SDA-90811-2003	SIZE B	