

6

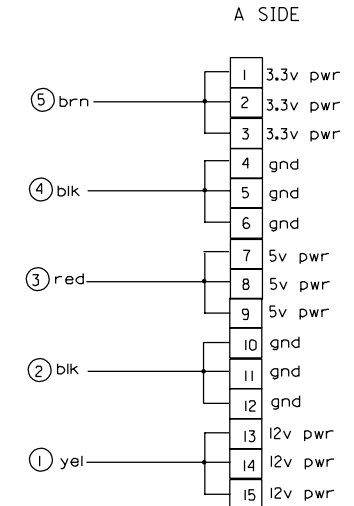
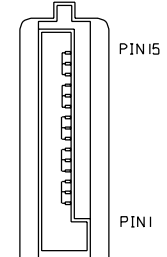
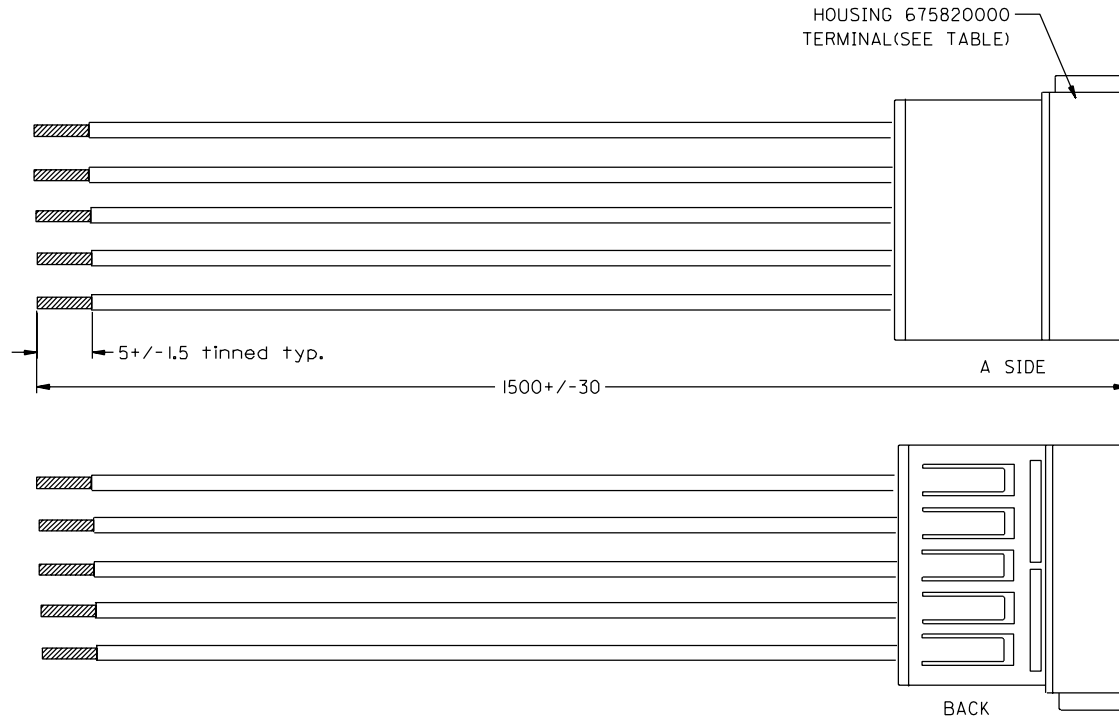
5

4

3

2

1



887577811	675810001 30u'
887577810	675810000 GOLD FLASH
MATERIAL NO.	TERMINAL

5	UL 1007 #18 BRN 887711305
4	UL 1007 #18 BLK 887711300
3	UL 1007 #18 RED 887711301
2	UL 1007 #18 BLK 887711300
1	UL 1007 #18 YEL 887711303
Item	WIRE TYPE

NOTE: 1. ELECTRIC PERFORMANCE:
 ▽ DIELECTRIC STRENGTH: 500 V DC/0.01Sec.
 INSULATION RESISTANCE: 100M OHMS Min.
 CONDUCTIVE RESISTANCE: 2 OHMS Max.
 2. HOUSING 675820000:
 POLYESTER(PBT), UL94V-0(BLACK)

EC NO. A1	DRWN: BENTZ 02/08/08	CHK: APPR:	DESCRIPTION REV
--------------	----------------------	---------------	--------------------

QUALITY SYMBOLS MAJOR ▼ = CRITICAL ▽ = I	GENERAL TOLERANCES: (UNLESS SPECIFIED)	
	mm	INCH
	4 PLACES ±0.	±.
	3 PLACES ±0.	±.
	2 PLACES ±0.	±.
1 PLACE ±0.	±.	
ANGULAR: ±		°

SCALE	DESIGN UNITS <input type="checkbox"/> mm <input type="checkbox"/> INCH
DRAWN BY & DATE BENTZ 02/08/08	
CHECKED BY & DATE Tony Wong 02/08/08	
APPROVED BY & DATE Tony Wong 02/08/08	
CAD FILENAME	S88755AE.S01

THIRD ANGLE PROJECTION	DIMENSIONS: <input type="checkbox"/> mm <input type="checkbox"/> INCH	SHT	REV
TITLE: S-ATA POWER CABLE ASSEMBLY			
MOLEX INCORPORATED			
MATERIAL NO. SEE TABLE	DRAWING NO. SD-88755-005	SHEET NO. 1 OF 1	
THIS DRAWING CONTAINS INFORMATION THAT IS PROPRIETARY TO MOLEX INCORPORATED AND SHOULD NOT BE USED WITHOUT WRITTEN PERMISSION.			SIZE A4

6

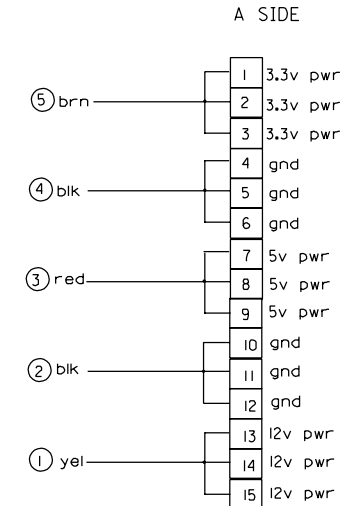
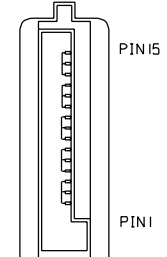
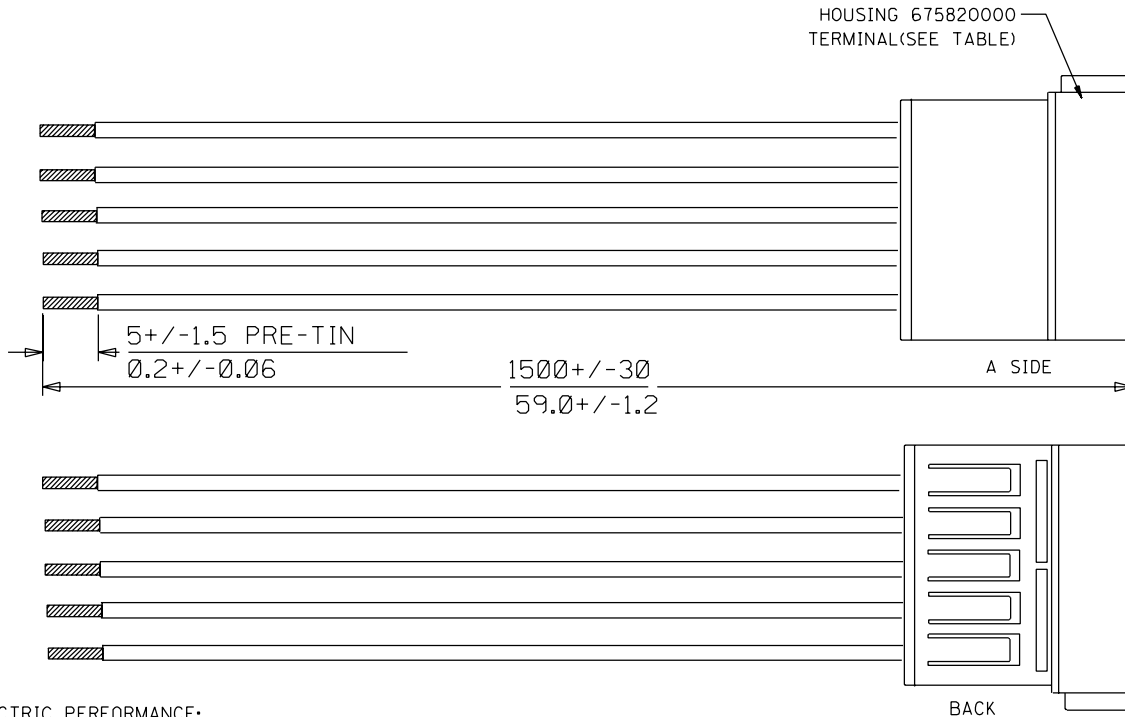
5

4

3

2

1



NOTE: 1. ELECTRIC PERFORMANCE:
 DIELECTRONIC STRENGTH: 500 V DC/0.01Sec.
 INSULATION RESISTANCE: 100M OHMS Min.
 CONDUCTIVE RESISTANCE: 2 OHMS Max.
 2. HOUSING 675820000:
 POLYESTER(PBT), UL94V-0(BLACK)

887577811	675810001 30u" Gold-plated
887577810	675810000 GOLD FLASH
MATERIAL NO.	TERMINAL

TABLE

5	UL1007 #18 BRN 887711305
4	UL1007 #18 BLK 887711300
3	UL1007 #18 RED 887711301
2	UL1007 #18 BLK 887711300
1	UL1007 #18 YEL 887711303
Item	WIRE TYPE

CONNECTION DIAGRAM

EC NO. DRWN: Louis 04/03/23 CHK: APPR:	EC NO. DRWN: BENTZ 02/08/08 CHK: APPR:	DESCRIPTION REV	QUALITY SYMBOLS MAJOR ▼ = 0 CRITICAL ▽ = 0	GENERAL TOLERANCES: (UNLESS SPECIFIED)		SCALE	DESIGN UNITS <input checked="" type="checkbox"/> mm <input type="checkbox"/> INCH	THIRD ANGLE <input checked="" type="checkbox"/> PROJECTION	DIMENSIONS: <input type="checkbox"/> mm <input type="checkbox"/> INCH <input checked="" type="checkbox"/> mm ONLY		SHT	REV
				4 PLACES ±0.	±.	DRAWN BY & DATE BENTZ 02/08/08	TITLE: S-ATA POWER TO PIGTAIL CABLE ASSEMBLY 1.5M (3.3V+5V+12V)					
				3 PLACES ±0.	±.	CHECKED BY & DATE Tony Wong 02/08/08	MOLEX INCORPORATED					
				2 PLACES ±0.	±.	APPROVED BY & DATE Tony Wong 02/08/08	CAD FILENAME S88755AE.S01	MATERIAL NO. SEE TABLE	DRAWING NO. SD-88755-005	SHEET NO. 1 OF 1		
				1 PLACE ±0.	±.	ANGULAR: ± °	THIS DRAWING CONTAINS INFORMATION THAT IS PROPRIETARY TO MOLEX INCORPORATED AND SHOULD NOT BE USED WITHOUT WRITTEN PERMISSION.				SIZE A4	