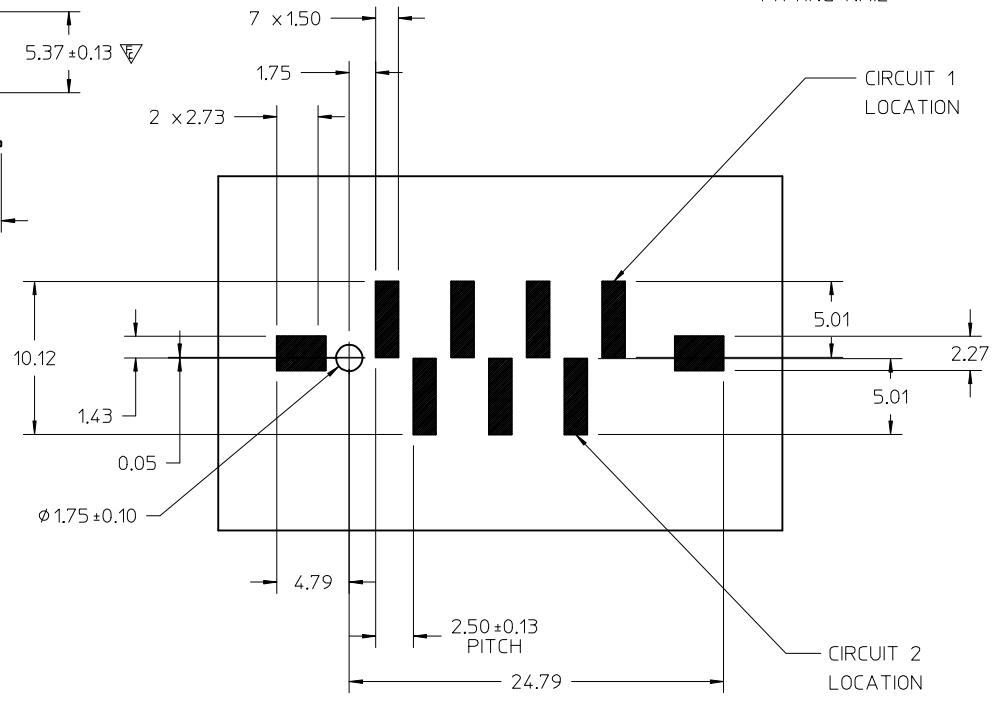
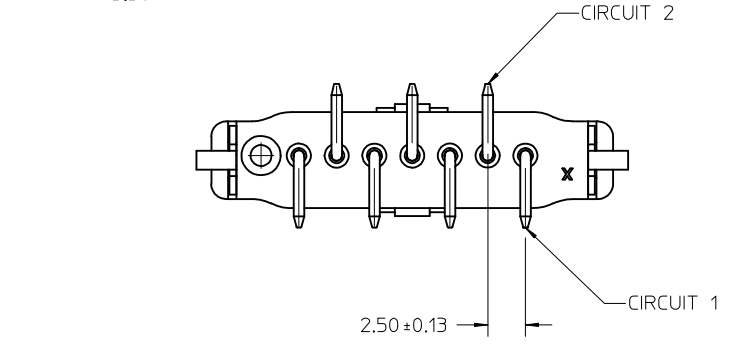
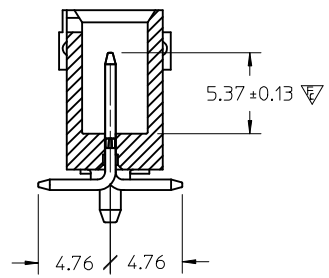
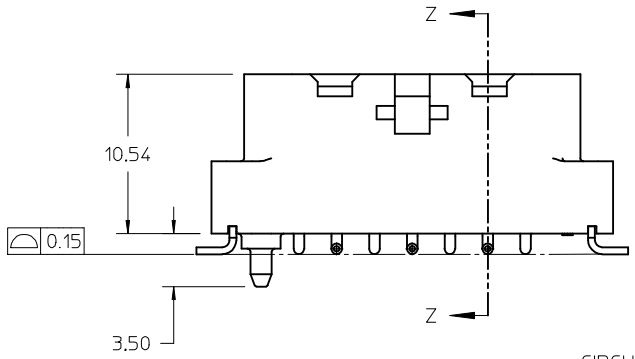
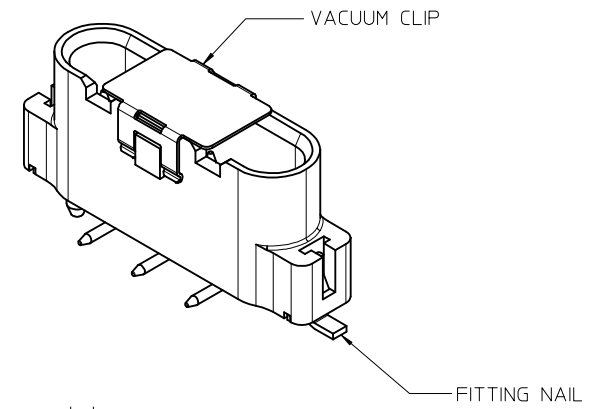
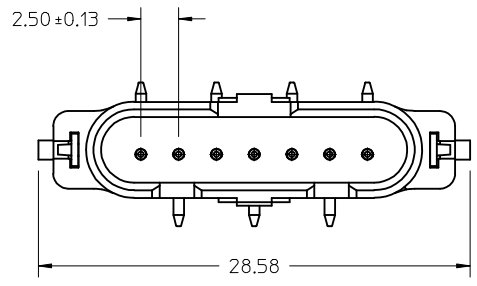


PART NUMBER	DESCRIPTION	PACKAGING TYPE	SPQ
46781-2000	SPOX BMI SMT 1X7 CIRCUITS	TRAY	512
46781-3000	SPOX BMI SMT 1X7 CIRCUITS	TAPE AND REEL	X



- NOTES:
- HOUSING MATERIAL: LCP, 94 V-0, BLACK  
PIN MATERIAL: 0.7mm ROUND BRASS  
PIN PLATING: 2.5µm (100µin) TIN OVER  
1.25µm (50µin) NICKEL.
  - PART MATES WITH MOLEX RECEPTACLE SERIES 46528.
  - PACKAGING SPECIFICATION: SEE TABLE
  - WHEN THIS PRODUCT IS USED IN A BLIND MATING APPLICATION THE SYSTEM LEVEL DESIGN MUST INCORPORATE GUIDANCE SO THE CONNECTORS ARE WITHIN THE CAPTURE ENVELOPE OF THE FLANGES ON THE HEADER OR PLUG HOUSING AND CAN THUS ALIGN THEMSELVES AS THEY COME TOGETHER.  
FLOAT IS ALSO REQUIRED IN THE OVERALL DESIGN, TO ALLOW THE PCB RECEPTACLE OR IT'S MATE TO MOVE INTO A STRESS-FREE POSITION AFTER MATING.
  - PRODCUT SPECIFICATION: TBD

CO-PLANARITY DIMENSION ADDED EC NO: I2015-0164 DRAWN: PRAMAKRISHNA 2015/05/25 CHKD: APPR: KPRASAD 2015/06/04	QUALITY SYMBOLS	GENERAL TOLERANCES (UNLESS SPECIFIED)	DIMENSION STYLE <b>MM ONLY</b>	SCALE <b>4:1</b>	DESIGN UNITS <b>METRIC</b>	THIRD ANGLE PROJECTION
	▽ = 0	4 PLACES ± --- ± ---	DRAWN BY DATE DROSCA 06/02/09	TITLE <b>SMTSPOX HEADER ASSY VERTICAL, SINGLE ROW 1X7 2.5MM SPACING</b>		
	▽ = 1	3 PLACES ± --- ± ---	CHECKED BY DATE JCOMERC I 06/02/09	MATERIAL NO. <b>SEE TABLE</b>		
	▽ = 0	2 PLACES ± 0.13 ± --- 1 PLACE ± 0.25 ± --- ANGULAR ± 1/2°	APPROVED BY DATE JCOMERC I 06/02/09	DOCUMENT NO. <b>SD-46781-200</b>		
REV: A2	DESCRIPTION	DRAFT WHERE APPLICABLE MUST REMAIN WITHIN DIMENSIONS	SIZE C	SHEET NO. <b>1 OF 1</b>		
				THIS DRAWING CONTAINS INFORMATION THAT IS PROPRIETARY TO MOLEX INCORPORATED AND SHOULD NOT BE USED WITHOUT WRITTEN PERMISSION		