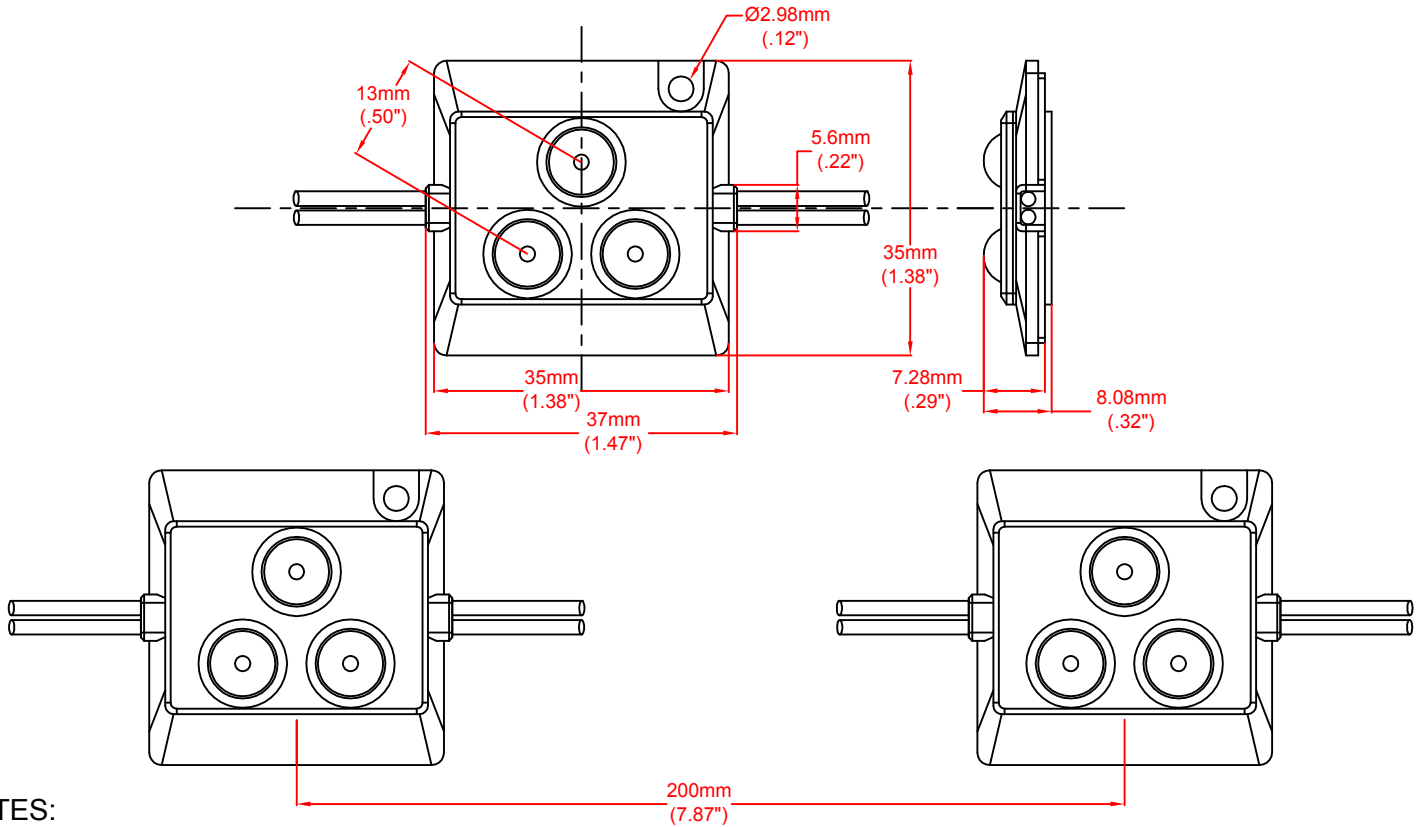


WIDE BEAM LED CHANNEL MODULE

FEATURES

- WIDE BEAM ANGLE (160°)
- LONG LIFE 50,000 HOURS TO L70
- EASY INSTALLATION
- WATER RESISTANT IP67
- LOW WORKING VOLTAGE 12 VDC
- 5 YEAR WARRANTY
- OPERATING TEMPERATURE -20°C TO +70°C
- STANDARD PACKAGING: 30 MODULES PER STRAND / 6 METERS



NOTES:

1. Double Sided Tape on Backside of Modules.
2. Use a Number 3 Screw for Mounting.
3. Wire with Red Stripe is Positive Input
4. 20 AWG Wire.
5. Use no more than 50 Modules in Series.
6. Can be used with a ZPS-1260 Power Supply.
7. Take care to prevent exposed wire on the ends.



SPECIFICATIONS

JKL Module Part Number	Input Voltage	Power Per Module	CCT	Beam Angle	CRI	Luminus Flux Per Module
ZM-3537-CW	12 VDC	1 Watt	6500K	160°	80	100 lm

JKL PART NUMBER: ZM-3537-CW



ATTENTION
OBSERVE PRECAUTION FOR HANDLING ELECTROSTATIC DISCHARGE SENSITIVE DEVICES

METRIC THIRD ANGLE PROJECTION		DIMENSIONS ARE IN mm (INCHES) TOLERANCE UNLESS OTHERWISE SPECIFIED 1 PL +/- REF. 2 PL +/- ANGLE +/-		JKL COMPONENTS CORPORATION TITLE WIDE BEAM LED CHANNEL MODULE			
DRAWN BY L. WENGSTROM	APPV'D BY L.R.	DATE 8/12/15	SIZE A	FSCM NO. 55335	DRAWING NO. ZM-3537-CW		
- CAD DRAWING - MANUAL REVISIONS NOT PERMITTED			SCALE NONE	RELEASED DATE 7/21/15	REVISION DATE 8/12/15	REV. NO. A	
REV. NO.	DESCRIPTION/ECO NUMBER	APPV'D DATE	SHEET 1 OF 1				

REV. NO. A	ADD UL CERTIFICATION RELEASE	8/12/15 7/21/15
REV. NO.	DESCRIPTION/ECO NUMBER	APPV'D DATE