

DO NOT SCALE FROM THIS PRINT

QFS-XXX-XX-XX-D-RA-XXX-XX

No. OF POSITIONS
-026, -052, -078, -104
(PER ROW)

PACKAGING OPTION
-TR: TAPE & REEL PACKAGING
(-026 & -052 WITH NO OPTIONS)
(-026 & -052 WITH -PC4)
(-026 WITH -PC8)

LEAD STYLE
-01: .062[1.57]
-02: .093[2.36]

OPTION
-K: KAPTON PAD
(USE K-DOT-.310-.406-.005)
-PC4: 4 POWER PINS
(SEE FIG 2, SHEET 5)
(NOT AVAILABLE WITH -104 POS)
-PC8: 8 POWER PINS
(SEE FIG 3, SHEET 5)
(NOT AVAILABLE WITH -104 POS)

-RA: RIGHT ANGLE

ROW SPECIFICATION

-D: DOUBLE (USE QFS-26-01-D-XX-RA)

PLATING SPECIFICATION

(SEE TABLE 6, SHEET 4)

-SL: 10µ" GOLD IN CONTACT AREA, MATTE TIN TAIL
-S: 30µ" GOLD IN CONTACT AREA, MATTE TIN TAIL
-L: 10µ" GOLD IN CONTACT AREA, 3µ" GOLD ON TAIL
-H: 30µ" GOLD IN CONTACT AREA, 3µ" GOLD ON TAIL

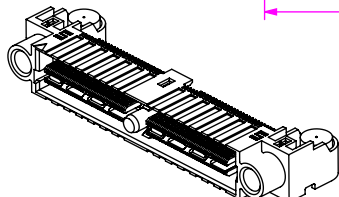
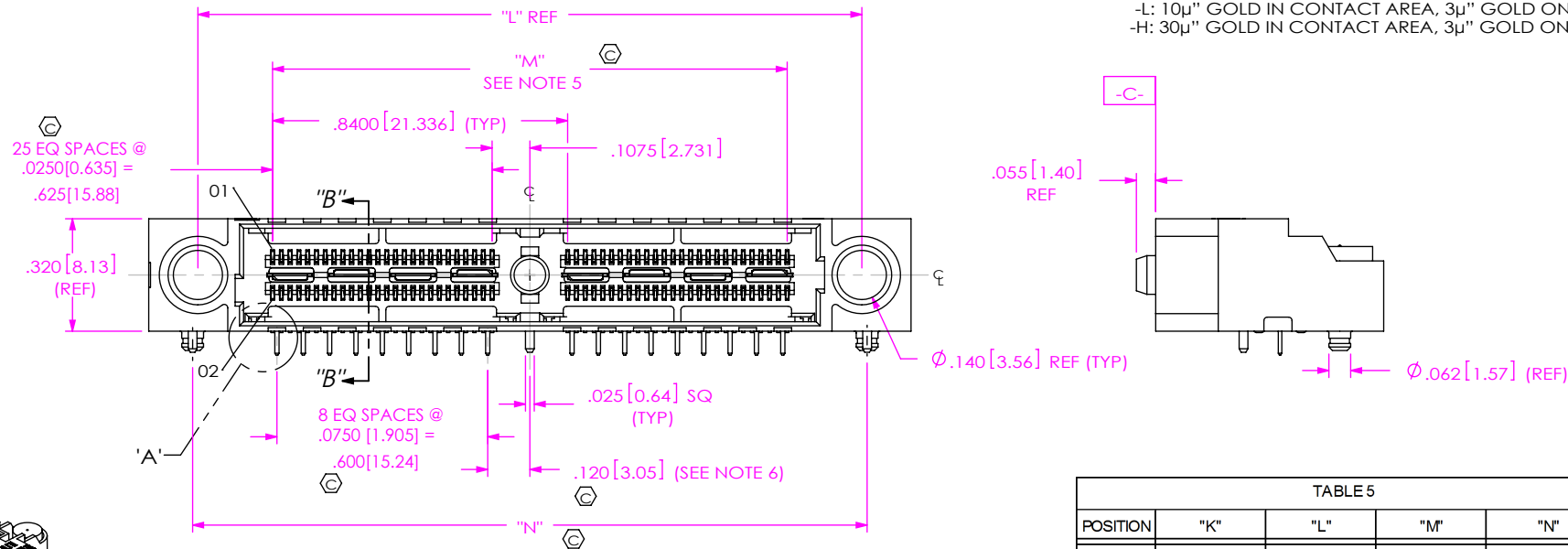
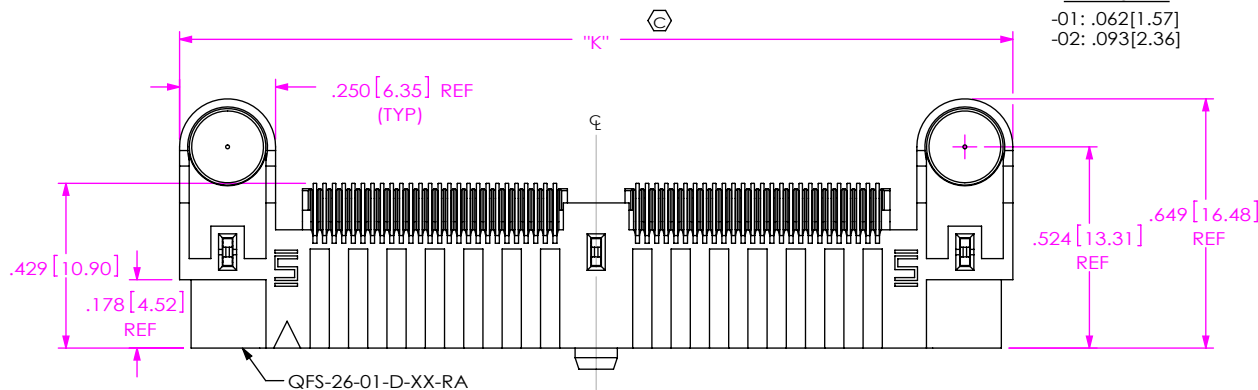


TABLE 5				
POSITION	"K"	"L"	"M"	"N"
-026	1.330 [33.78]	1.050 [26.67]	.625 [15.88]	1.080 [27.43]
-052	2.170 [55.12]	1.890 [48.01]	1.465 [37.21]	1.920 [48.77]
-078	3.010 [76.45]	2.730 [69.34]	2.305 [58.55]	2.760 [70.10]
-104	3.850 [97.79]	3.570 [90.68]	3.145 [79.88]	3.600 [91.44]

FIG 1
(QFS-052-01-XX-D-RA SHOWN)

NOTES:

- REPRESENTS A CRITICAL DIMENSION.
- MAXIMUM BURR ALLOWANCE: .0010[0.02].
- MINIMUM PUSHOUT FORCE: SIGNAL: .5 LB [2.22 N], SHIELD/GROUND, POWER PIN AND COUNTERWEIGHT: 1 LB [4.45 N].
- PARTS TO BE PACKAGED IN TRAYS AS STANDARD.
- PLUS .007" ALLOWED ON 4 BANK.
- DOES NOT APPLY TO 1 BANK.
- USE -Z- DATUM ZONE FOR ONLY MEASUREMENTS.

UNLESS OTHERWISE SPECIFIED, DIMENSIONS ARE IN INCHES.
TOLERANCES ARE:
DECIMALS ANGLES
.XX: ±.01 [.3] 2°
.XXX: ±.005 [.13]
.XXXX: ±.0020 [.051]

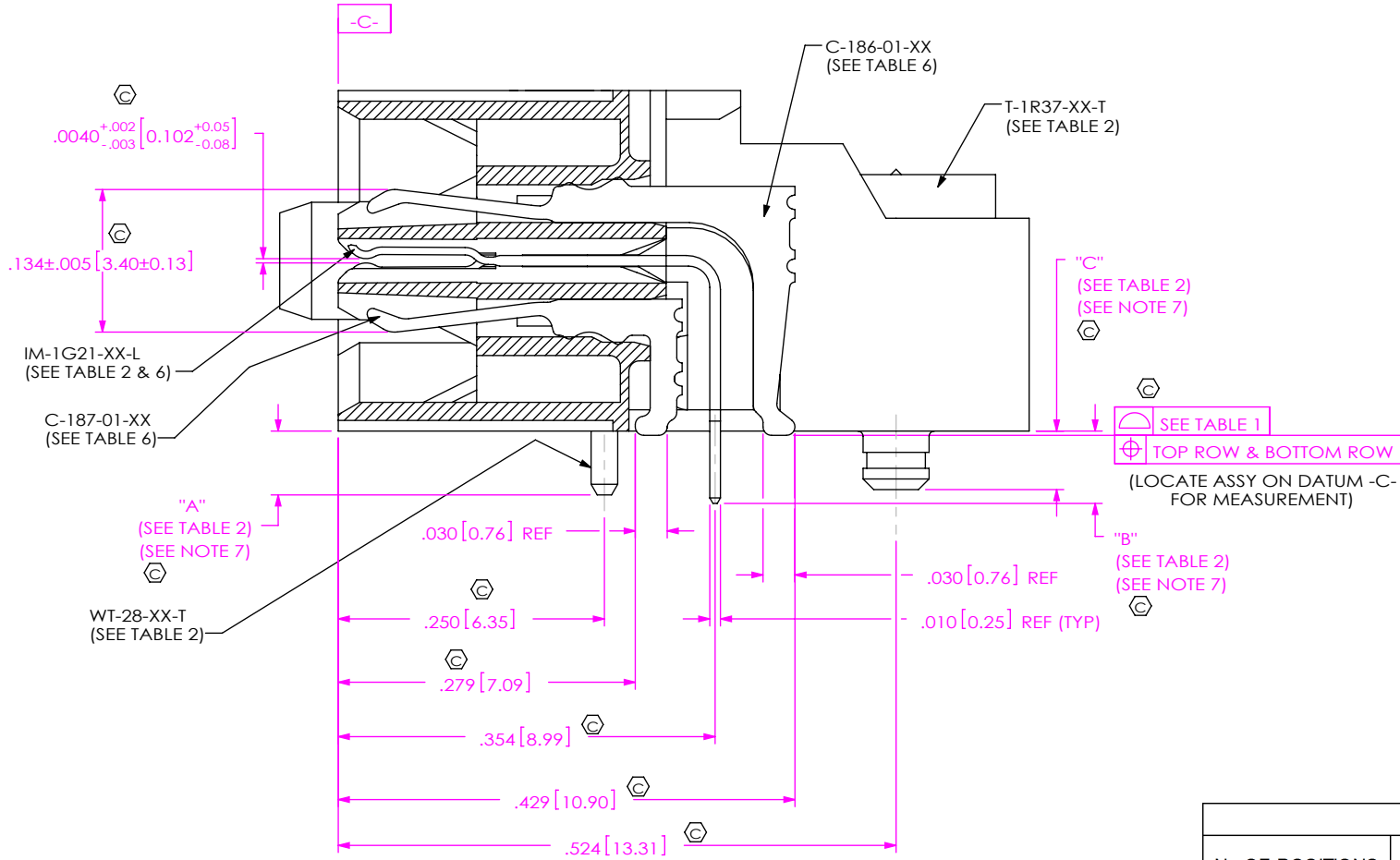
PROPRIETARY NOTE
* THIS DOCUMENT CONTAINS CONFIDENTIAL AND PROPRIETARY INFORMATION AND ALL DESIGN, MANUFACTURING, REPRODUCTION, USE, PATENT RIGHTS AND SALES RIGHTS ARE EXPRESSLY RESERVED BY SAMTEC, INC. THIS DOCUMENT SHALL NOT BE DISCLOSED, IN WHOLE OR PART, TO ANY UNAUTHORIZED PERSON OR ENTITY NOR REPRODUCED, TRANSFERRED OR INCORPORATED IN ANY OTHER PROJECT IN ANY MANNER WITHOUT THE EXPRESS WRITTEN CONSENT OF SAMTEC, INC.

MATERIAL: DO NOT SCALE DRAWING SHEET SCALE: 2:1
INSULATOR: LCP, COLOR BLACK
CONTACT, POWER PIN & GROUND PLANE: PHOS BRONZE
COUNTERWEIGHT: BRASS

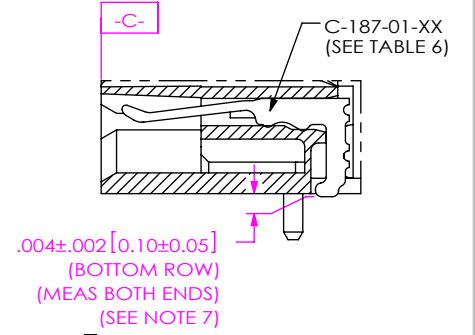
DESCRIPTION:
.635mm DUAL ROW RIGHT ANGLE SOCKET ASSEMBLY
DWG. NO.

QFS-XXX-XX-XX-D-RA-XXX-XX

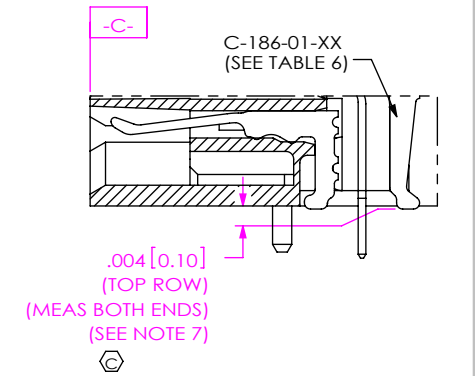
BY: CLAY W 8/25/2006 SHEET 1 OF 6



SECTION "B"-"B"
SCALE 6:1



BOTTOM ROW - TAIL DETAIL
(LOCATE ASSEMBLY ON DATUM -C- FOR MEASUREMENT)



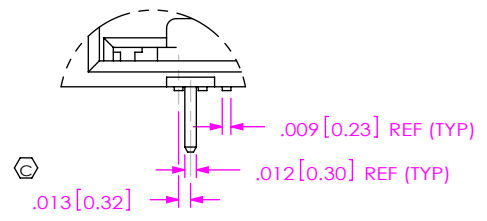
TOP ROW - TAIL DETAIL
(LOCATE ASSEMBLY ON DATUM -C- FOR MEASUREMENT)

TABLE 1

No OF POSITIONS	COPLANARITY	STRAIGHTNESS ROW 1	STRAIGHTNESS ROW 2
-026 THRU -052	.004[.10]	.004[.10]	.004[.10]
-078 THRU -104	.006[.15]	.006[.15]	.006[.15]

TABLE 2

LEAD STYLE	"A"	"B"	"C"	WT-28-XX-T	IM-1G21-XX-L	T-1R37-XX-T
-01	.060[1.52]	.068[1.73]	.055[1.40]	WT-28-01-T	IM-1G21-01-L	T-1R37-01-T
-02	.091[2.31]	.099[2.51]	.086[2.18]	WT-28-02-T	IM-1G21-02-L	T-1R37-02-T



DETAIL 'A'
SCALE 5:1

PROPRIETARY NOTE
THIS DOCUMENT CONTAINS CONFIDENTIAL AND PROPRIETARY INFORMATION AND ALL DESIGN, MANUFACTURING, REPRODUCTION, USE, PATENT RIGHTS AND SALES RIGHTS ARE EXPRESSLY RESERVED BY SAMTEC, INC. THIS DOCUMENT SHALL NOT BE DISCLOSED, IN WHOLE OR IN PART, TO ANY UNAUTHORIZED PERSON OR ENTITY NOR REPRODUCED, TRANSFERRED OR INCORPORATED IN ANY OTHER PROJECT IN ANY MANNER WITHOUT THE EXPRESS WRITTEN CONSENT OF SAMTEC, INC.

DO NOT SCALE DRAWING
SHEET SCALE: 6:1



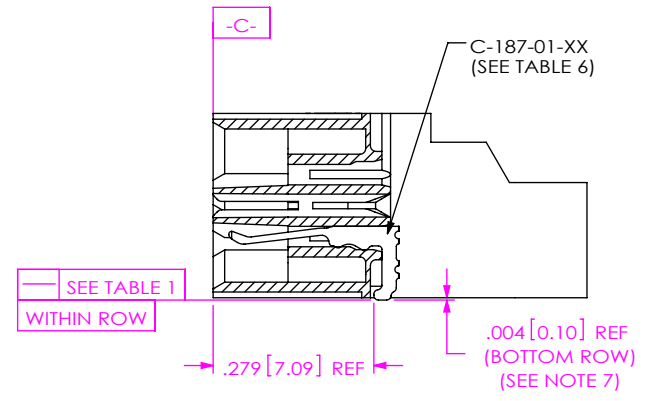
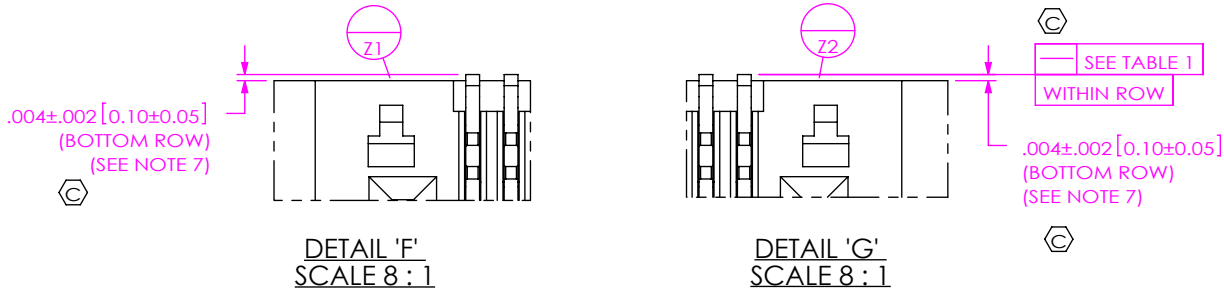
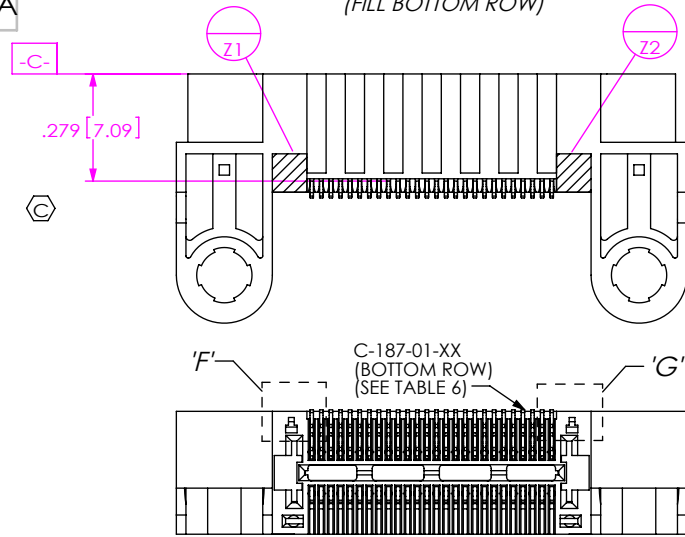
520 PARK EAST BLVD, NEW ALBANY, IN 47150
PHONE: 812-944-6733 FAX: 812-948-5047
e-Mail info@SAMTEC.com code 55322

DESCRIPTION:
.635mm DUAL ROW RIGHT ANGLE SOCKET ASSEMBLY
DWG. NO.

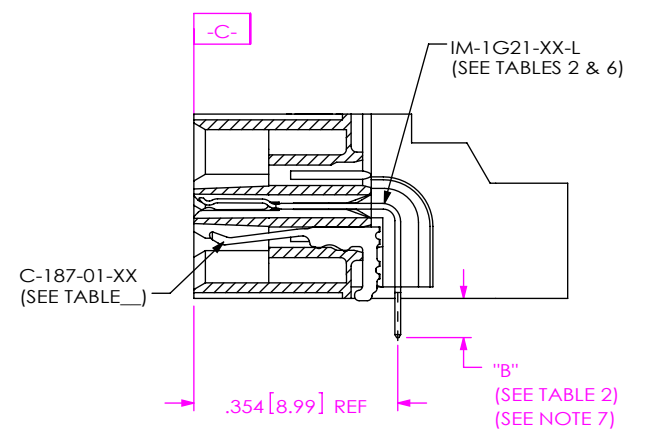
QFS-XXX-XX-XX-D-RA-XXX-XX

BY: CLAY W 8/25/2006 SHEET 2 OF 6

INSPECTION VIEW 1
(FILL BOTTOM ROW)

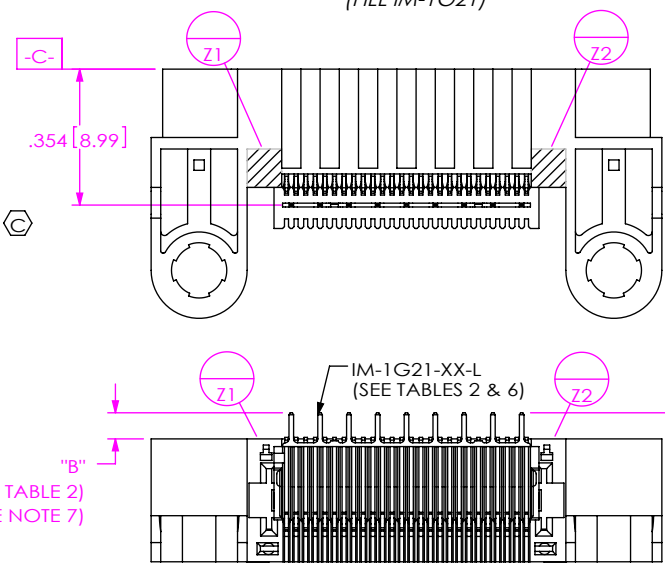


IN-PROCESS 1
(FILL BOTTOM ROW)
(SEE INSPECTION VIEW 1 FOR ORIENTATION AND CPC'S)



IN-PROCESS 2
(FILL IM-1G21)
(SEE INSPECTION VIEW 2 FOR ORIENTATION AND CPC'S)

INSPECTION VIEW 2
(FILL IM-1G21)



PROPRIETARY NOTE
THIS DOCUMENT CONTAINS CONFIDENTIAL AND PROPRIETARY INFORMATION AND ALL DESIGN, MANUFACTURING, REPRODUCTION, USE, PATENT RIGHTS AND SALES RIGHTS ARE EXPRESSLY RESERVED BY SAMTEC, INC. THIS DOCUMENT SHALL NOT BE DISCLOSED, IN WHOLE OR PART, TO ANY UNAUTHORIZED PERSON OR ENTITY NOR REPRODUCED, TRANSFERRED OR INCORPORATED IN ANY OTHER PROJECT IN ANY MANNER WITHOUT THE EXPRESS WRITTEN CONSENT OF SAMTEC, INC.

DO NOT SCALE DRAWING
SHEET SCALE: 2:1



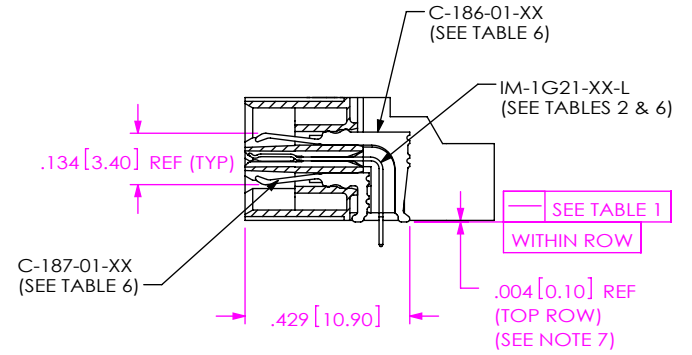
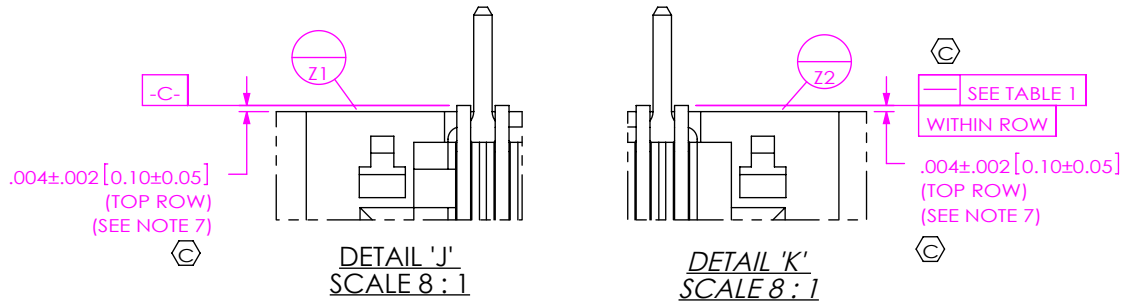
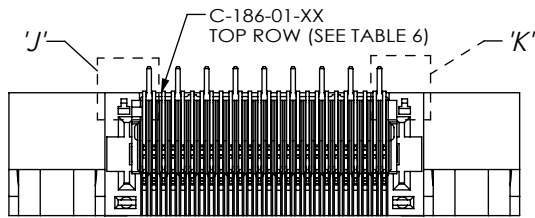
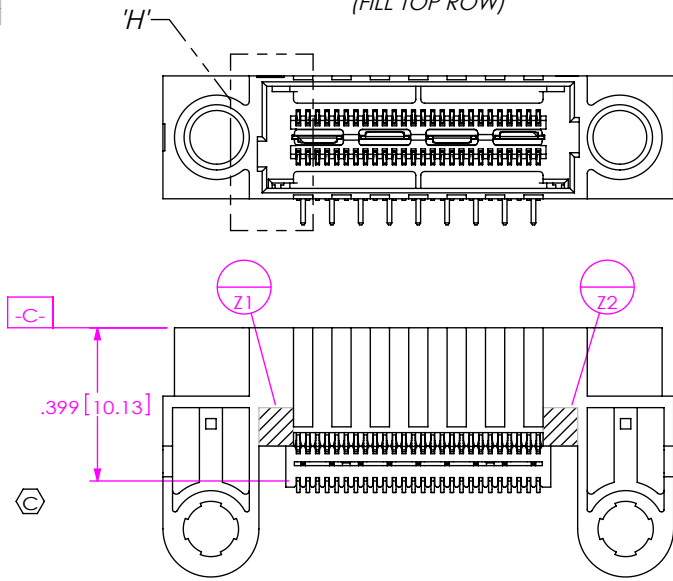
520 PARK EAST BLVD, NEW ALBANY, IN 47150
PHONE: 812-944-6733 FAX: 812-948-5047
e-Mail: info@SAMTEC.com code 55322

DESCRIPTION:
.635mm DUAL ROW RIGHT ANGLE SOCKET ASSEMBLY

DWG. NO.
QFS-XXX-XX-XX-D-RA-XXX-XX

BY: CLAY W 8/25/2006 SHEET 3 OF 6

INSPECTION VIEW 3
(FILL TOP ROW)



IN-PROCESS 3
(FILL TOP ROW)
(SEE INSPECTION VIEW 3 FOR ORIENTATION AND CPC'S)

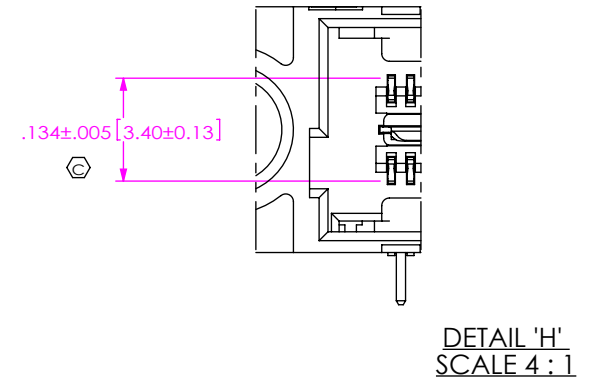


TABLE 6: PLATING SPECIFICATIONS

	CONTACT	CONTACT	GROUND PLANE	PCX CONTACTS
-SL	C-186-01-SL: 10µ" GOLD CONTACT, MATTE TIN TAIL	C-187-01-SL: 10µ" GOLD CONTACT, MATTE TIN TAIL	IM-1G21-XX-L: 10µ" GOLD CONTACT, MATTE TIN TAIL	C-79-XX-L: 10µ" GOLD CONTACT, MATTE TIN TAIL
-S	C-186-01-S: 30µ" GOLD CONTACT, MATTE TIN TAIL	C-187-01-S: 30µ" GOLD CONTACT, MATTE TIN TAIL	IM-1G21-XX-L: 10µ" GOLD CONTACT, MATTE TIN TAIL	C-79-XX-S: 30µ" GOLD CONTACT, MATTE TIN TAIL
-L	C-186-01-L: 10µ" GOLD CONTACT, 3µ" GOLD TAIL	C-187-01-L: 10µ" GOLD CONTACT, 3µ" GOLD TAIL	IM-1G21-XX-L: 10µ" GOLD CONTACT, MATTE TIN TAIL	C-79-XX-L: 10µ" GOLD CONTACT, MATTE TIN TAIL
-H	C-186-01-H: 30µ" GOLD CONTACT, 3µ" GOLD TAIL	C-187-01-H: 30µ" GOLD CONTACT, 3µ" GOLD TAIL	IM-1G21-XX-L: 10µ" GOLD CONTACT, MATTE TIN TAIL	C-79-XX-H: 50µ" GOLD CONTACT, 3µ" LIGHT GOLD TAIL

PROPRIETARY NOTE
THIS DOCUMENT CONTAINS CONFIDENTIAL AND PROPRIETARY INFORMATION AND ALL DESIGN, MANUFACTURING, REPRODUCTION, USE, PATENT RIGHTS AND SALES RIGHTS ARE EXPRESSLY RESERVED BY SAMTEC, INC. THIS DOCUMENT SHALL NOT BE DISCLOSED, IN WHOLE OR PART, TO ANY UNAUTHORIZED PERSON OR ENTITY NOR REPRODUCED, TRANSFERRED OR INCORPORATED IN ANY OTHER PROJECT IN ANY MANNER WITHOUT THE EXPRESS WRITTEN CONSENT OF SAMTEC, INC.

DO NOT SCALE DRAWING

SHEET SCALE: 1:1



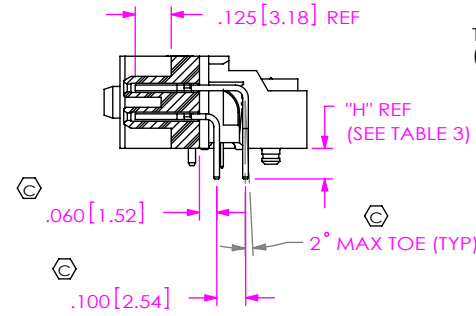
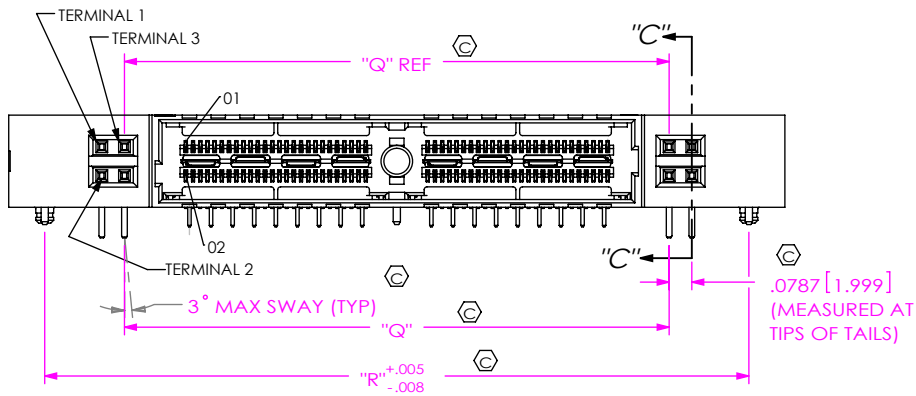
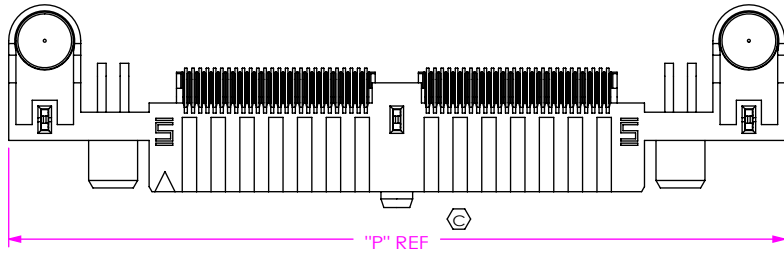
520 PARK EAST BLVD, NEW ALBANY, IN 47150
PHONE: 812-944-6733 FAX: 812-948-5047
e-Mail info@SAMTEC.com code 55322

DESCRIPTION:
.635mm DUAL ROW RIGHT ANGLE SOCKET ASSEMBLY

DWG. NO.
QFS-XXX-XX-XX-D-RA-XXX-XX

BY: CLAY W 8/25/2006 SHEET 4 OF 6

FIG 2
(QFS-052-01-XX-D-RA-PC4 SHOWN)
(SAME AS FIG 1, DIFFERENT AS SHOWN)



SECTION "C"- "C"
SCALE 1.5:1

TABLE 3

LEAD STYLE	TERMINAL 1	TERMINAL 2	"D"	"E"	"F"	"G"	"H"
-01	C-79-28-XX	C-79-29-XX	.261 [6.63]	.484 [12.29]	.461 [11.71]	.684 [17.37]	.106 [2.69]
-02	C-79-20-XX	C-79-20A-XX	.287 [7.29]	.510 [12.95]	.487 [12.37]	.710 [18.03]	.132 [3.35]

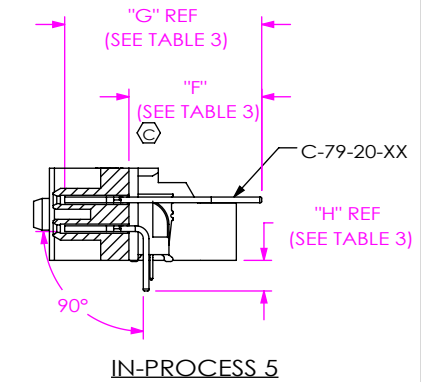
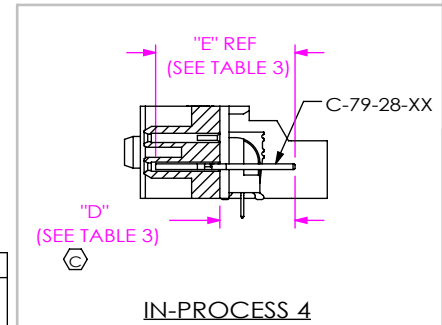
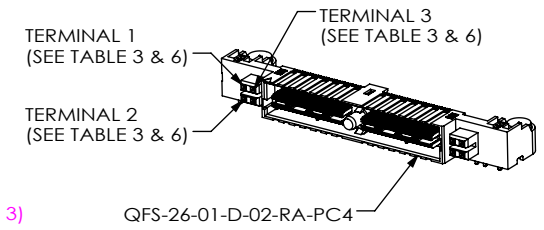


FIG 3
(QFS-052-01-XX-D-RA-PC8 SHOWN)
(SAME AS FIG 2, DIFFERENT AS SHOWN)

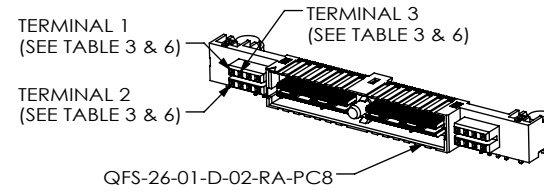
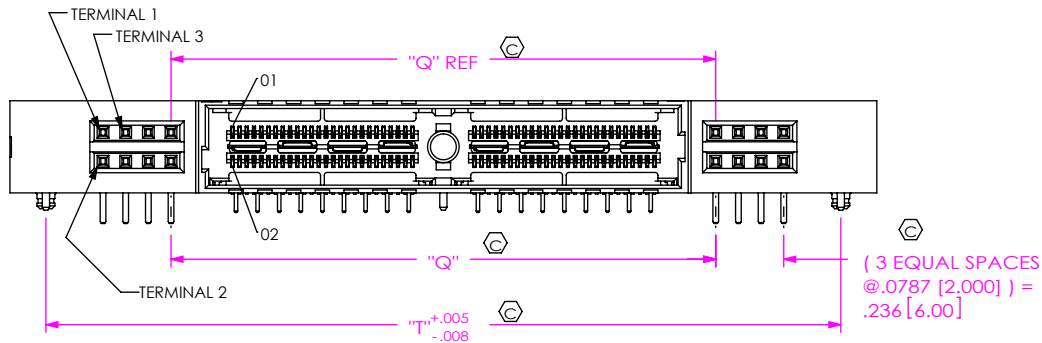
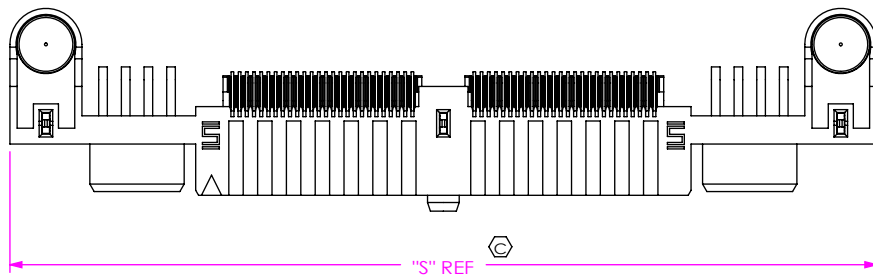


TABLE 7

POSITION	"P"	"Q"	"R"	"S"	"T"
-026	1.855 [47.12]	1.051 [26.70]	1.605 [40.77]	2.170 [55.12]	1.920 [48.77]
-052	2.695 [68.45]	1.891 [48.03]	2.445 [62.10]	3.010 [76.45]	2.760 [70.10]
-078	3.535 [89.79]	2.731 [69.37]	3.285 [83.44]	3.850 [97.79]	3.600 [91.44]
-104	4.375 [111.13]	3.571 [90.70]	4.125 [104.78]	4.690 [119.13]	4.440 [112.78]

PROPRIETARY NOTE
THIS DOCUMENT CONTAINS CONFIDENTIAL AND PROPRIETARY INFORMATION AND ALL DESIGN, MANUFACTURING, REPRODUCTION, USE, PATENT RIGHTS AND SALES RIGHTS ARE EXPRESSLY RESERVED BY SAMTEC, INC. THIS DOCUMENT SHALL NOT BE DISCLOSED, IN WHOLE OR PART, TO ANY UNAUTHORIZED PERSON OR ENTITY NOR REPRODUCED, TRANSFERRED OR INCORPORATED IN ANY OTHER PROJECT IN ANY MANNER WITHOUT THE EXPRESS WRITTEN CONSENT OF SAMTEC, INC.

DO NOT SCALE DRAWING
SHEET SCALE: 1.5:1



520 PARK EAST BLVD, NEW ALBANY, IN 47150
PHONE: 812-944-6733 FAX: 812-948-5047
e-Mail info@SAMTEC.com code 55322

DESCRIPTION:
.635mm DUAL ROW RIGHT ANGLE SOCKET ASSEMBLY
DWG. NO.
QFS-XXX-XX-XX-D-RA-XXX-XX
BY: CLAY W 8/25/2006 SHEET 5 OF 6

TABLE 4			
	STANDARD & -MG	-PC4	-PC8
POS.	"U"		
-026	0.511 [12.98]	0.774 [19.66]	0.931 [23.65]
-052	0.931 [23.65]	1.194 [30.33]	1.351 [34.32]
-078	1.351 [34.32]	1.614 [41.00]	1.771 [44.98]
-104	1.771 [44.98]	2.033 [51.65]	2.091 [53.11]

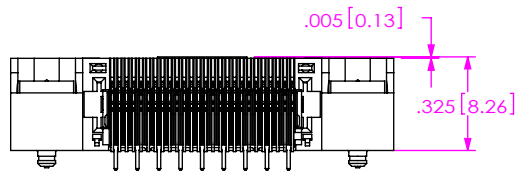
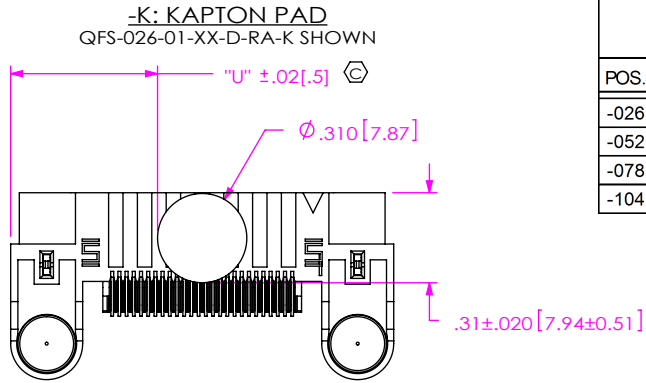
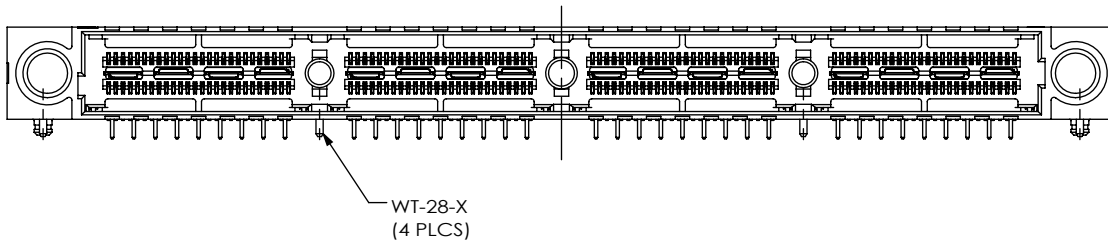
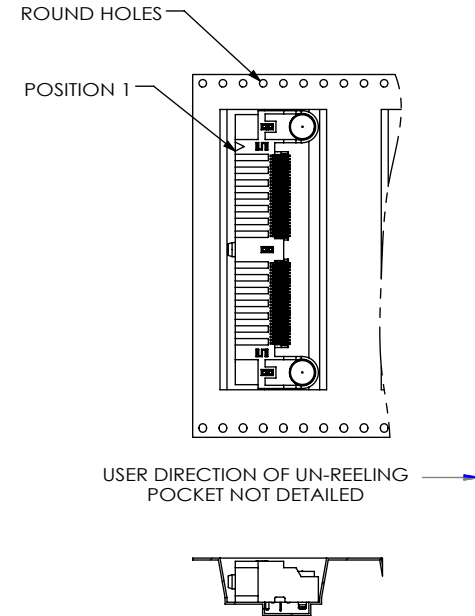


FIG 4
(QFS-104-01-XX-D-RA SHOWN)
(SAME AS FIG 1, DIFFERENT AS SHOWN)



PACKAGING VIEW
-TR: TAPE & REEL OPTION
(QFS-052-01-XX-D-RA-TR SHOWN)



PROPRIETARY NOTE
THIS DOCUMENT CONTAINS CONFIDENTIAL AND PROPRIETARY INFORMATION AND ALL DESIGN, MANUFACTURING, REPRODUCTION, USE, PATENT RIGHTS AND SALES RIGHTS ARE EXPRESSLY RESERVED BY SAMTEC, INC. THIS DOCUMENT SHALL NOT BE DISCLOSED, IN WHOLE OR PART, TO ANY UNAUTHORIZED PERSON OR ENTITY NOR REPRODUCED, TRANSFERRED OR INCORPORATED IN ANY OTHER PROJECT IN ANY MANNER WITHOUT THE EXPRESS WRITTEN CONSENT OF SAMTEC, INC.

DO NOT SCALE DRAWING

SHEET SCALE: 6:1



520 PARK EAST BLVD, NEW ALBANY, IN 47150
PHONE: 812-944-6733 FAX: 812-948-5047
e-Mail: info@SAMTEC.com code 55322

DESCRIPTION:
.635mm DUAL ROW RIGHT ANGLE SOCKET ASSEMBLY

DWG. NO.
QFS-XXX-XX-XX-D-RA-XXX-XX

BY: CLAY W 8/25/2006 SHEET 6 OF 6