

**LEVER BODY**

Glass-fibre reinforced polyamide based (PA) technopolymer, grey-black colour, matte finish.

**PUSH BUTTON**

Technopolymer in grey-black or orange colours, glossy finish.

**STANDARD EXECUTIONS**

Glass-fibre reinforced technopolymer clamping element with retaining pin, black colour, with knurling on the protruding part to make initial tightening easier. AISI 302 stainless steel return spring.

- **MRT-B:** brass boss, threaded blind hole.
- **MRT-SST:** AISI 303 stainless steel boss, threaded blind hole.
- **MRT-p:** zinc-plated steel threaded stud, chamfered flat end ISO 4753 (see Technical Data on page A-10).
- **MRT-SST-p:** AISI 303 stainless steel threaded stud, chamfered flat end ISO 4753 (see Technical Data on page A-10).

**FEATURES AND APPLICATIONS**

Flat adjustable handle, open configuration to avoid any deposit of unhygienic residues or scraps and dirt.

Particularly suitable when the lever turning angle is limited owing to lack of space.

Compared to other types of adjustable handles with metal retaining screw this solution offers:

- absolute electric insulation for the operator
- no visible steel parts subject to rust
- more comfortable lever release.

**STRESS RESISTANCE**

See ERX. on page 324.

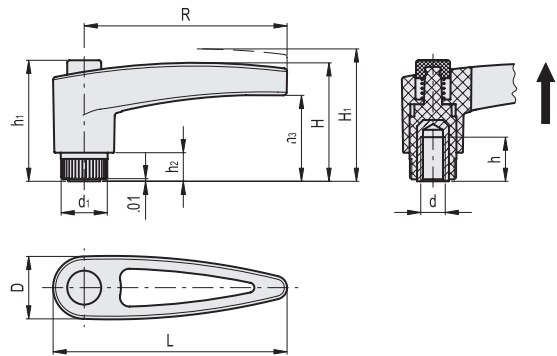
**INSTRUCTIONS OF USE**

For clamping, lift the lever to disengage the clamping device teeth and bring it back to start position. By releasing the lever, the return spring automatically engages the teeth.



ELESA Original design

**MRT-B**  
**MRT-SST**



\* Complete with colour index, example: 940110-C1 MRT.42-B-10-24-C1

**C1**  
RAL7021

**C2**  
RAL2004

**INCH**

**MRT-B**

Code	Description	R	d28	L	D	H	H1	h	h1	h2	h3	d1	Teeth nr	⚖️
940110-*	MRT.42-B-10-24-*	1.69	10-24	2.01	0.63	1.1	1.24	0.39	1.14	0.24	0.85	0.47	18	0.02
940111-*	MRT.42-B-10-32-*	1.69	10-32	2.01	0.63	1.1	1.24	0.39	1.14	0.24	0.85	0.47	18	0.02
940112-*	MRT.42-B-1/4-20-*	1.69	1/4-20	2.01	0.63	1.1	1.24	0.39	1.14	0.24	0.85	0.47	18	0.02
940121-*	MRT.65-B-1/4-20-*	2.54	1/4-20	2.93	0.79	1.46	1.61	0.47	1.5	0.35	1.06	0.59	20	0.05
940122-*	MRT.65-B-5/16-18-*	2.54	5/16-18	2.93	0.79	1.46	1.61	0.51	1.5	0.35	1.06	0.59	20	0.05
940131-*	MRT.80-B-5/16-18-*	3.13	5/16-18	3.62	0.98	1.77	1.93	0.71	1.85	0.43	1.36	0.73	24	0.11
940132-*	MRT.80-B-3/8-16-*	3.13	3/8-16	3.62	0.98	1.77	1.93	0.67	1.85	0.43	1.36	0.73	24	0.1
940133-*	MRT.80-B-1/2-13-*	3.13	1/2-13	3.62	0.98	1.77	1.93	0.67	1.85	0.43	1.36	0.73	24	0.1

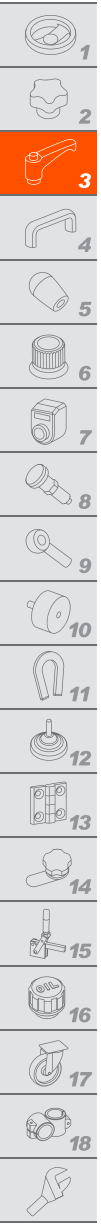
**MRT-SST**

Code	Description	R	d28	L	D	H	H1	h	h1	h2	h3	d1	Teeth nr	⚖️
940613-*	MRT.42-SST-10-24-*	1.69	10-24	2.01	0.63	1.1	1.24	0.39	1.14	0.24	0.85	0.47	18	0.02
940616-*	MRT.42-SST-1/4-20-*	1.69	1/4-20	2.01	0.63	1.1	1.24	0.39	1.14	0.24	0.85	0.47	18	0.02
940622-*	MRT.65-SST-5/16-18-*	2.54	5/16-18	2.93	0.79	1.46	1.61	0.51	1.5	0.35	1.06	0.59	20	0.05
940626-*	MRT.80-SST-3/8-16-*	3.13	3/8-16	3.62	0.98	1.77	1.93	0.67	1.85	0.43	1.36	0.73	24	0.09

**INOX**  
STAINLESS  
STEEL

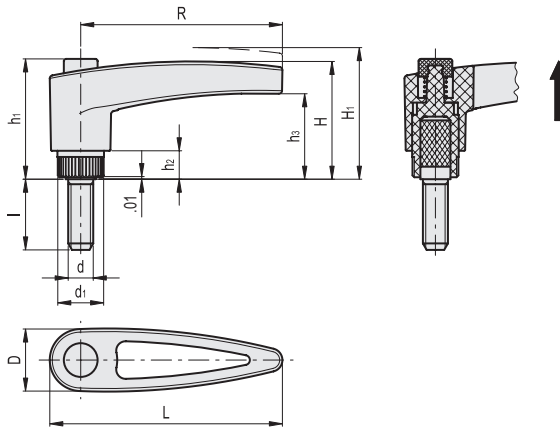
**INCH**





Clamping levers

MRT-p  
MRT-SST-p



\* Complete with colour index, example: 940291-C1 MRT.42-p-10-24x1/2-C1

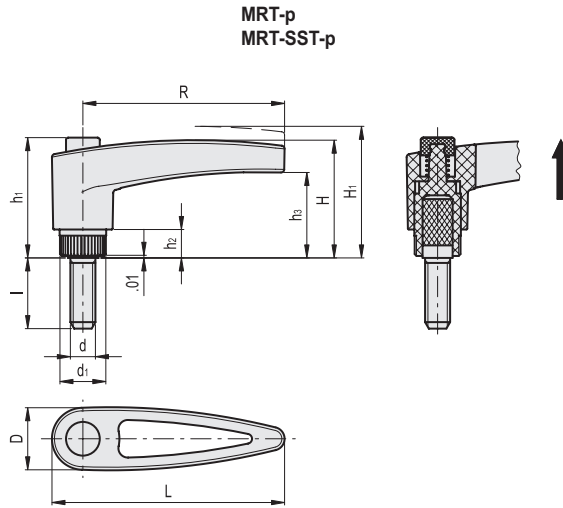
**C1**  
RAL7021

**C2**  
RAL2004

**INCH**

MRT-p

Code	Description	R	d2A	L	D	H	H1	h1	h2	h3	d1	l	Teeth nr	
940291.*	MRT.42-p-10-24x1/2-*	1.69	10-24	2.01	0.63	1.1	1.24	1.14	0.24	0.85	0.47	0.500	18	0.03
940293.*	MRT.42-p-10-24x5/8-*	1.69	10-24	2.01	0.63	1.1	1.24	1.14	0.24	0.85	0.47	0.625	18	0.03
940295.*	MRT.42-p-10-24x3/4-*	1.69	10-24	2.01	0.63	1.1	1.24	1.14	0.24	0.85	0.47	0.750	18	0.03
940297.*	MRT.42-p-10-24x1-*	1.69	10-24	2.01	0.63	1.1	1.24	1.14	0.24	0.85	0.47	1.000	18	0.04
940301.*	MRT.42-p-10-32x1/2-*	1.69	10-32	2.01	0.63	1.1	1.24	1.14	0.24	0.85	0.47	0.500	18	0.04
940303.*	MRT.42-p-10-32x3/4-*	1.69	10-32	2.01	0.63	1.1	1.24	1.14	0.24	0.85	0.47	0.750	18	0.04
940311.*	MRT.42-p-1/4-20x1/2-*	1.69	1/4-20	2.01	0.63	1.1	1.24	1.14	0.24	0.85	0.47	0.500	18	0.03
940312.*	MRT.42-p-1/4-20x5/8-*	1.69	1/4-20	2.01	0.63	1.1	1.24	1.14	0.24	0.85	0.47	0.625	18	0.04
940313.*	MRT.42-p-1/4-20x3/4-*	1.69	1/4-20	2.01	0.63	1.1	1.24	1.14	0.24	0.85	0.47	0.750	18	0.04
940314.*	MRT.42-p-1/4-20x1-*	1.69	1/4-20	2.01	0.63	1.1	1.24	1.14	0.24	0.85	0.47	1.000	18	0.04
940317.*	MRT.42-p-1/4-20x1 1/2-*	1.69	1/4-20	2.01	0.63	1.1	1.24	1.14	0.24	0.85	0.47	1.500	18	0.05
940331.*	MRT.65-p-1/4-20x1/2-*	2.54	1/4-20	2.93	0.79	1.46	1.61	1.5	0.35	1.06	0.59	0.500	20	0.06
940333.*	MRT.65-p-1/4-20x5/8-*	2.54	1/4-20	2.93	0.79	1.46	1.61	1.5	0.35	1.06	0.59	0.625	20	0.06
940335.*	MRT.65-p-1/4-20x3/4-*	2.54	1/4-20	2.93	0.79	1.46	1.61	1.5	0.35	1.06	0.59	0.750	20	0.07
940337.*	MRT.65-p-1/4-20x1-*	2.54	1/4-20	2.93	0.79	1.46	1.61	1.5	0.35	1.06	0.59	1.000	20	0.07
940339.*	MRT.65-p-1/4-20x1 1/4-*	2.54	1/4-20	2.93	0.79	1.46	1.61	1.5	0.35	1.06	0.59	1.250	20	0.07
940341.*	MRT.65-p-1/4-20x1 1/2-*	2.54	1/4-20	2.93	0.79	1.46	1.61	1.5	0.35	1.06	0.59	1.500	20	0.08
940349.*	MRT.65-p-5/16-18x1/2-*	2.54	5/16-18	2.93	0.79	1.46	1.61	1.5	0.35	1.06	0.59	0.500	20	0.07
940351.*	MRT.65-p-5/16-18x5/8-*	2.54	5/16-18	2.93	0.79	1.46	1.61	1.5	0.35	1.06	0.59	0.625	20	0.07
940352.*	MRT.65-p-5/16-18x3/4-*	2.54	5/16-18	2.93	0.79	1.46	1.61	1.5	0.35	1.06	0.59	0.750	20	0.08
940353.*	MRT.65-p-5/16-18x1-*	2.54	5/16-18	2.93	0.79	1.46	1.61	1.5	0.35	1.06	0.59	1.000	20	0.07
940354.*	MRT.65-p-5/16-18x1 1/4-*	2.54	5/16-18	2.93	0.79	1.46	1.61	1.5	0.35	1.06	0.59	1.250	20	0.07
940356.*	MRT.65-p-5/16-18x1 1/2-*	2.54	5/16-18	2.93	0.79	1.46	1.61	1.5	0.35	1.06	0.59	1.500	20	0.08
940357.*	MRT.65-p-5/16-18x2-*	2.54	5/16-18	2.93	0.79	1.46	1.61	1.5	0.35	1.06	0.59	2.000	20	0.08
940361.*	MRT.65-p-3/8-16x3/4-*	2.54	3/8-16	2.93	0.79	1.46	1.61	1.5	0.35	1.06	0.59	0.750	20	0.09
940365.*	MRT.65-p-3/8-16x1 1/4-*	2.54	3/8-16	2.93	0.79	1.46	1.61	1.5	0.35	1.06	0.59	1.250	20	0.09
940381.*	MRT.80-p-3/8-16x1-*	3.13	3/8-16	3.62	0.98	1.77	1.93	1.85	0.43	1.36	0.73	1.000	24	0.1
940383.*	MRT.80-p-3/8-16x1 1/4-*	3.13	3/8-16	3.62	0.98	1.77	1.93	1.85	0.43	1.36	0.73	1.250	24	0.1
940385.*	MRT.80-p-3/8-16x1 1/2-*	3.13	3/8-16	3.62	0.98	1.77	1.93	1.85	0.43	1.36	0.73	1.500	24	0.11
940386.*	MRT.80-p-3/8-16x2-*	3.13	3/8-16	3.62	0.98	1.77	1.93	1.85	0.43	1.36	0.73	2.000	24	0.15
940387.*	MRT.80-p-3/8-16x2 1/2-*	3.13	3/8-16	3.62	0.98	1.77	1.93	1.85	0.43	1.36	0.73	2.500	24	0.19
940403.*	MRT.80-p-1/2-13x1 1/4-*	3.13	1/2-13	3.62	0.98	1.77	1.93	1.85	0.43	1.36	0.73	1.250	24	0.17
940405.*	MRT.80-p-1/2-13x1 1/2-*	3.13	1/2-13	3.62	0.98	1.77	1.93	1.85	0.43	1.36	0.73	1.500	24	0.18
940407.*	MRT.80-p-1/2-13x2-*	3.13	1/2-13	3.62	0.98	1.77	1.93	1.85	0.43	1.36	0.73	2.000	24	0.19



\* Complete with colour index, example: 940663-C1 MRT.42-SST-p-10-24x5/8-C1

**C1**  
RAL7021

**C2**  
RAL2004

MRT-SST-p



Code	Description	R	d2A	L	D	H	H1	h1	h2	h3	d1	l	Teeth nr	⚖️
940663-*	MRT.42-SST-p-10-24x5/8-*	1.69	10-24	2.01	0.63	1.1	1.24	1.14	0.24	0.85	0.47	0.625	18	0.02
940665-*	MRT.42-SST-p-10-32x3/4-*	1.69	10-32	2.01	0.63	1.1	1.24	1.14	0.24	0.85	0.47	0.750	18	0.03
940670-*	MRT.42-SST-p-1/4-20x1/2-*	1.69	1/4-20	2.01	0.63	1.1	1.24	1.14	0.24	0.85	0.47	0.500	18	0.03
940671-*	MRT.42-SST-p-1/4-20x5/8-*	1.69	1/4-20	2.01	0.63	1.1	1.24	1.14	0.24	0.85	0.47	0.625	18	0.04
940672-*	MRT.42-SST-p-1/4-20x3/4-*	1.69	1/4-20	2.01	0.63	1.1	1.24	1.14	0.24	0.85	0.47	0.750	18	0.04
940673-*	MRT.42-SST-p-1/4-20x1-*	1.69	1/4-20	2.01	0.63	1.1	1.24	1.14	0.24	0.85	0.47	1.000	18	0.04
940681-*	MRT.65-SST-p-1/4-20x1/2-*	2.54	1/4-20	2.93	0.79	1.46	1.61	1.5	0.35	1.06	0.59	0.500	20	0.06
940683-*	MRT.65-SST-p-1/4-20x5/8-*	2.54	1/4-20	2.93	0.79	1.46	1.61	1.5	0.35	1.06	0.59	0.625	20	0.07
940685-*	MRT.65-SST-p-1/4-20x3/4-*	2.54	1/4-20	2.93	0.79	1.46	1.61	1.5	0.35	1.06	0.59	0.750	20	0.07
940691-*	MRT.65-SST-p-5/16-18x5/8-*	2.54	5/16-18	2.93	0.79	1.46	1.61	1.5	0.35	1.06	0.59	0.625	20	0.07
940692-*	MRT.65-SST-p-5/16-18x3/4-*	2.54	5/16-18	2.93	0.79	1.46	1.61	1.5	0.35	1.06	0.59	0.750	20	0.08
940693-*	MRT.65-SST-p-5/16-18x1-*	2.54	5/16-18	2.93	0.79	1.46	1.61	1.5	0.35	1.06	0.59	1.000	20	0.08
940694-*	MRT.65-SST-p-5/16-18x1¼-*	2.54	5/16-18	2.93	0.79	1.46	1.61	1.5	0.35	1.06	0.59	1.250	20	0.09
940695-*	MRT.65-SST-p-5/16-18x1½-*	2.54	5/16-18	2.93	0.79	1.46	1.61	1.5	0.35	1.06	0.59	1.500	20	0.09
940697-*	MRT.65-SST-p-3/8-16x3/4-*	2.54	3/8-16	2.93	0.79	1.46	1.61	1.5	0.35	1.06	0.59	0.750	20	0.09
940699-*	MRT.65-SST-p-3/8-16x1¼-*	2.54	3/8-16	2.93	0.79	1.46	1.61	1.5	0.35	1.06	0.59	1.250	20	0.09
940701-*	MRT.80-SST-p-3/8-16x3/4-*	3.13	3/8-16	3.62	0.98	1.77	1.93	1.85	0.43	1.36	0.73	0.750	24	0.15
940702-*	MRT.80-SST-p-3/8-16x1-*	3.13	3/8-16	3.62	0.98	1.77	1.93	1.85	0.43	1.36	0.73	1.000	24	0.15
940703-*	MRT.80-SST-p-3/8-16x1¼-*	3.13	3/8-16	3.62	0.98	1.77	1.93	1.85	0.43	1.36	0.73	1.250	24	0.16
940704-*	MRT.80-SST-p-3/8-16x1½-*	3.13	3/8-16	3.62	0.98	1.77	1.93	1.85	0.43	1.36	0.73	1.500	24	0.17
940705-*	MRT.80-SST-p-3/8-16x2-*	3.13	3/8-16	3.62	0.98	1.77	1.93	1.85	0.43	1.36	0.73	2.000	24	0.18
940721-*	MRT.80-SST-p-1/2-13x1¼-*	3.13	1/2-13	3.62	0.98	1.77	1.93	1.85	0.43	1.36	0.73	1.250	24	0.18
940723-*	MRT.80-SST-p-1/2-13x1½-*	3.13	1/2-13	3.62	0.98	1.77	1.93	1.85	0.43	1.36	0.73	1.500	24	0.19
940725-*	MRT.80-SST-p-1/2-13x2-*	3.13	1/2-13	3.62	0.98	1.77	1.93	1.85	0.43	1.36	0.73	2.000	24	0.19



Clamping levers