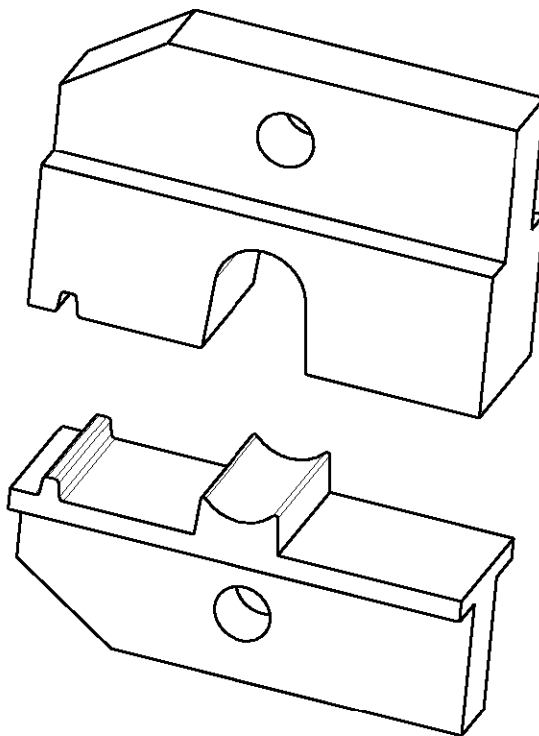


LOC	DIST	REVISIONS				
P	LTR	DESCRIPTION	DATE	DWN	APVD	
A1	-	A	new drawing	11FEB2002	-	-


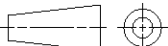
Kontakt Serie	Drahtcrimp/Wirecrimp	Betriebsanl.
Contact family	Hoehe/Height	Instr. Sheet
Buchse / Ferrule	6.6	411-18117



539694-2	1	8-539634-5	screw M4x11	Schraube M4x11	A
	1	0-519151-9	screw M4x10	Schraube M4x10	A
	QTY Stck	PN	Description	Benennung	REV

THIS DRAWING IS UNPUBLISHED. RELEASED FOR PUBLICATION 19

COPYRIGHT 19 BY TYCO ELECTRONICS CORPORATION. ALL RIGHTS RESERVED.

DIMENSIONS: mm-DIN 7168-m		DWN D. Reissig 08FEB2000	MATERIAL -	FINISH -
TOLERANCES UNLESS OTHERWISE SPECIFIED: 0 PLC ± 1 PLC ± 2 PLC ± 3 PLC ± 4 PLC ± ANGLES ±		CHK U. Reuter 08FEB2000	 tyco Electronics AMP GmbH D - 64625 Bensheim	
		APVD -		
PRODUCT SPEC -		NAME ERGOCRIMP Die Set for Ferrule		
APPLICATION SPEC -		SIZE A4	CAGE CODE 00779	DRAWING NO C=539694-2
WEIGHT -		RESTRICTED TO -		
		CUSTOMER DRAWING		
		SCALE 2:1	SHEET 1	OF 1
		REV A		