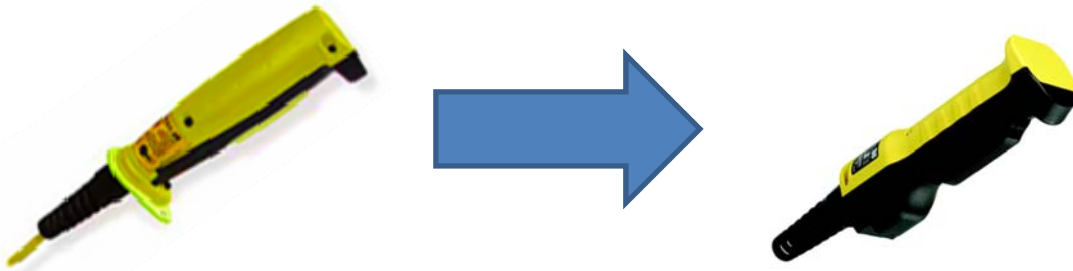


NO: SR-051 **PRODUCT:** ESD5020 Enabling Switch
DATE: September 2014 **TYPE:** Discontinuation Notice

ESD5020 Enabling Switches were Discontinued Effective July 2014; Replace with the A4EG Series



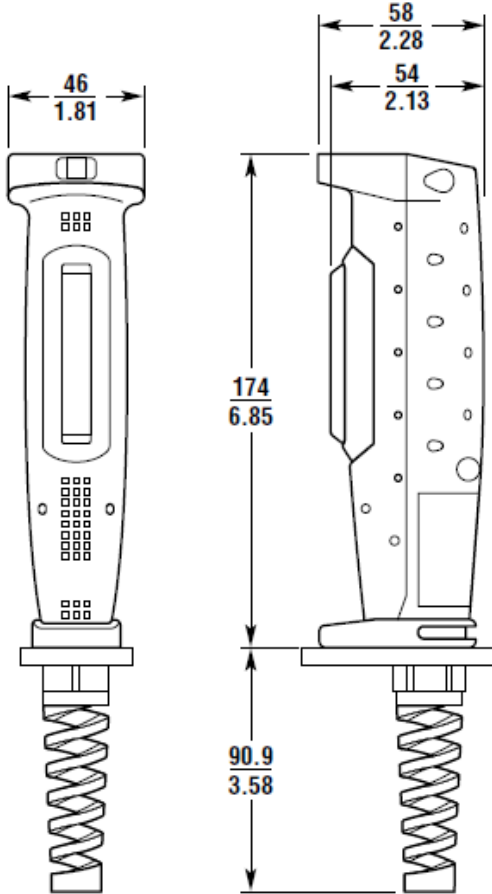
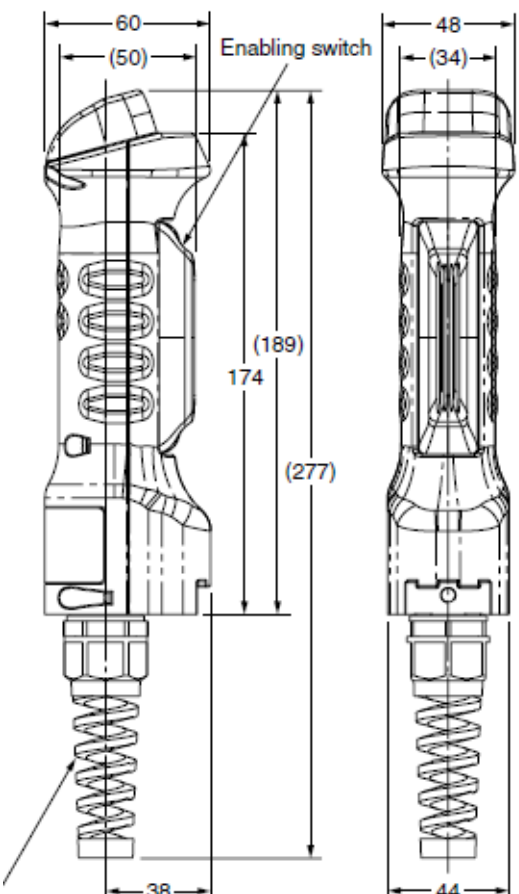
Differences

Replacement products are not supplied with cables or connectors or LED indicators. Cables must be ordered separately.

Recommended Replacements

Discontinued Models	Description	Recommended Replacement	Notes on Recommended Replacement
ESD5020-21C10L4 ESD5020-21C10C4MA ESD5020-21C10C4MB	3-Position Trigger Only with 10m cable	A4EG-C000041	Cable must be ordered separately
ESD5020-21C10L8F2 ESD5020-21C10C8MAF2	Two Function Switches with 10m cable	A4EG-BM2B041	Cable must be ordered separately
ESD5020-21C10L8L2 ESD5020-21C10C8MAL2	LED Indicators with 10m cable	A4EG-C000041	No LED indicator Cable must be ordered separately
ESD5020-21C10L12F2L2 ESD5020-21C10C12MAF2L2	LED Indicators and Two Function Switches with 10m cable	A4EG-BM2B041	No LED indicator Cable must be ordered separately
ESD5020-21CC4MA ESD5020-21CC4MB	3-Position Trigger Only with Connector	A4EG-C000041	No connector
ESD5020-21CC8MAF2	Two Function Switches with Connector	A4EG-BM2B041	No connector
ESD5020-21CC8MAL2	LED Indicators with Connector	A4EG-C000041	No LED indicator No connector
ESD5020-21CC12MAF2L2	LED Indicators and Two Function Switches with Connector	A4EG-BM2B041	No LED indicator No connector

Dimensions

Product discontinuation ESD5020	Recommended replacement A4EG
	

Specifications

Item	Product discontinuation ESD5020	Recommended replacement A4EG
Mechanical Life (Enabling Switch)	OFF-ON-OFF: 100,000 operations minimum OFF-ON: 1,000,000 operations minimum	
Electrical Life (Enabling Switch)	100,000 operations minimum at rated load	
Operating Frequency (Enabling Switch)	20 operations/minute max.	
Vibration Resistance	5 to 55 Hz, 1.5 mm amplitude	10 to 55 Hz, 1.5 mm amplitude
Shock Resistance	150 m/s ² (15G) max.	
Cable Pull Strength	20N min	30N min
Degree of Protection	IP66	IP66 (enabling switch) IP65 (pushbutton on A4EG-BM2B041 only)
Operating Temperature	-25° to 60°C	-10 to 55°C
Condition Short-Circuit Current	50 A (250 V)	100 A (EN60947-5-1)
Listings and Approvals	UL and c-UL-us listed	TUV, UL and c-UL-us listed