

4

3

2

1

THIS DRAWING IS UNPUBLISHED.

RELEASED FOR PUBLICATION

20

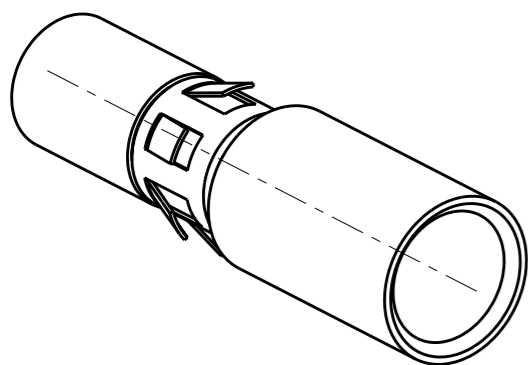
© COPYRIGHT 20

BY TYCO ELECTRONICS CORPORATION. ALL INTERNATIONAL RIGHTS RESERVED.

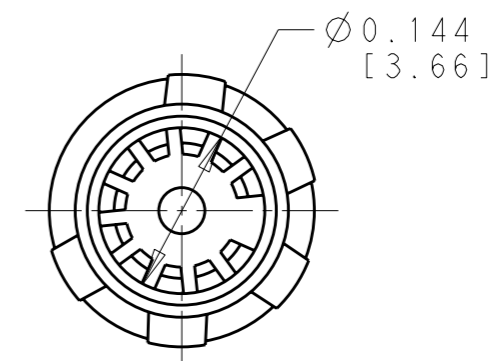
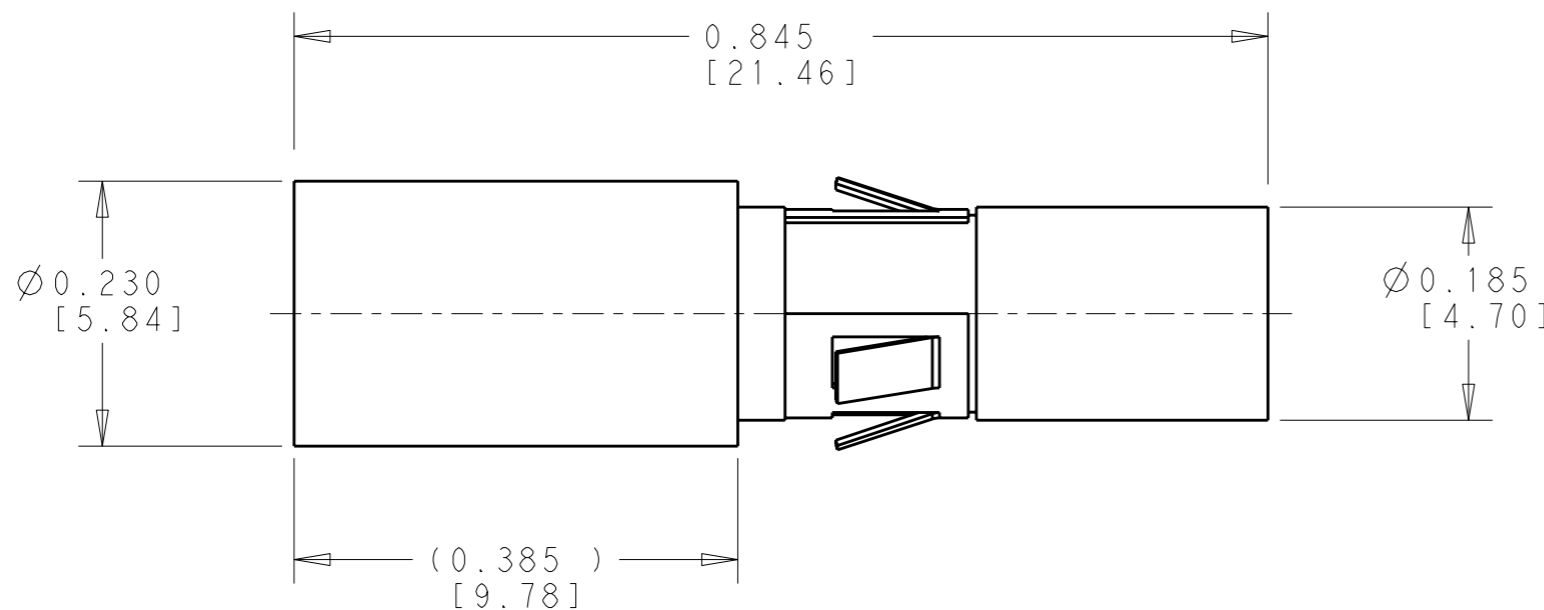
LOC
GP DIST
00

REVISIONS

P	LTR	DESCRIPTION	DATE	DWN	APVD
	1	PROPOSED DESIGN	15DEC2009	RG	GS
	2	REVISED	12FEB2010	RG	DO



SCALE 4:1



1 MATERIAL:
 SOCKET BODY: COPPER ALLOY
 RETENTION CLIP: STAINLESS STEEL
 CONTACT BAND: BERYLLIUM COPPER

2 FINISH:
 SOCKET BODY: GOLD PLATE .000030 (0.76µm) MIN THK GOLD OVER
 .000050 (1.27µm) MIN THK NICKEL
 CONTACT BAND: GOLD PLATE .000030 (0.76µm) MIN THK. OVER
 NICKEL .000040 (1.02µm) MIN THK.

3. WIRE BARREL WILL ACCEPT No.8 AWG WIRE
 4. MATES WITH P/N 1986603-1 OR 1986603-2

THIS PRINT IS
PRELIMINARY
 UNQUALIFIED PRODUCT
 CONTACT PRODUCT ENGINEERING
 BEFORE USING THIS PRINT

AS SHOWN	1986609-1
DESCRIPTION	PART NO.

THIS DRAWING IS A CONTROLLED DOCUMENT FOR TYCO ELECTRONICS CORPORATION IT IS SUBJECT TO CHANGE AND THE CONTROLLING ENGINEERING ORGANIZATION SHOULD BE CONTACTED FOR THE LATEST REVISION.		DWN R. GRZYBOWSKI 15DEC2009	Tyco Electronics Harrisburg, PA 17105-3608	
DIMENSIONS: INCHES [mm]		CHK G. STEINHAUER 15DEC2009		
TOLERANCES UNLESS OTHERWISE SPECIFIED:		APVD M. PERCHERKE 15DEC2009	NAME SOCKET POWER MODIFIED No.8 AWG	
0 PLC ±- 1 PLC ±- 2 PLC ±.02[0.5] 3 PLC ±.010[0.25] 4 PLC ±- ANGLES ±-		PRODUCT SPEC -	RESTRICTED TO -	
MATERIAL 1	FINISH 2	APPLICATION SPEC -	SIZE A3	CAGE CODE 00779
		WEIGHT -	DRAWING NO C-1986609	
		CUSTOMER DRAWING	SCALE 6:1	SHEET 1 OF 1
				REV 2