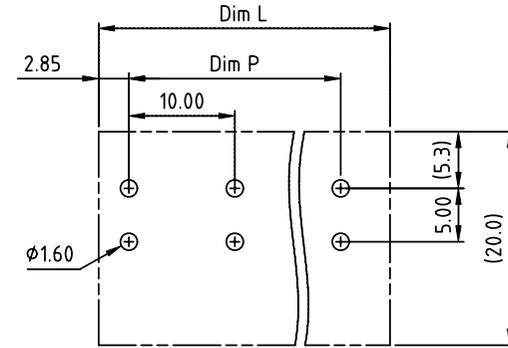
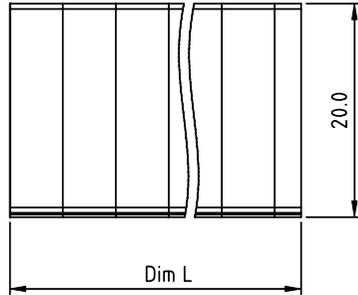


PRODUCT NUMBER	PITCH
TRxx15x100J0G	10.00mm



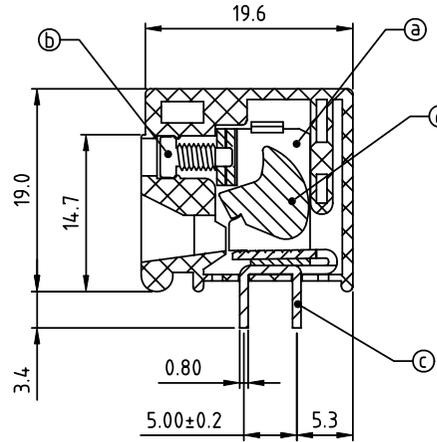
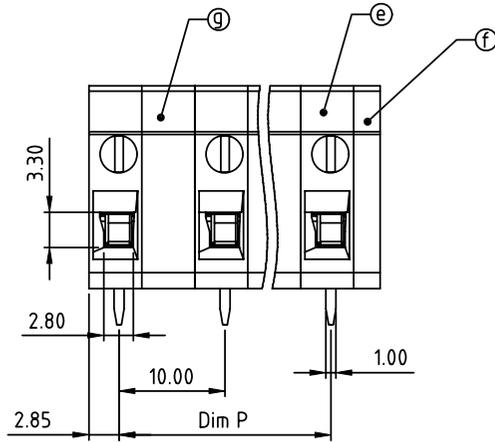
RECOMMENDED P.C.B LAYOUT
TOP VIEW

Material:

- Item ① Terminal body: steel stamping clamp Zinc plating
- Item ② Terminal screw: Steel Zinc plating "-" slot type
- Item ③ Contacts: Brass, Tin plated
- Item ④ Firm wire chunk: steel Zinc plating
- Item ⑤ Terminal housing: Thermoplastic (UL94V-0)
- Item ⑥ Terminal cover: Thermoplastic (UL94V-0)
- Item ⑦ padding block: Thermoplastic (UL94V-0)

Electrical cULus

- Voltage rating: 300VAC
- Current rating: 20A
- Wire range:
- Solid wire(AWG): 12-22
- Stranded wire(AWG): 12-22
- Torque(Lb-In): 2.4
- Screw: M2.5
- Wire strip length: 10-11mm
- Withstanding Voltage: 1.6KV
- Operating temperature: -40°C to +115°C
- Soldering temperature: 260°C±5°C/5 Sec
- Safety Approval: cULus



PART NO.: TR xx 1 5 x 1 00J0 G

N=Number of Poles
Dim L=Nx10.0-2.5
Dim P=(N-1)x10.0

Poles	2P-4P	5P-8P	9P-12P
Dim L	±0.20	±0.30	±0.40
Dim P	±0.20	±0.25	±0.30

End stackable	No. of poles	Body Color	RoHS compliant (lead<4%) In copper Alloy
0	2	Black (RAL9005)	
02	2 poles	Red (RAL3001/D)	
03	3 poles	Orange(RAL2011/P)	
...	...	4 Yellow(RAL1018/A)	
...	...	5 Green(RAL6018/T)	
12	12 poles	6 Blue (RAL5015/A)	
		8 Grey(RAL7035/D)	
		9 White(RAL1102)	
		C Green(RAL6018/U)	

mat'l. code		surface ASME Y14.5	tolerance ASME Y14.5	projection	product family	
ltr ecn no dr date		tolerances unless otherwise specified		MM	TERMINAL BLOCK	
		angles	X.±0.5	MM	title	
		X*±1*	X.X±0.3	scale	TERMINAL BLOCK	
		dr	EVIN ZHONG 040114		WIRE PROTECTOR,180D WIRE INLET	
		enrg	EVIN ZHONG 040114	FCI	dwg no	
		chr	HANKE FENG 040114		sheet 1 of 1 size	
		appd	SHI JUN 040114		TRxx15x100J0G A4	
sheet index		revision sheet	A 1	type CUSTOMER Drawing		